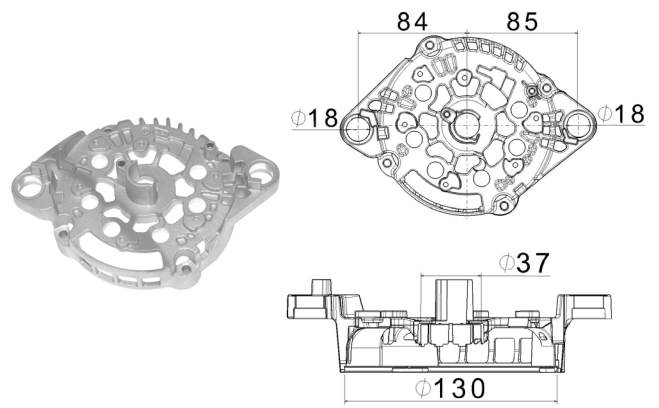


RYA-060

D.E Frame

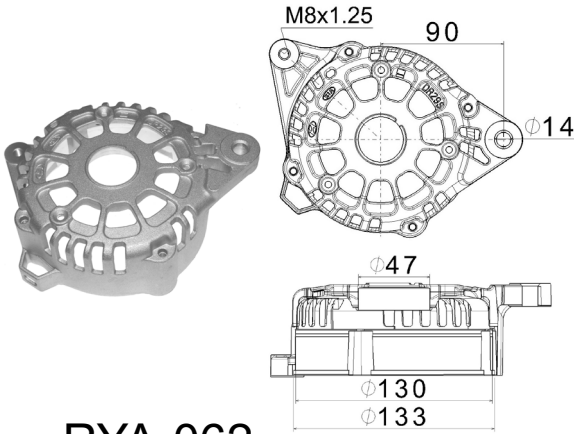
OE PN./Lester :	10528128
For :	DR29S
Mating :	RYA-061
Weight (kg):	0.36
Used on:	
NOTE:	



RYA-061

S.R.E Frame

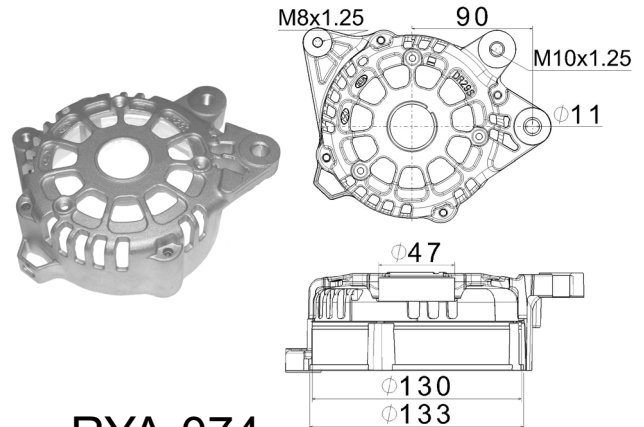
OE PN./Lester :	10528130
For :	DR29S
Mating :	RYA-060
Weight (kg):	0.40
Used on:	
NOTE:	



RYA-062

D.E Frame

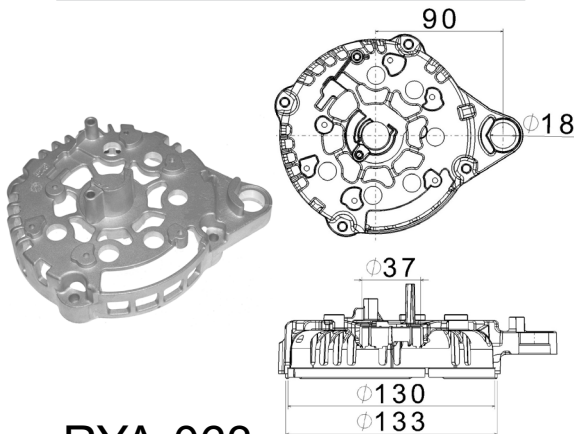
OE PN./Lester :	10535245
For :	DR29S
Mating :	RYA-063
Weight (kg):	0.47
Used on:	
NOTE:	



RYA-074

D.E Frame

OE PN./Lester :	10540196
For :	DR29S
Mating :	RYA-063
Weight (kg):	0.52
Used on:	
NOTE:	



RYA-063

S.R.E Frame

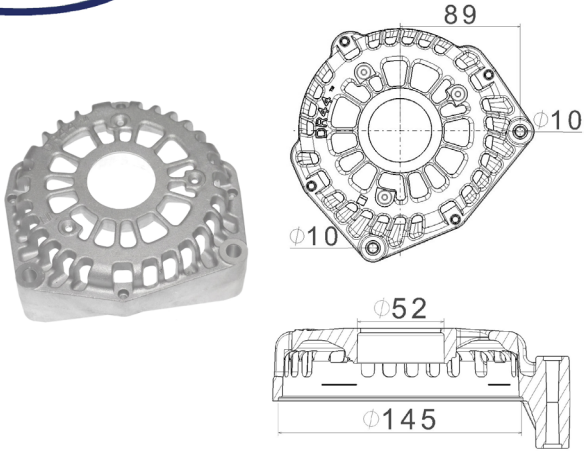
OE PN./Lester :	10535247
For :	DR29S
Mating :	RYA-062:RYA-074
Weight (kg):	0.35
Used on:	
NOTE:	



RYA-064

Heat Sink

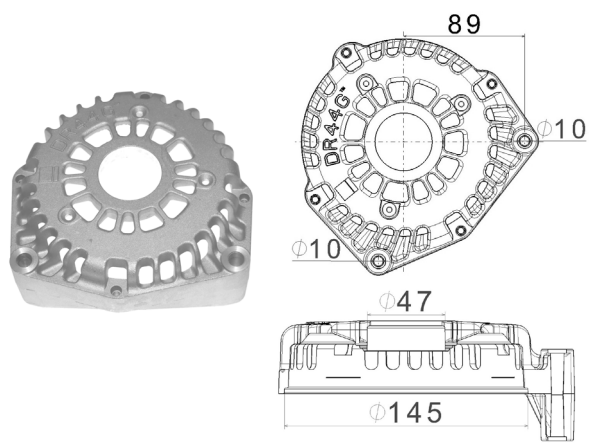
OE PN./Lester :	10535328
For :	DR29S
Mating :	
Weight (kg):	0.13
Used on:	
NOTE:	



RYA-507

D.E Frame

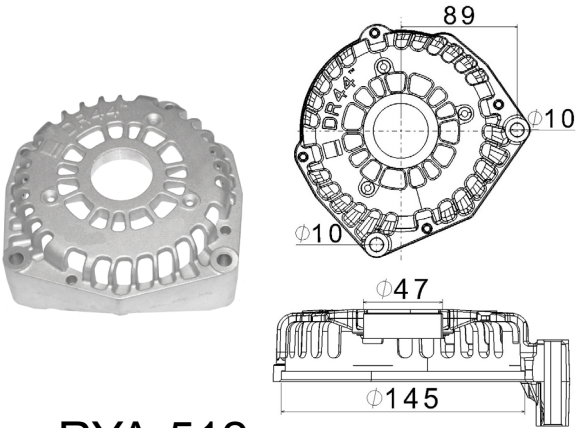
OE PN./Lester :	10513369
For :	DR44G
Mating :	RYA-505
Weight (kg):	0.68
Used on:	
NOTE:	



RYA-509

D.E Frame

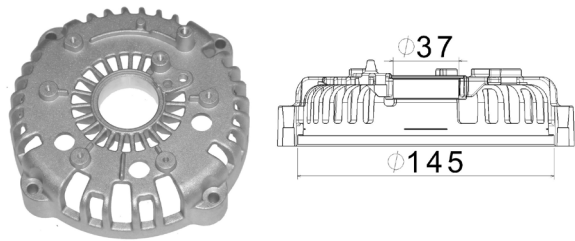
OE PN./Lester :	10503601
For :	DR44G
Mating :	RYA-505
Weight (kg):	0.67
Used on:	
NOTE:	



RYA-512

D.E Frame

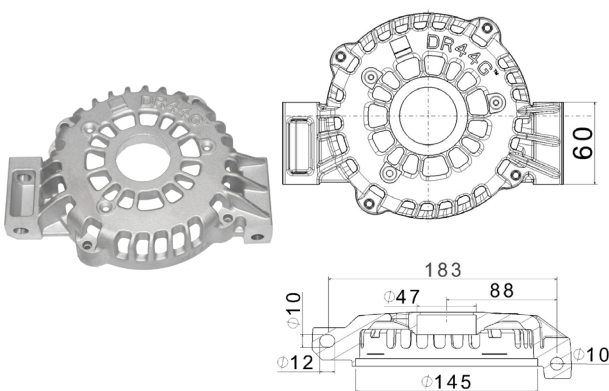
OE PN./Lester :	10511380
For :	DR44G
Mating :	RYA-505
Weight (kg):	0.64
Used on:	
NOTE:	The same casting as RYA-510



RYA-505

S.R.E Frame

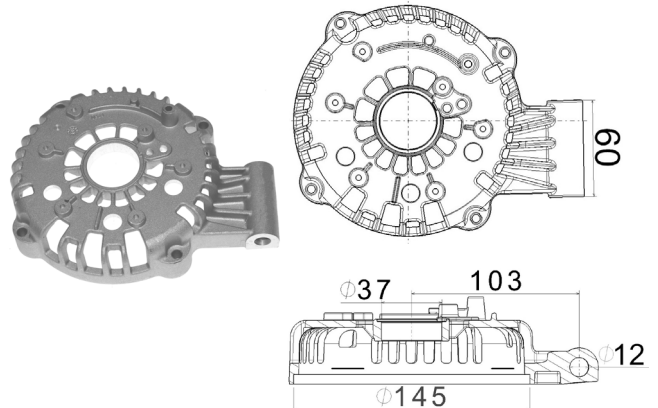
OE PN./Lester :	10503588
For :	DR44G
Mating :	RYA-507, RYA-509, RYA-512
Weight (kg):	0.36
Used on:	
NOTE:	



RYA-508

D.E Frame

OE PN./Lester :	10510819
For :	DR44G
Mating :	RYA-506
Weight (kg):	0.63
Used on:	
NOTE:	



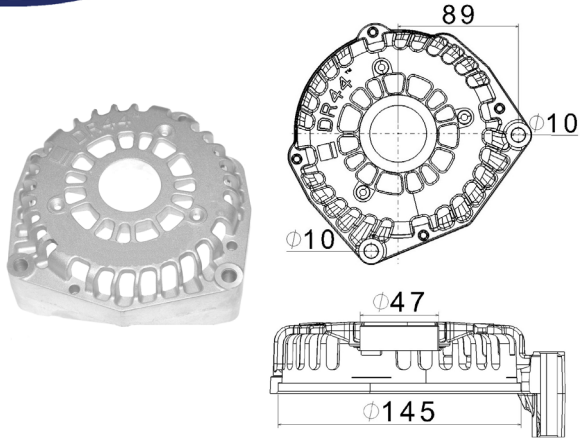
RYA-506

S.R.E Frame

OE PN./Lester :	10510822
For :	DR44G
Mating :	RYA-508
Weight (kg):	0.50
Used on:	
NOTE:	



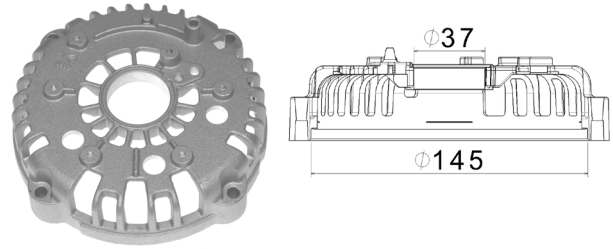
DELCO REMY ALTERNATOR



RYA-510

D.E Frame

OE PN./Lester :	10510897
For :	DR44M
Mating :	RYA-511
Weight (kg):	0.64
Used on:	
NOTE:	



RYA-511

S.R.E Frame

OE PN./Lester :	10510899
For :	DR44M
Mating :	RYA-510
Weight (kg):	0.37
Used on:	
NOTE:	The same casting as RYA-505

DR44



DELCO REMY ALTERNATOR

8/9SI



RYA-058

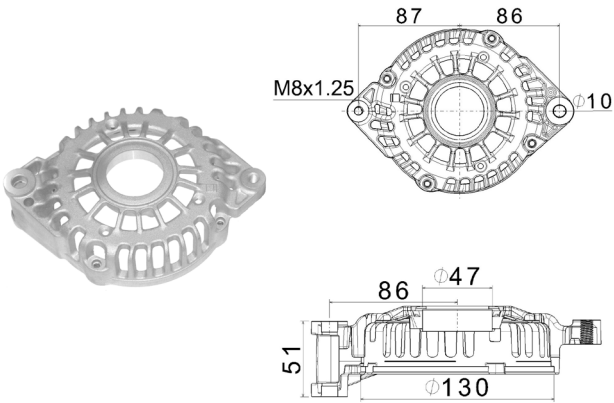
Heat Sink

OE PN./Lester :	10527636
For :	8SI
Mating :	
Weight (kg):	0.07
Used on:	
NOTE:	

RYA-059

Heat Sink

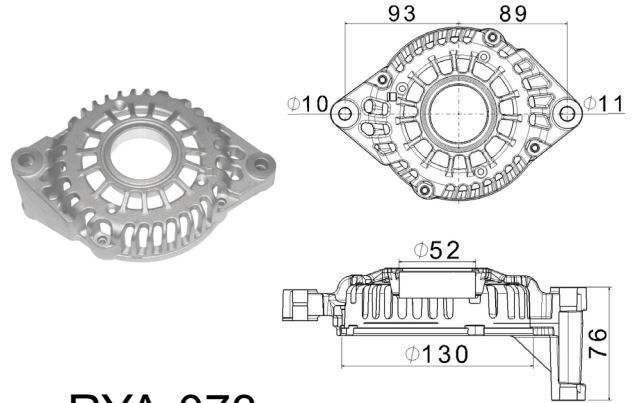
OE PN./Lester :	10530572
For :	9SI
Mating :	
Weight (kg):	0.06
Used on:	
NOTE:	



RYA-002

D.E Frame

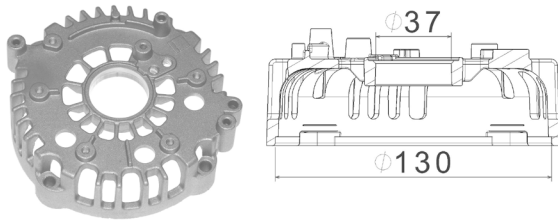
OE PN./Lester :	10520980
For :	13SI
Mating :	RYA-003
Weight (kg):	0.47
Used on:	
NOTE:	



RYA-073

D.E Frame

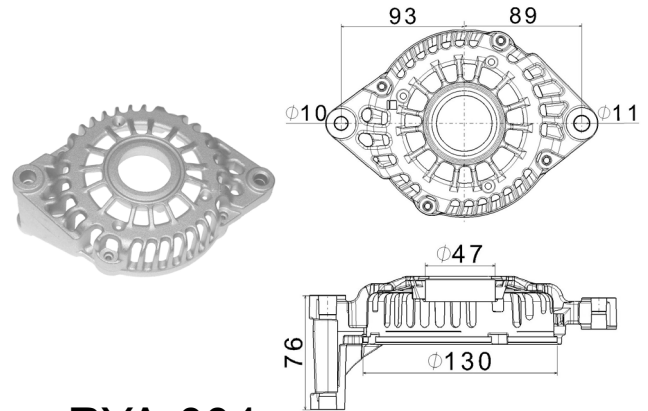
OE PN./Lester :	10540722
For :	13SI
Mating :	RYA-003
Weight (kg):	0.54
Used on:	
NOTE:	



RYA-003

S.R.E Frame

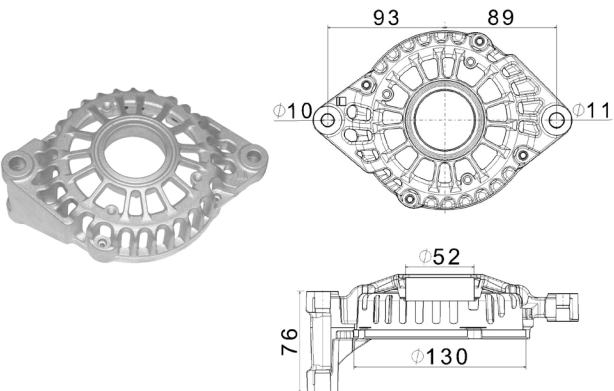
OE PN./Lester :	10520995
For :	13SI
Mating :	RYA-002;RYA-004;RYA-073
Weight (kg):	0.33
Used on:	
NOTE:	



RYA-004

D.E Frame

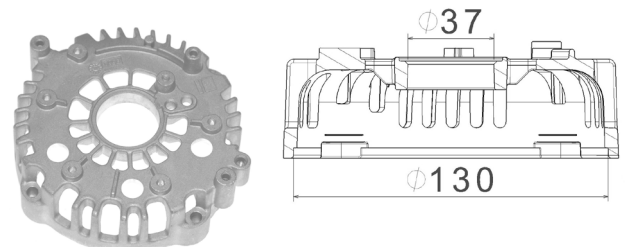
OE PN./Lester :	10520966
For :	13SI
Mating :	RYA-003
Weight (kg):	0.53
Used on:	
NOTE:	



RYA-020

D.E Frame

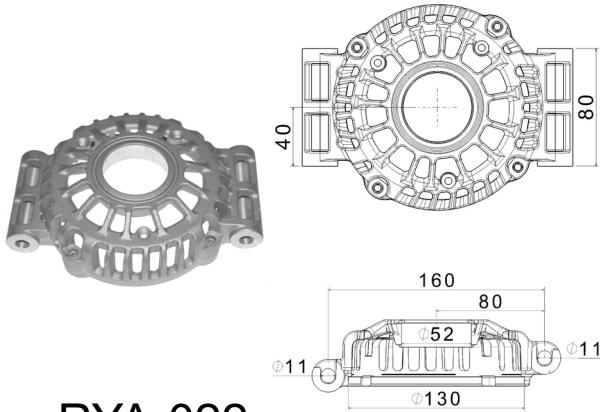
OE PN./Lester :	10522304
For :	13SI
Mating :	RYA-026
Weight (kg):	0.55
Used on:	
NOTE:	



RYA-026

S.R.E Frame

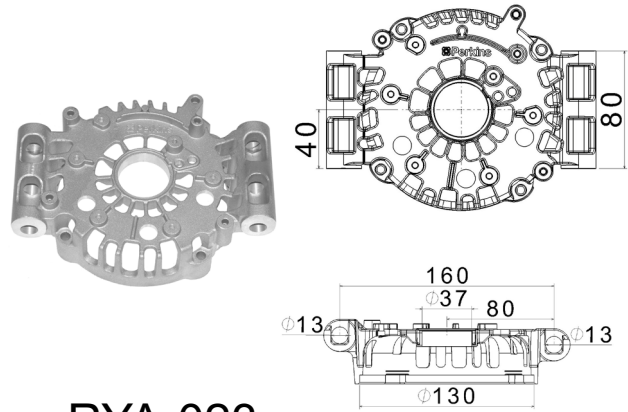
OE PN./Lester :	10522306
For :	13SI
Mating :	RYA-020
Weight (kg):	0.35
Used on:	
NOTE:	



RYA-022

D.E Frame

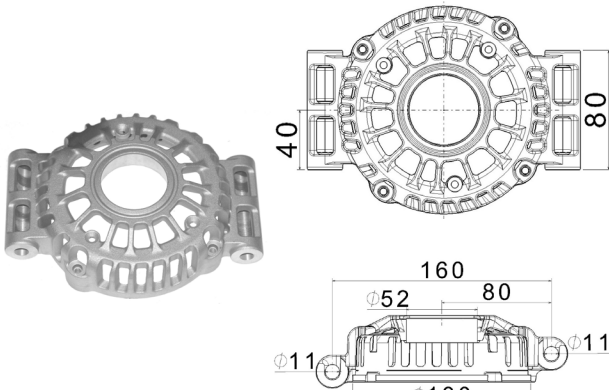
OE PN./Lester :	10521896
For :	13SI
Mating :	RYA-023
Weight (kg):	0.52
Used on:	
NOTE:	



RYA-023

S.R.E Frame

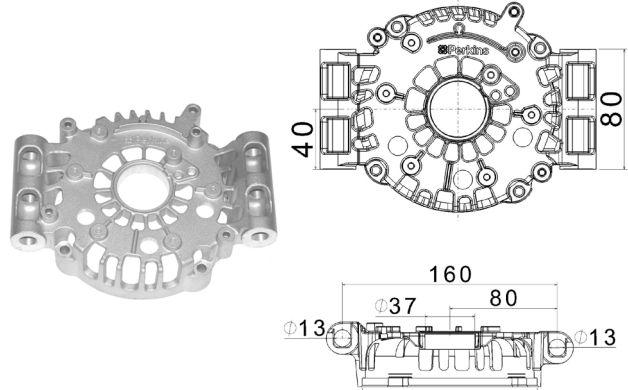
OE PN./Lester :	10521899
For :	13SI
Mating :	RYA-022
Weight (kg):	0.57
Used on:	
NOTE:	



RYA-024

D.E Frame

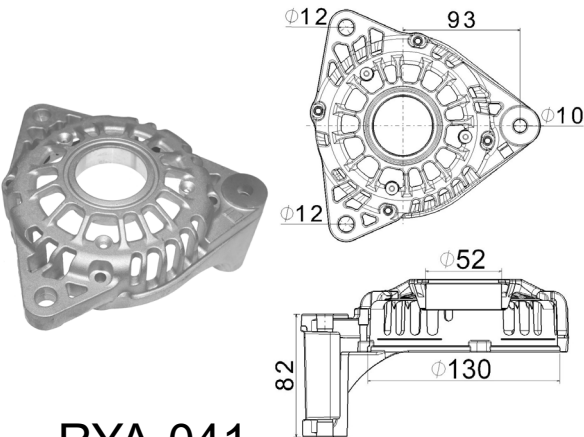
OE PN./Lester :	10523012
For :	13SI
Mating :	RYA-025
Weight (kg):	0.52
Used on:	
NOTE:	



RYA-025

S.R.E Frame

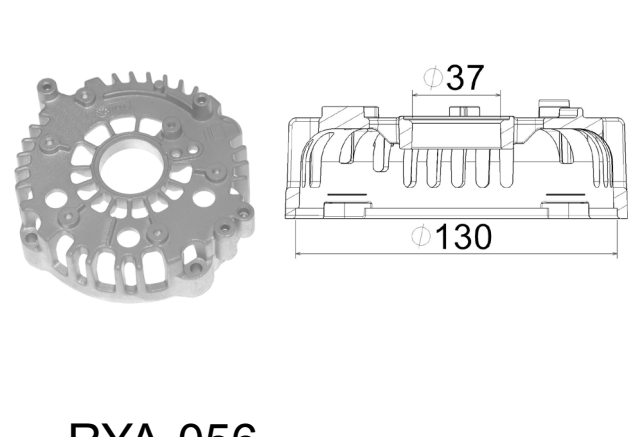
OE PN./Lester :	10523015
For :	13SI
Mating :	RYA-024
Weight (kg):	0.57
Used on:	
NOTE:	



RYA-041

D.E Frame

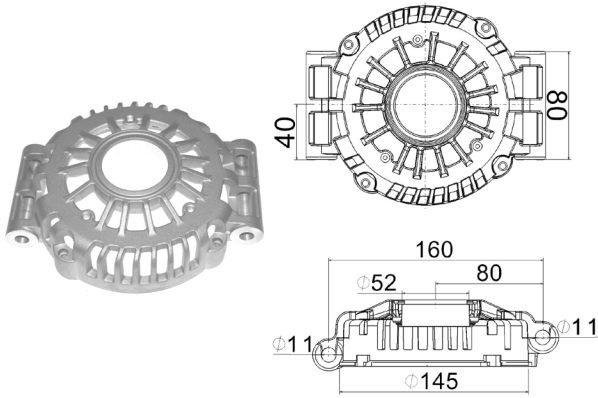
OE PN./Lester :	10527593
For :	13SI
Mating :	RYA-056
Weight (kg):	0.71
Used on:	
NOTE:	



RYA-056

S.R.E Frame

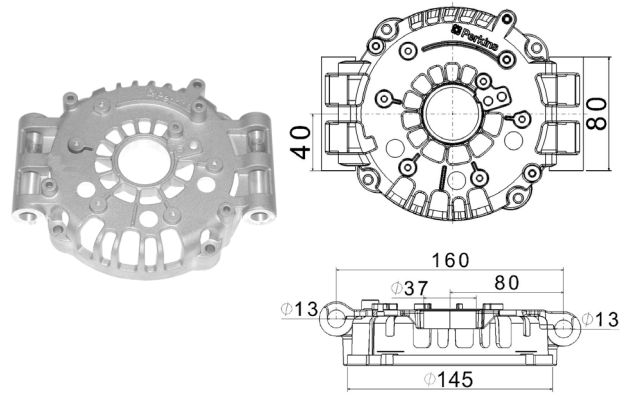
OE PN./Lester :	10533410
For :	13SI
Mating :	RYA-041
Weight (kg):	0.35
Used on:	
NOTE:	The same casting as RYA-003



RYA-016

D.E Frame

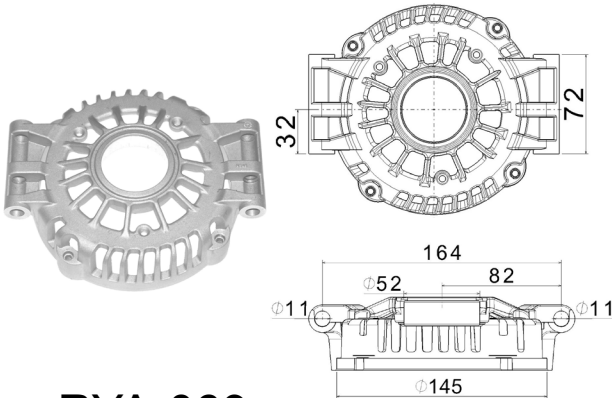
OE PN./Lester :	10522354
For :	18SI
Mating :	RYA-017
Weight (kg):	0.52
Used on:	
NOTE:	



RYA-017

S.R.E Frame

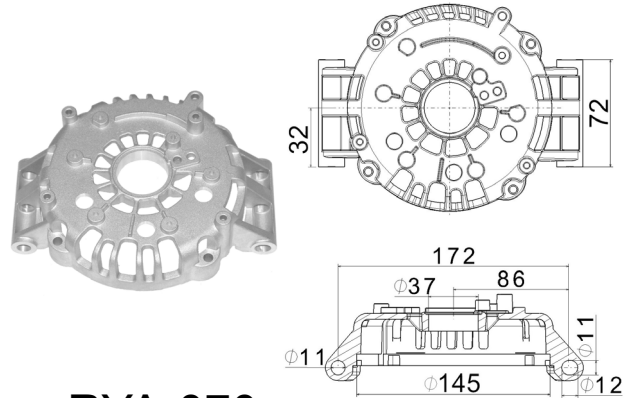
OE PN./Lester :	10522357
For :	18SI
Mating :	RYA-016
Weight (kg):	0.43
Used on:	
NOTE:	



RYA-069

D.E Frame

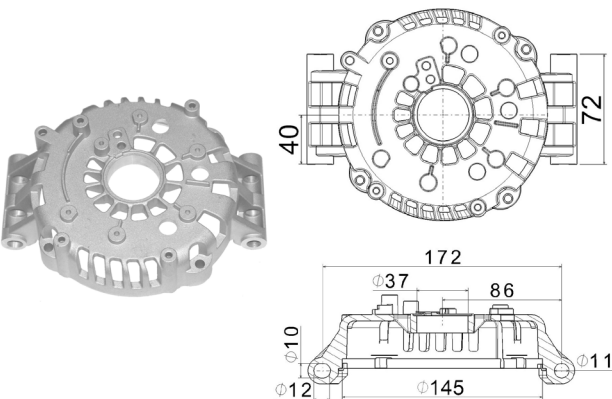
OE PN./Lester :	10539547
For :	18SI
Mating :	RYA-070:RYA-078
Weight (kg):	0.52
Used on:	
NOTE:	



RYA-070

S.R.E Frame

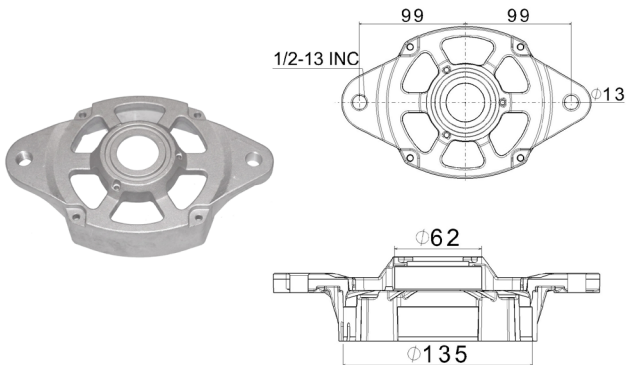
OE PN./Lester :	10539550
For :	18SI
Mating :	RYA-069
Weight (kg):	0.49
Used on:	
NOTE:	



RYA-078

S.R.E Frame

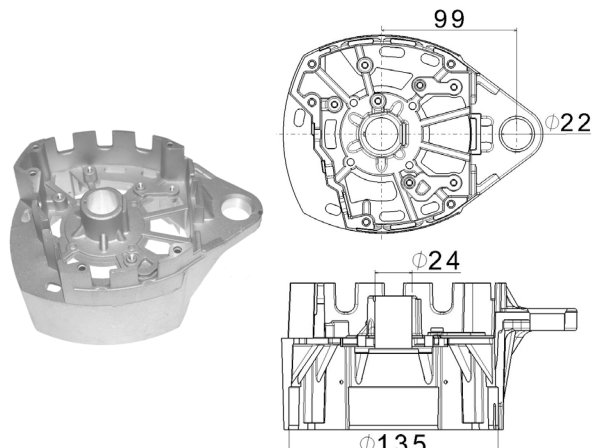
OE PN./Lester :	10542282
For :	18SI
Mating :	RYA-069
Weight (kg):	0.49
Used on:	
NOTE:	



RYA-504

D.E Frame

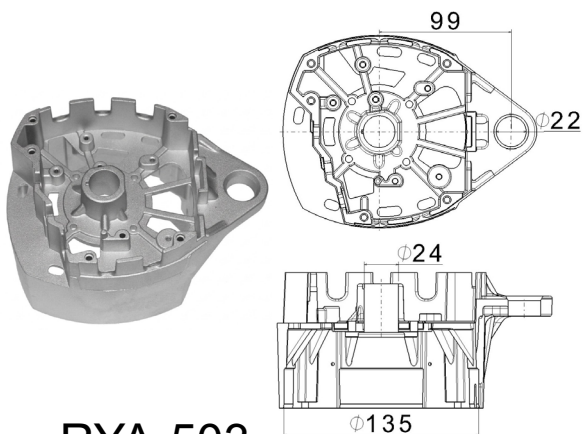
OE PN./Lester :	1894483
For :	20SI
Mating :	RYA-503; RYA-080
Weight (kg):	0.61
Used on:	
NOTE:	Helicoil



RYA-080

S.R.E Frame

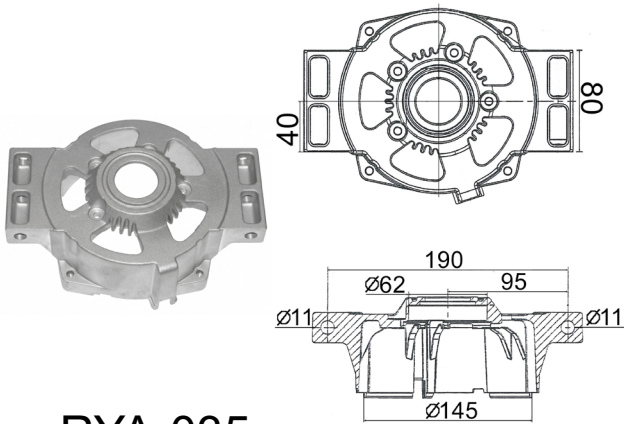
OE PN./Lester :	10536128
For :	20SI
Mating :	RYA-504
Weight (kg):	1.00
Used on:	
NOTE:	



RYA-503

S.R.E Frame

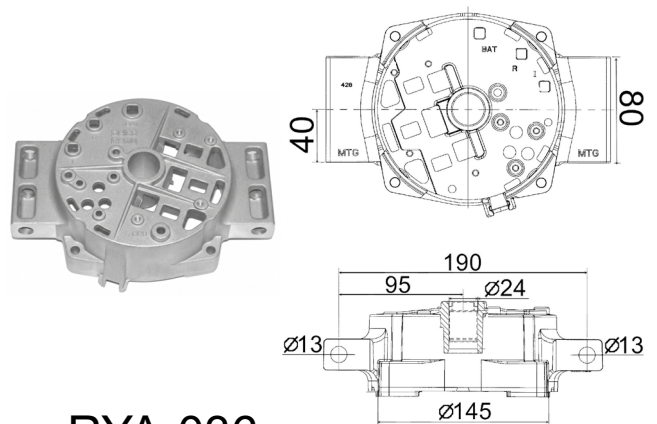
OE PN./Lester :	10475809
For :	20SI
Mating :	RYA-504
Weight (kg):	0.98
Used on:	
NOTE:	



RYA-035

D.E. Frame

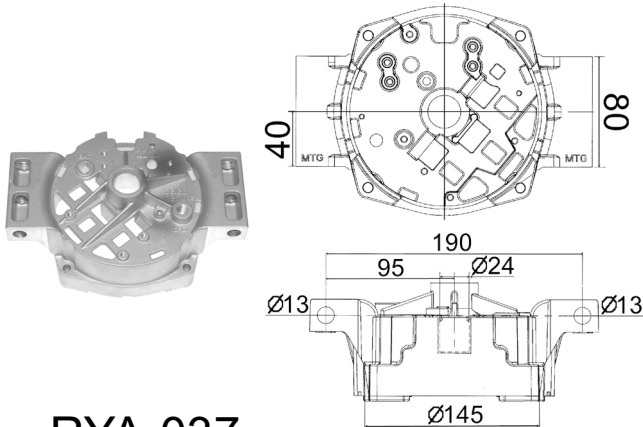
OE PN./Lester :	10520425
For :	23SI
Mating :	
Weight (kg):	0.980
Used on:	
NOTE:	



RYA-036

S.R.E. Frame

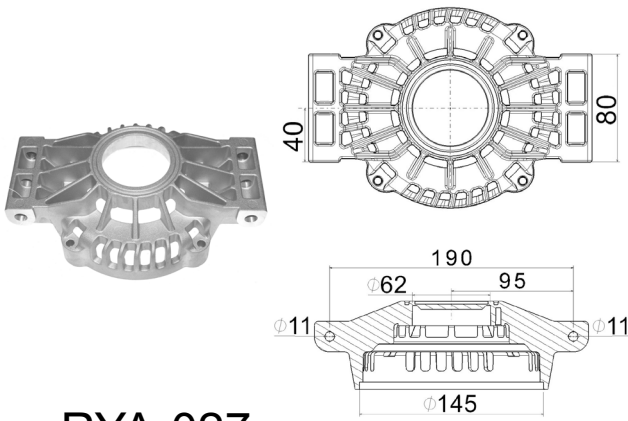
OE PN./Lester :	10520427
For :	22SI
Mating :	
Weight (kg):	0.873
Used on:	
NOTE:	



RYA-037

S.R.E. Frame

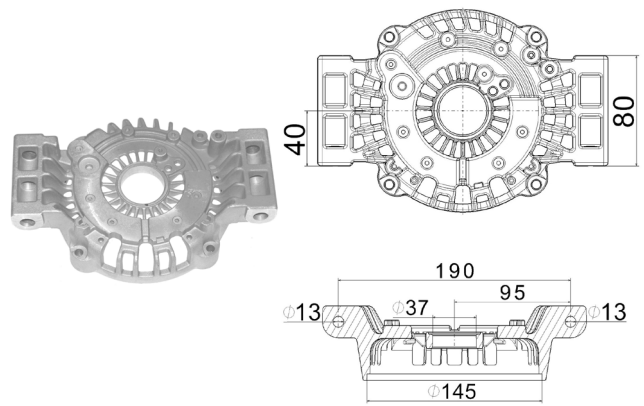
OE PN./Lester :	10487019
For :	22SI
Mating :	
Weight (kg):	0.993
Used on:	
NOTE:	



RYA-027

D.E Frame

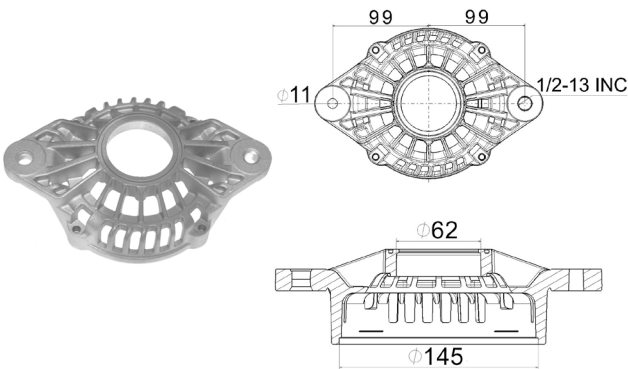
OE PN./Lester :	10502879
For :	24SI
Mating :	RYA-028
Weight (kg):	0.79
Used on:	
NOTE:	



RYA-028

S.R.E Frame

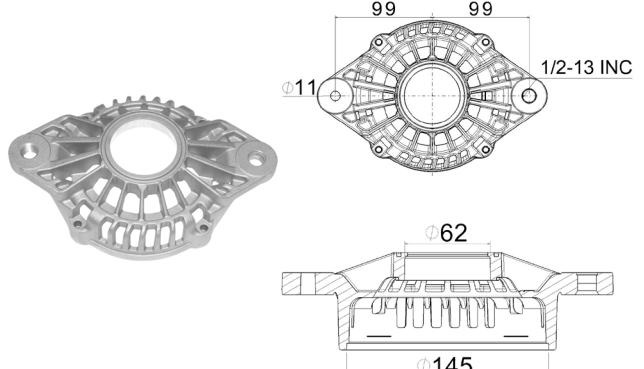
OE PN./Lester :	10502886
For :	24SI
Mating :	RYA-027
Weight (kg):	0.72
Used on:	
NOTE:	



RYA-031

D.E Frame

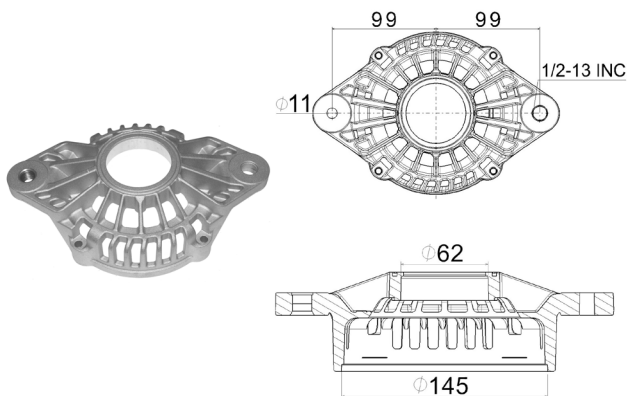
OE PN./Lester :	10524079
For :	28SI
Mating :	RYA-006
Weight (kg):	0.64
Used on:	
NOTE:	The same casting as RYA-005



RYA-032

D.E Frame

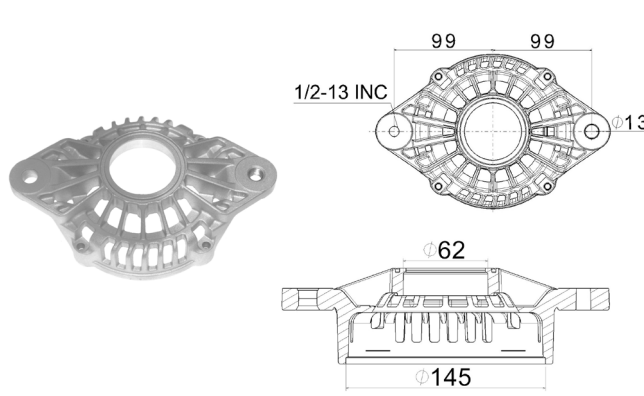
OE PN./Lester :	10524591
For :	28SI
Mating :	RYA-006
Weight (kg):	0.64
Used on:	
NOTE:	Helicoil, the same casting as RYA-005



RYA-033

D.E Frame

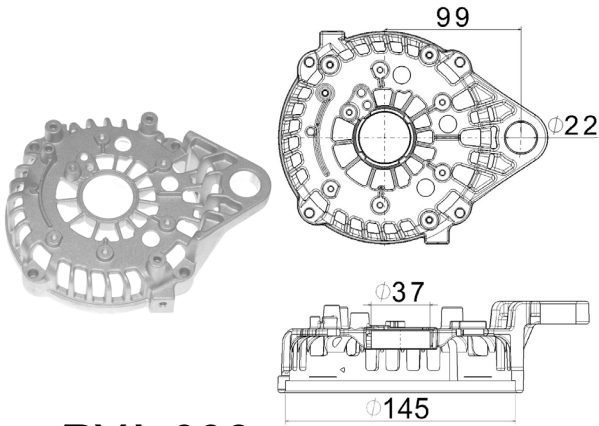
OE PN./Lester :	10524800
For :	28SI
Mating :	RYA-006
Weight (kg):	0.64
Used on:	
NOTE:	Helicoil, the same casting as RYA-005



RYA-082

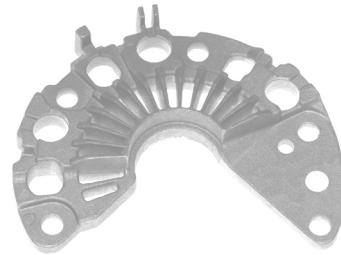
D.E Frame

OE PN./Lester :	10542386
For :	28SI
Mating :	RYA-006
Weight (kg):	0.64
Used on:	
NOTE:	Helicoil, the same casting as RYA-005



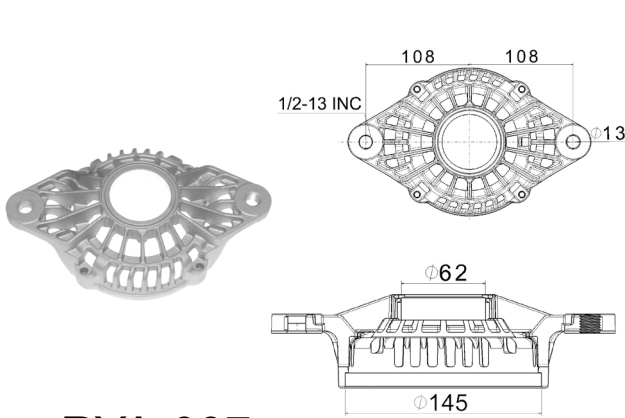
RYA-006 S.R.E Frame

OE PN./Lester :	10518605
For :	28SI
Mating :	RYA-005
Weight (kg):	0.47
Used on:	
NOTE:	



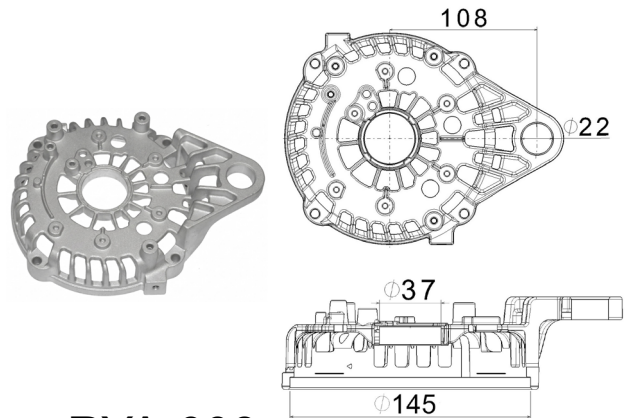
RYA-001 Heat Sink

OE PN./Lester :	10519681
For :	28SI
Mating :	RYA-006; RYA-008
Weight (kg):	0.11
Used on:	
NOTE:	



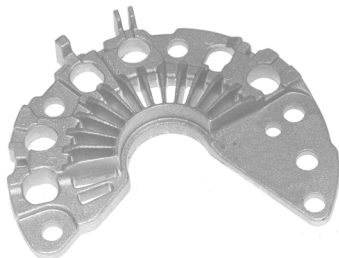
RYA-007 D.E Frame

OE PN./Lester :	10521070
For :	28SI
Mating :	RYA-008
Weight (kg):	0.69
Used on:	
NOTE:	Helicoil



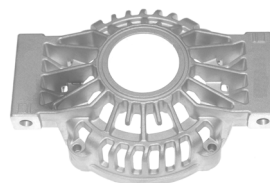
RYA-008 S.R.E Frame

OE PN./Lester :	10521073
For :	28SI
Mating :	RYA-007
Weight (kg):	0.49
Used on:	
NOTE:	



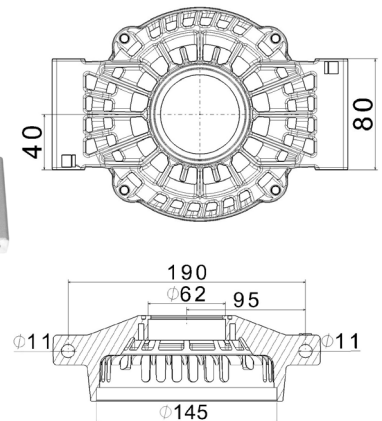
RYA-057 Heat Sink

OE PN./Lester :	10531053
For :	28SI
Mating :	RYA-006; RYA-008
Weight (kg):	0.11
Used on:	
NOTE:	The same casting as RYA-001



RYA-079 D.E Frame

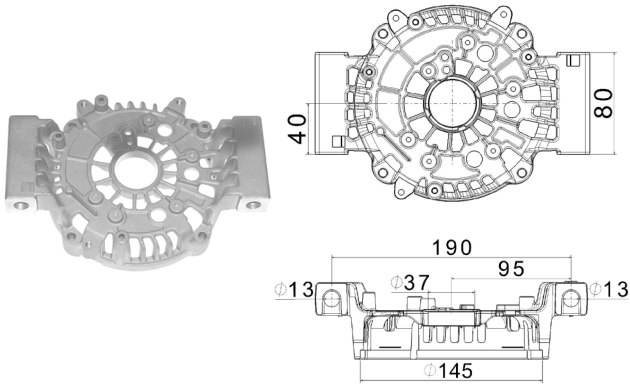
OE PN./Lester :	10542720
For :	28SI
Mating :	
Weight (kg):	0.76
Used on:	
NOTE:	





DELCO REMY ALTERNATOR

24/28SI



RYA-034

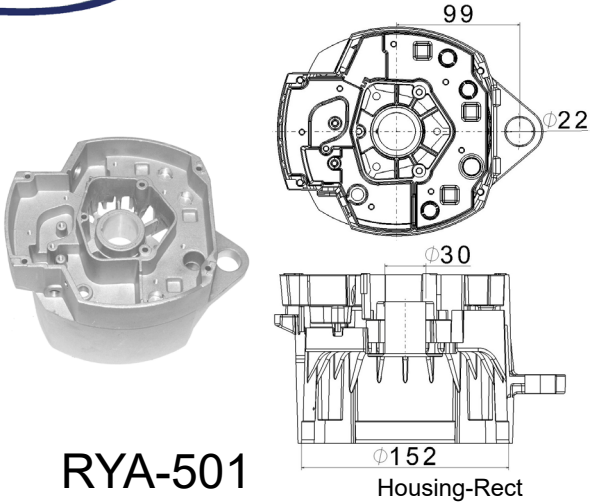
S.R.E Frame

OE PN./Lester :	10521796
For :	28SI
Mating :	
Weight (kg):	0.68
Used on:	
NOTE:	



DELCO REMY ALTERNATOR

26SI



RYA-501

Housing-Rect

OE PN./Lester :	10472647
For :	26SI
Mating :	
Weight (kg):	1.86
Used on:	
NOTE:	



RYA-500

Cover

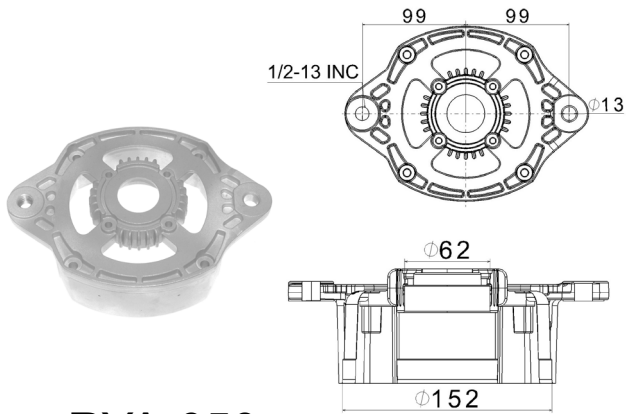
OE PN./Lester :	1969000
For :	26SI
Mating :	
Weight (kg):	0.43
Used on:	
NOTE:	



RYA-502

Heat Sink

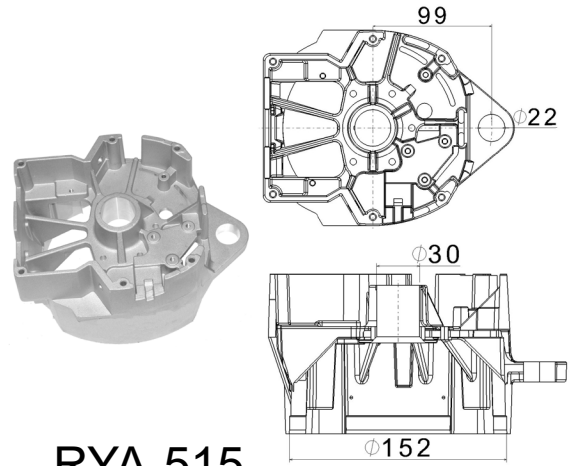
OE PN./Lester :	1968932
For :	26SI
Mating :	
Weight (kg):	0.11
Used on:	
NOTE:	



RYA-050

D.E Frame

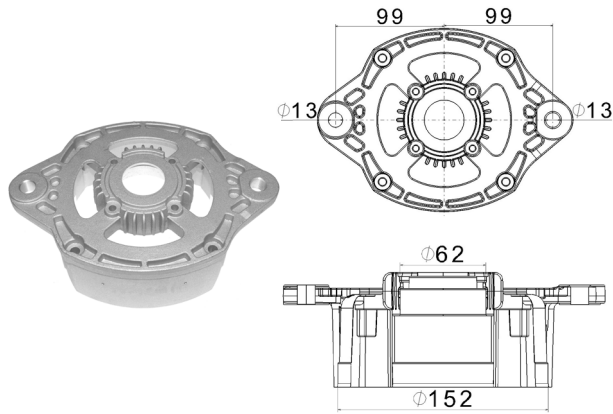
OE PN./Lester :	10491185
For :	33/34SI
Mating :	RYA-052;RYA-053;RYA-054;RYA-055;RYA-515
Weight (kg):	0.99
Used on:	
NOTE:	Helicoil



RYA-515

Housing-Rect

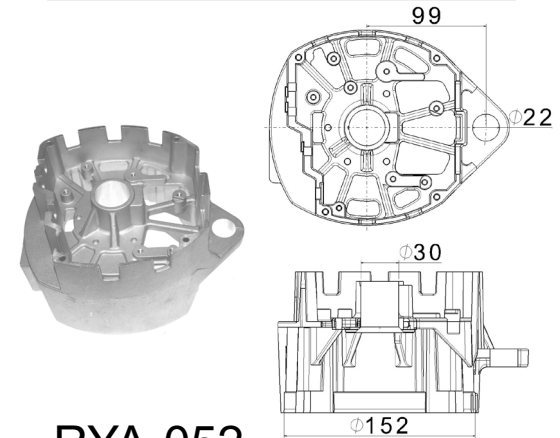
OE PN./Lester :	1876762
For :	30SI
Mating :	RYA-050
Weight (kg):	1.53
Used on:	
NOTE:	



RYA-051

D.E Frame

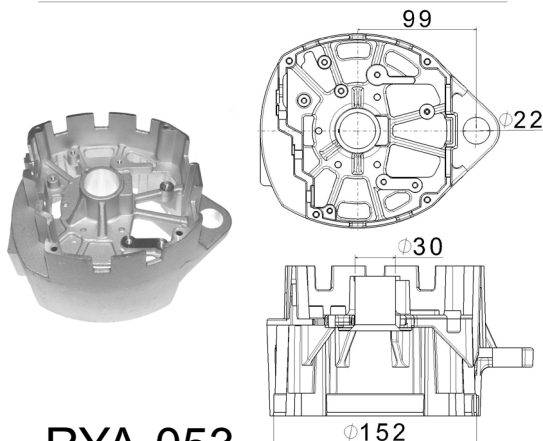
OE PN./Lester :	10483898
For :	33/34SI
Mating :	RYA-052;RYA-053;RYA-054;RYA-055
Weight (kg):	0.99
Used on:	
NOTE:	The same casting as RYA-050



RYA-052

Housing-Rect

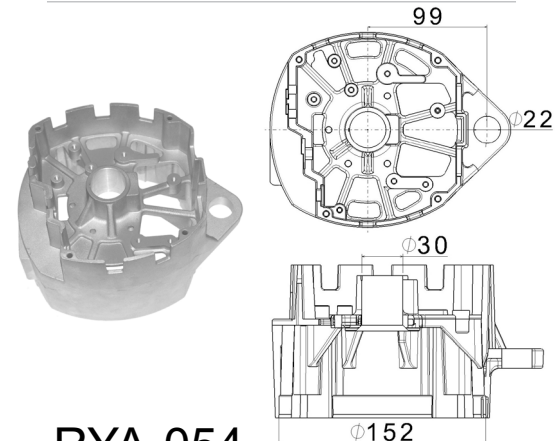
OE PN./Lester :	10491175
For :	33/34SI
Mating :	RYA-050;RYA-051
Weight (kg):	1.40
Used on:	
NOTE:	



RYA-053

Housing-Rect

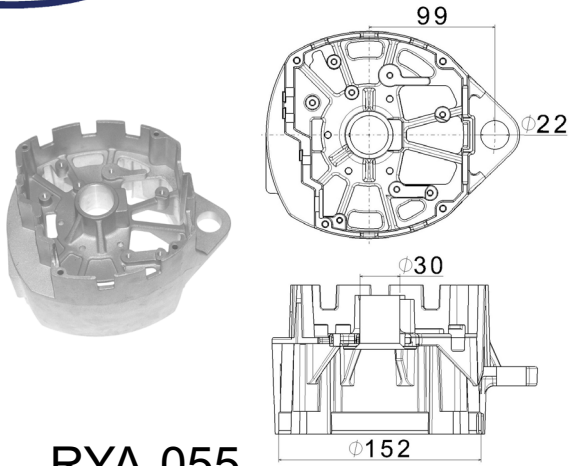
OE PN./Lester :	10522409
For :	33/34SI
Mating :	RYA-050;RYA-051
Weight (kg):	1.40
Used on:	
NOTE:	The same casting as RYA-052



RYA-054

Housing-Rect

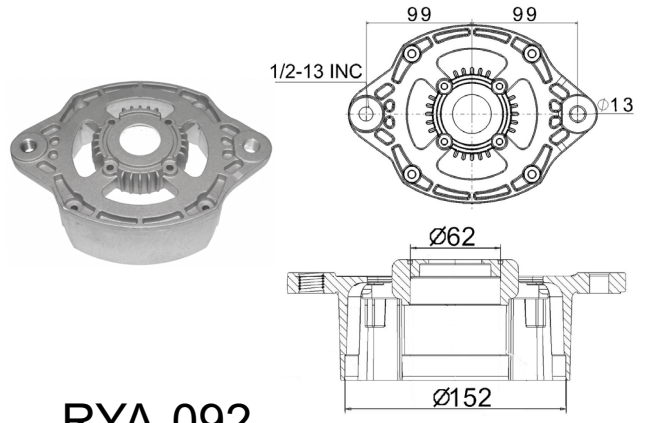
OE PN./Lester :	10483691
For :	33/34SI
Mating :	RYA-050;RYA-051
Weight (kg):	1.40
Used on:	
NOTE:	The same casting as RYA-052



RYA-055

Housing-Rect

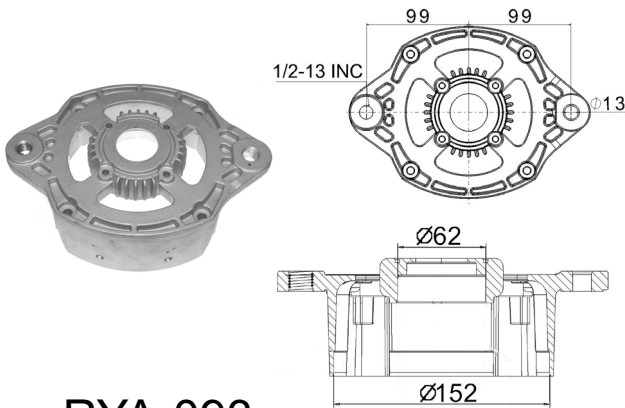
OE PN./Lester :	10522711
For :	33/34SI
Mating :	RYA-050;RYA-051
Weight (kg):	1.40
Used on:	
NOTE:	The same casting as RYA-052



RYA-092

D.E Frame

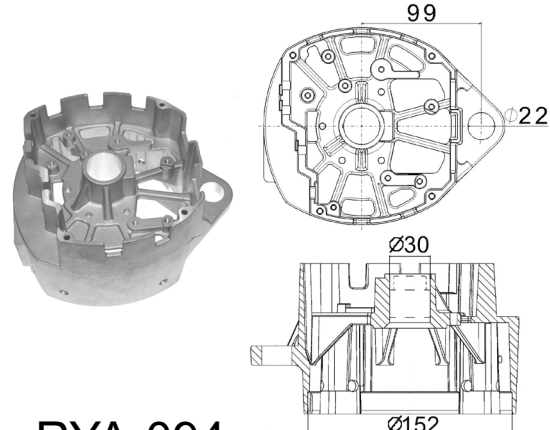
OE PN./Lester :	1852726
For :	33/34SI
Mating :	
Weight (kg):	1.00
Used on:	
NOTE:	The same casting as RYA-050, Helicoil



RYA-093

D.E Frame

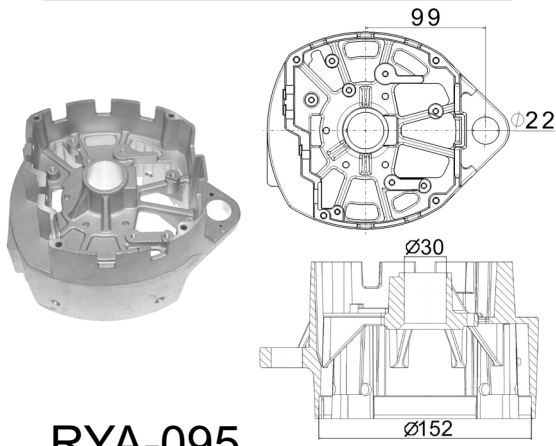
OE PN./Lester :	10510475
For :	33/34SI
Mating :	
Weight (kg):	0.99
Used on:	
NOTE:	The same casting as RYA-050, Helicoil



RYA-094

Housing-Rect

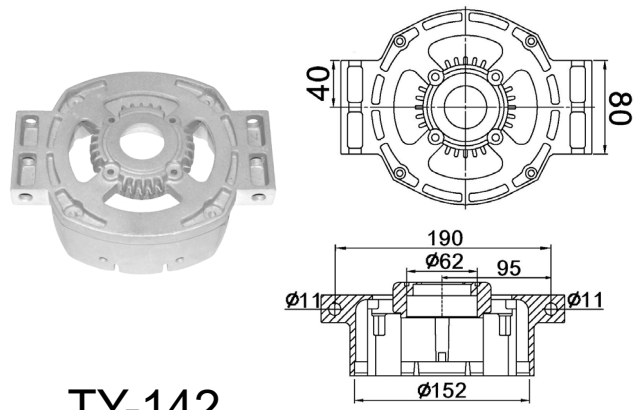
OE PN./Lester :	10510477
For :	33/34SI
Mating :	
Weight (kg):	1.40
Used on:	
NOTE:	The same casting as RYA-052



RYA-095

Housing-Rect

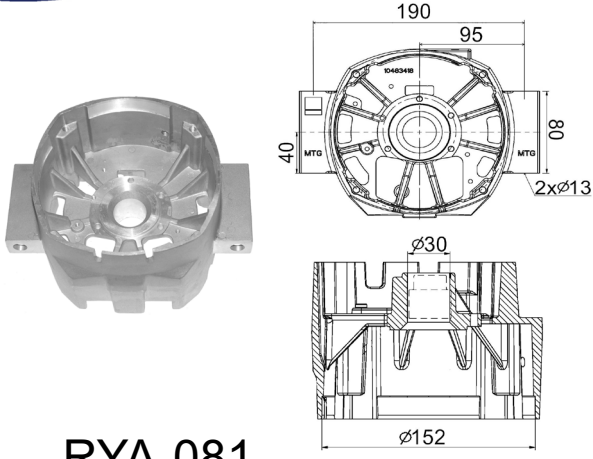
OE PN./Lester :	10522710
For :	33/34SI
Mating :	
Weight (kg):	1.40
Used on:	
NOTE:	The same casting as RYA-055



TY-142

D.E Frame

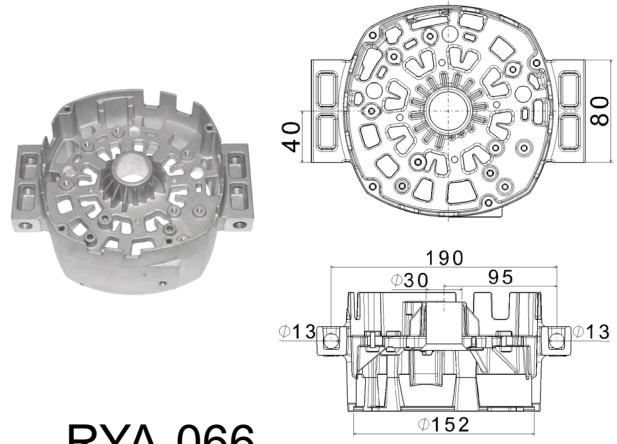
OE PN./Lester :	
For :	34SI
Mating :	RYA-081
Weight (kg):	1.19
Used on:	
NOTE:	



RYA-081

Housing-Rect

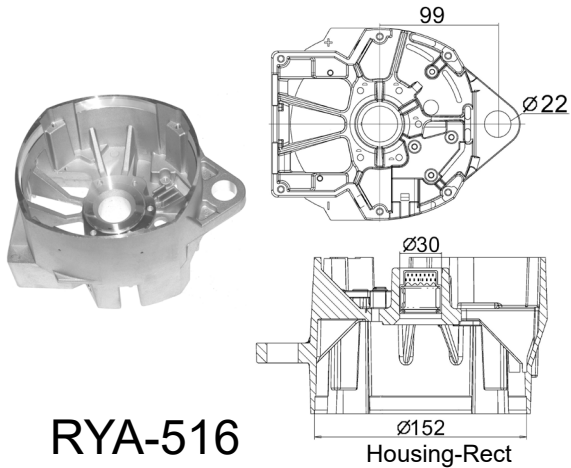
OE PN./Lester :	10541776
For :	36SI
Mating :	TY-142
Weight (kg):	1.66
Used on:	
NOTE:	



RYA-066

Housing-Rect

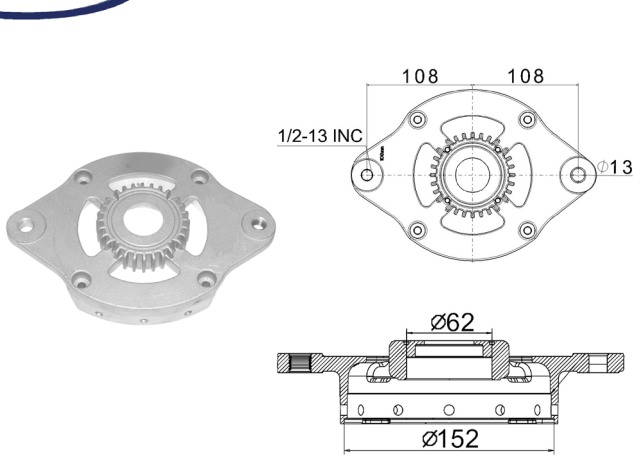
OE PN./Lester :	10534277
For :	38SI
Mating :	
Weight (kg):	1.60
Used on:	
NOTE:	



RYA-516

Housing-Rect

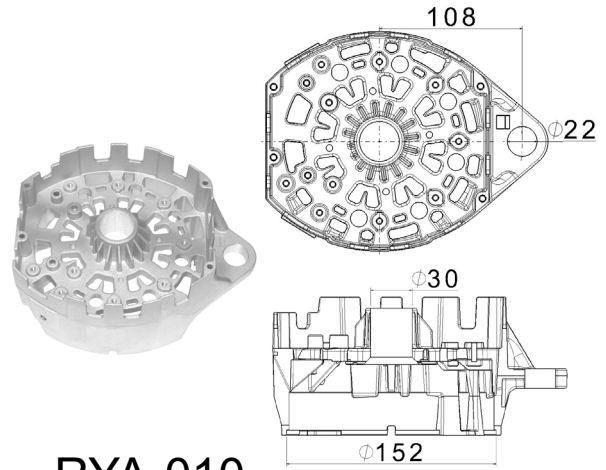
OE PN./Lester :	1876760
For :	30SI
Mating :	
Weight (kg):	1.53
Used on:	
NOTE:	The same casting as RYA-515



RYA-011

D.E Frame

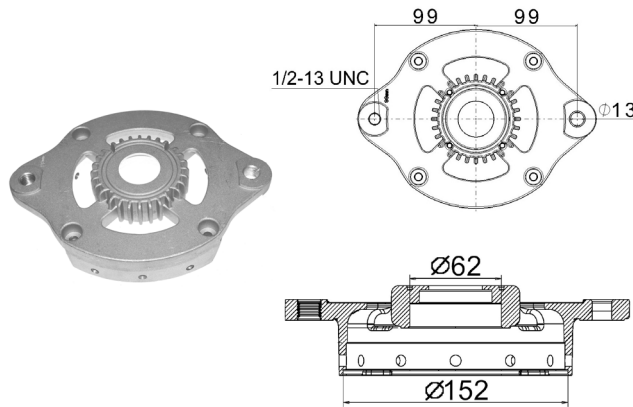
OE PN./Lester :	10520883
For :	40SI
Mating :	RYA-010
Weight (kg):	0.970
Used on:	
NOTE:	Helicoil



RYA-010

Housing-Rect

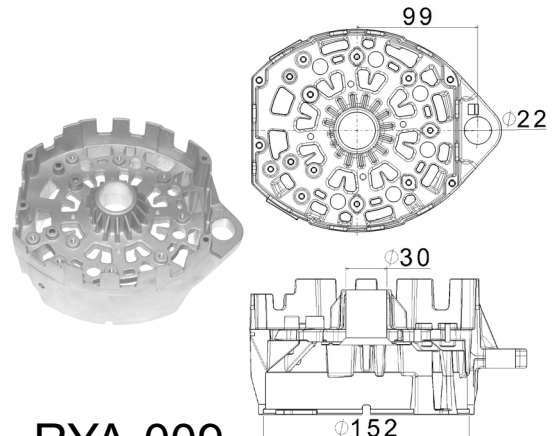
OE PN./Lester :	10520881
For :	40SI
Mating :	RYA-011
Weight (kg):	1.409
Used on:	
NOTE:	



RYA-012

D.E Frame

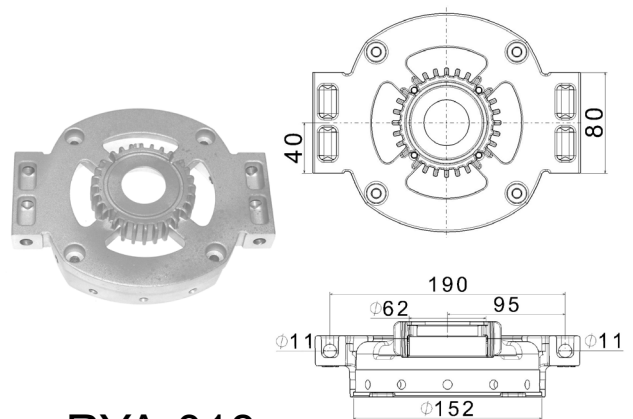
OE PN./Lester :	10520512
For :	40SI
Mating :	RYA-009
Weight (kg):	0.924
Used on:	
NOTE:	Helicoil



RYA-009

Housing-Rect

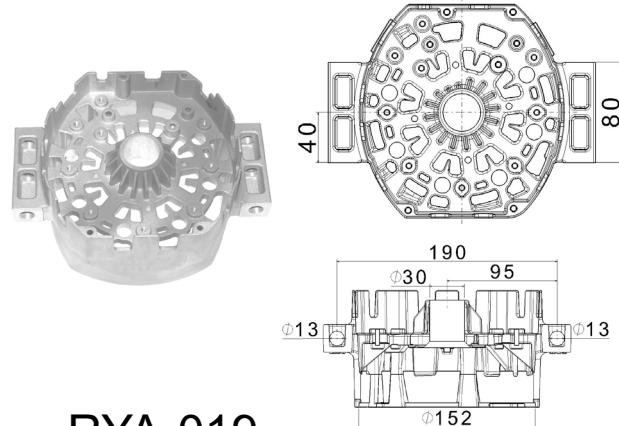
OE PN./Lester :	10520510
For :	40SI
Mating :	RYA-012
Weight (kg):	1.389
Used on:	
NOTE:	



RYA-018

D.E Frame

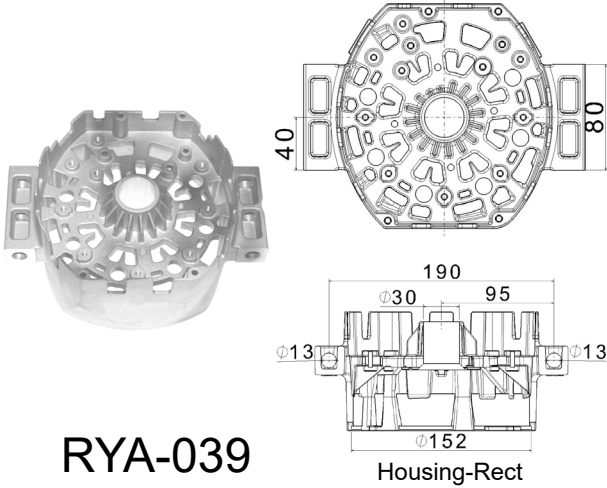
OE PN./Lester :	10514417
For :	40SI
Mating :	RYA-019
Weight (kg):	1.010
Used on:	
NOTE:	Lester 8750



RYA-019

Housing-Rect

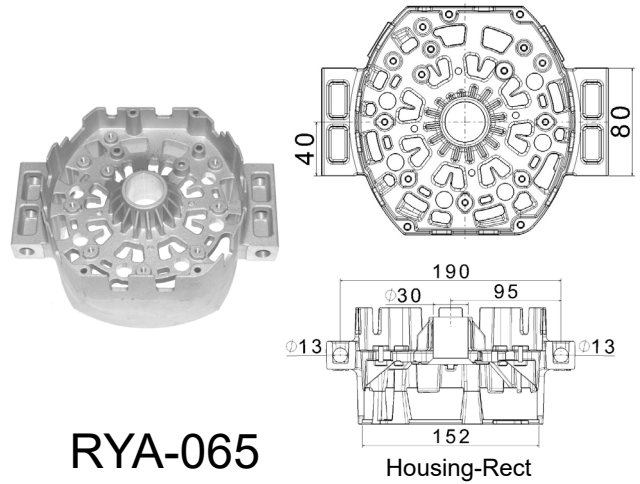
OE PN./Lester :	10518427
For :	40SI
Mating :	RYA-018
Weight (kg):	1.500
Used on:	
NOTE:	Lester 8750



RYA-039

Housing-Rect

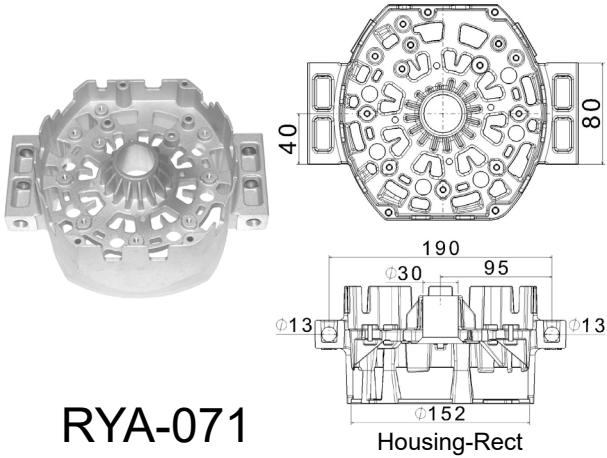
OE PN./Lester :	10527471
For :	40SI
Mating :	RYA-018
Weight (kg):	1.483
Used on:	
NOTE:	The same casting as RYA-019



RYA-065

Housing-Rect

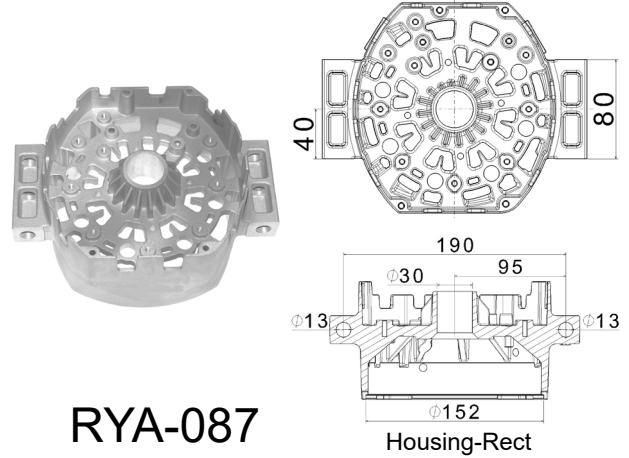
OE PN./Lester :	10536135
For :	40SI
Mating :	RYA-018
Weight (kg):	1.489
Used on:	
NOTE:	The same casting as RYA-019



RYA-071

Housing-Rect

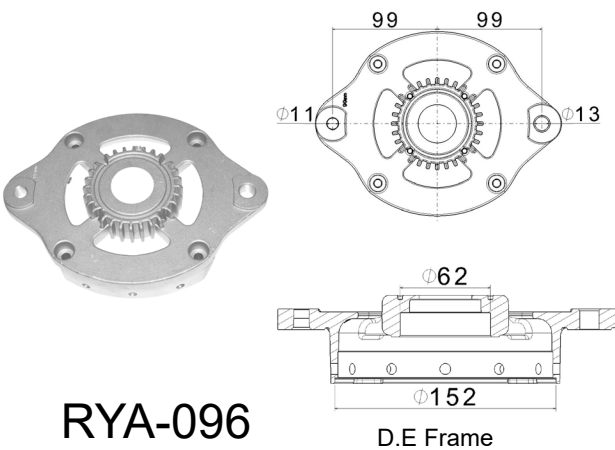
OE PN./Lester :	10540877
For :	40SI
Mating :	RYA-018
Weight (kg):	1.504
Used on:	
NOTE:	The same casting as RYA-065



RYA-087

Housing-Rect

OE PN./Lester :	61005931
For :	40SI
Mating :	
Weight (kg):	1.64
Used on:	
NOTE:	The same casting as RYA-019



RYA-096

D.E Frame

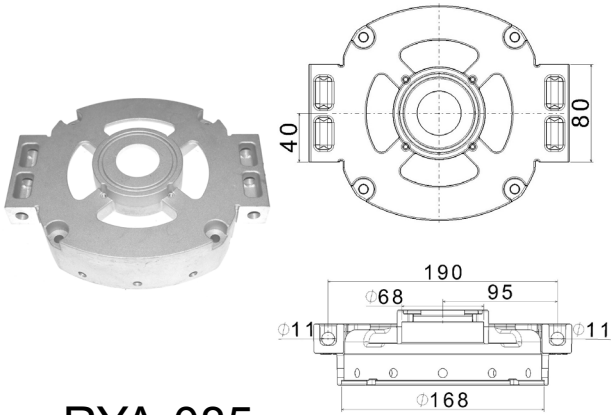
OE PN./Lester :	61031716
For :	40SI
Mating :	
Weight (kg):	0.925
Used on:	
NOTE:	The same casting as RYA-012



RYA-038

Heat Sink

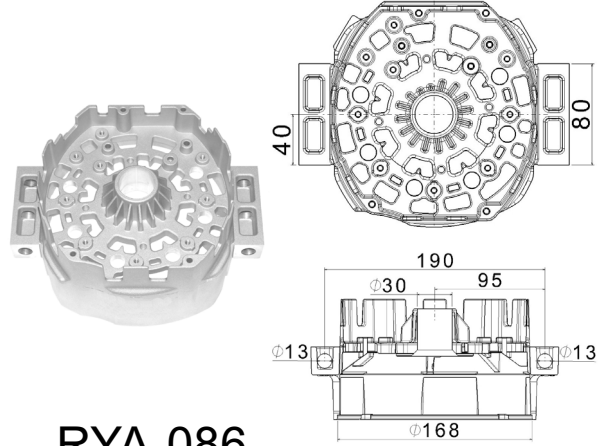
OE PN./Lester :	10518478
For :	55SI
Mating :	
Weight (kg):	0.210
Used on:	
NOTE:	



RYA-085

D.E. Frame

OE PN./Lester :	10545978
For :	45SI
Mating :	RYA-086
Weight (kg):	1.09
Used on:	
NOTE:	



RYA-086

S.R.E. Frame

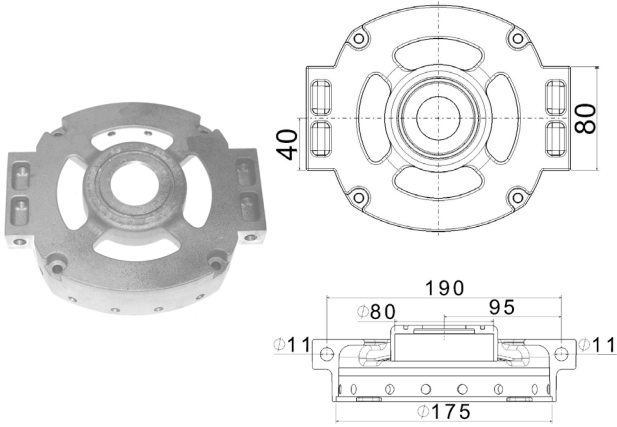
OE PN./Lester :	10545976
For :	45SI
Mating :	RYA-085
Weight (kg):	1.73
Used on:	
NOTE:	



RYA-038

Heat Sink

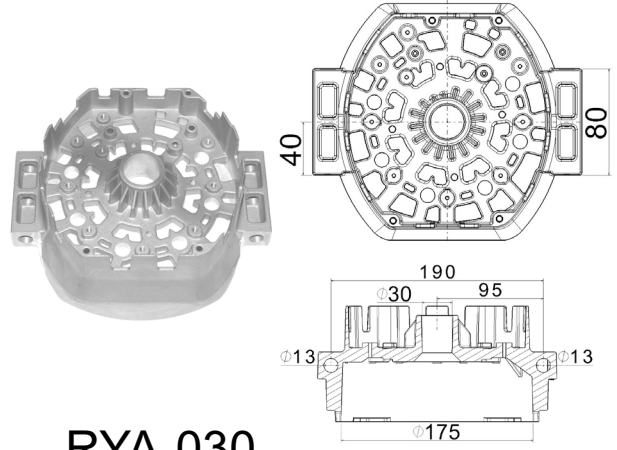
OE PN./Lester :	10518478
For :	55SI
Mating :	
Weight (kg):	0.23
Used on:	
NOTE:	



RYA-029

D.E Frame

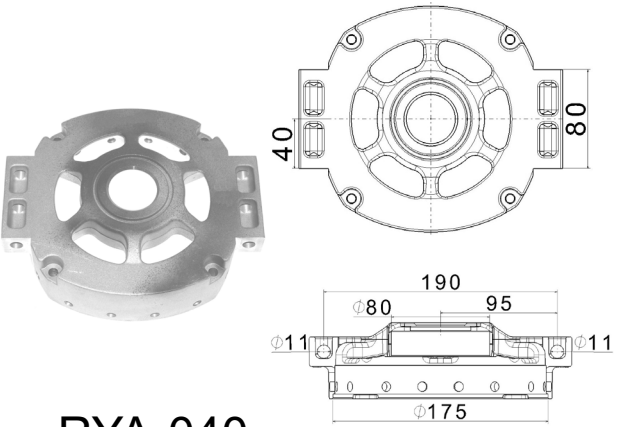
OE PN./Lester :	10523789
For :	55SI
Mating :	RYA-030
Weight (kg):	1.07
Used on:	
NOTE:	



RYA-030

Housing-Rect

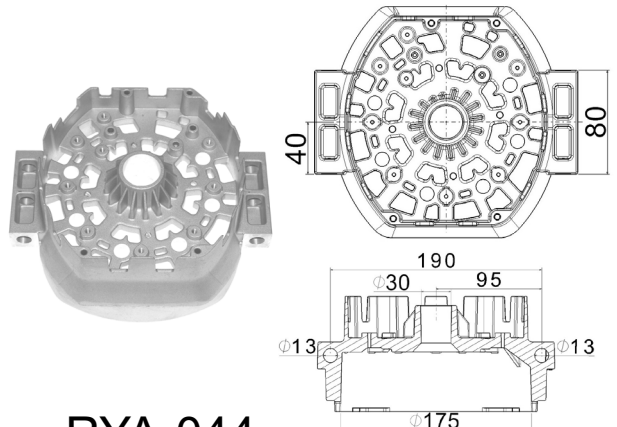
OE PN./Lester :	10521460
For :	55SI
Mating :	RYA-029;RYA-040
Weight (kg):	1.70
Used on:	
NOTE:	



RYA-040

D.E Frame

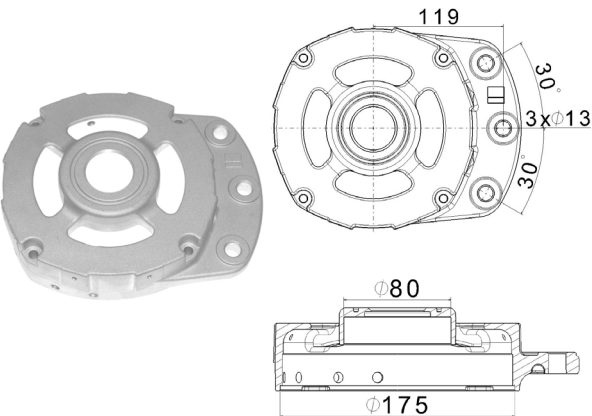
OE PN./Lester :	10525764
For :	55SI
Mating :	RYA-044
Weight (kg):	1.11
Used on:	
NOTE:	



RYA-044

Housing-Rect

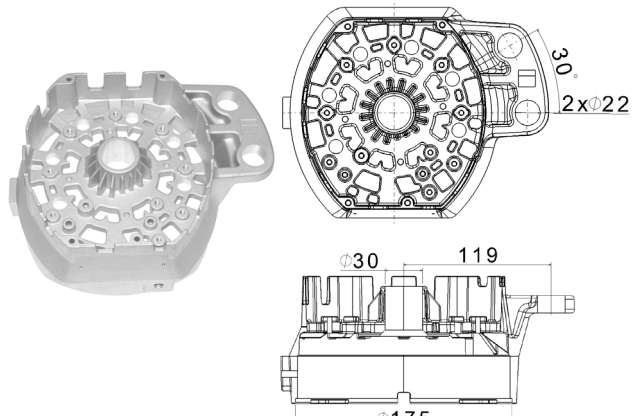
OE PN./Lester :	10529362
For :	55SI
Mating :	RYA-040
Weight (kg):	1.70
Used on:	
NOTE:	The same casting as RYA-030



RYA-042

D.E Frame

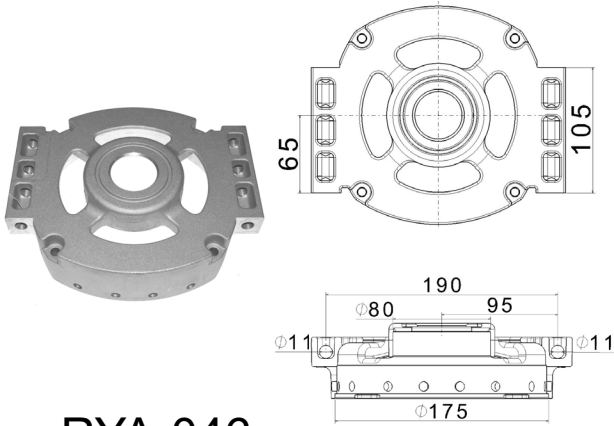
OE PN./Lester :	10526679
For :	55SI
Mating :	RYA-043
Weight (kg):	1.24
Used on:	
NOTE:	



RYA-043

Housing-Rect

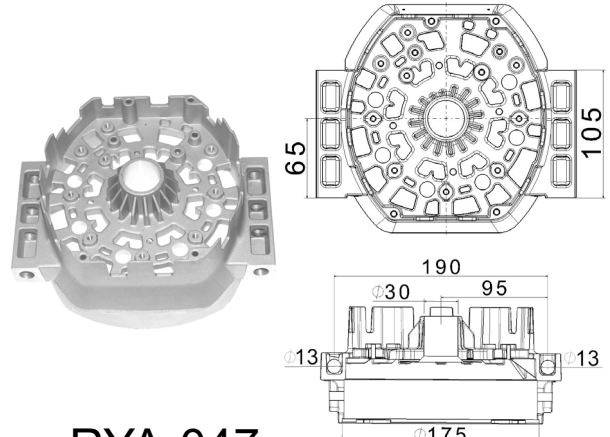
OE PN./Lester :	10526683
For :	55SI
Mating :	RYA-042
Weight (kg):	1.81
Used on:	
NOTE:	



RYA-046

D.E Frame

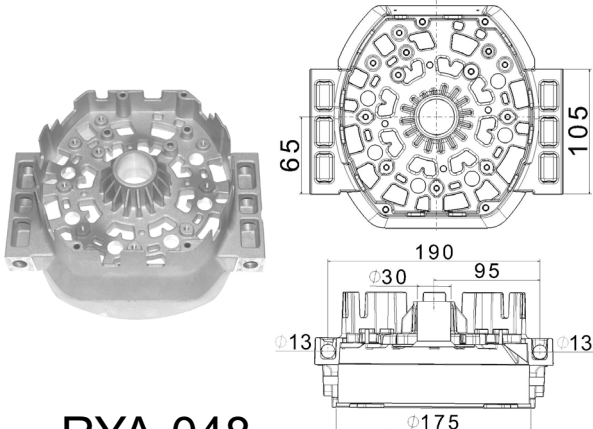
OE PN./Lester :	10530373
For :	55SI
Mating :	RYA-047;RYA-048;RYA-049
Weight (kg):	1.13
Used on:	
NOTE:	



RYA-047

Housing-Rect

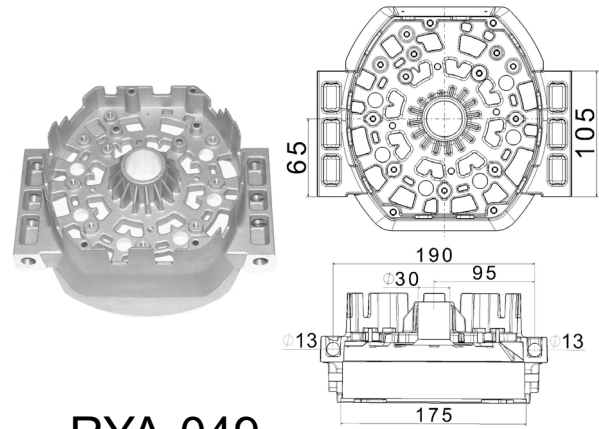
OE PN./Lester :	10530377
For :	55SI
Mating :	RYA-046
Weight (kg):	1.78
Used on:	
NOTE:	



RYA-048

Housing-Rect

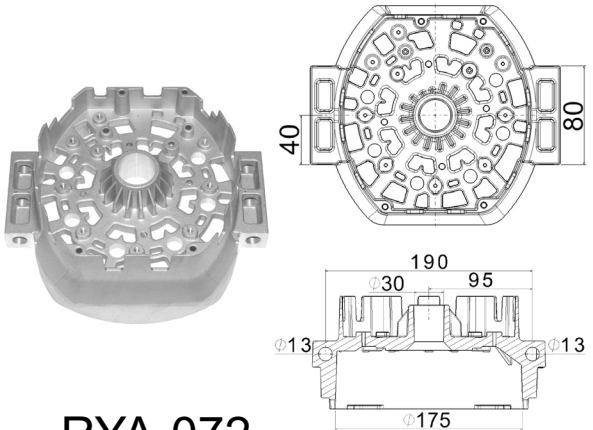
OE PN./Lester :	10531739
For :	55SI
Mating :	RYA-046
Weight (kg):	1.78
Used on:	
NOTE:	The same casting as RYA-047



RYA-049

Housing-Rect

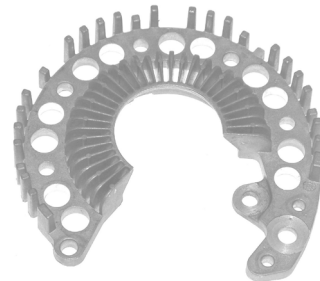
OE PN./Lester :	10533202
For :	55SI
Mating :	RYA-046
Weight (kg):	1.78
Used on:	
NOTE:	The same casting as RYA-047



RYA-072

Housing-Rect

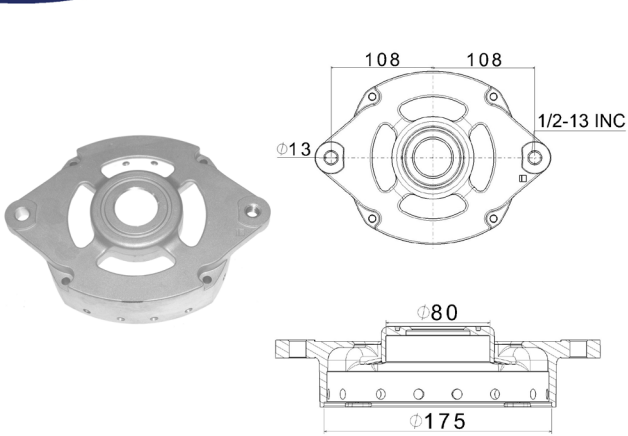
OE PN./Lester :	10541339
For :	55SI
Mating :	RYA-029
Weight (kg):	1.70
Used on:	
NOTE:	The same casting as RYA-030



RYA-038

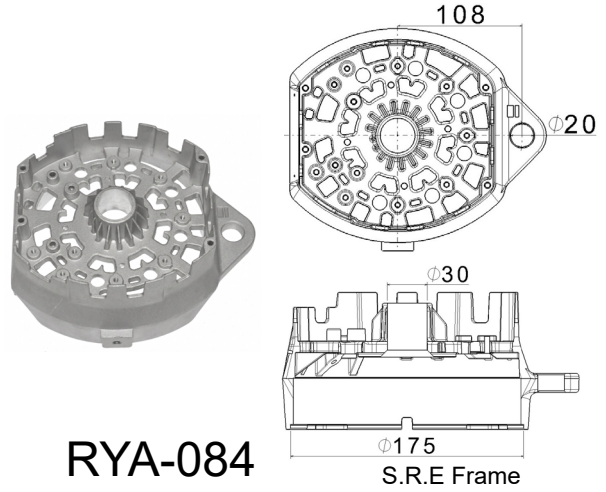
Heat Sink

OE PN./Lester :	10518478
For :	55SI
Mating :	55SI SRE Frame
Weight (kg):	0.23
Used on:	
NOTE:	



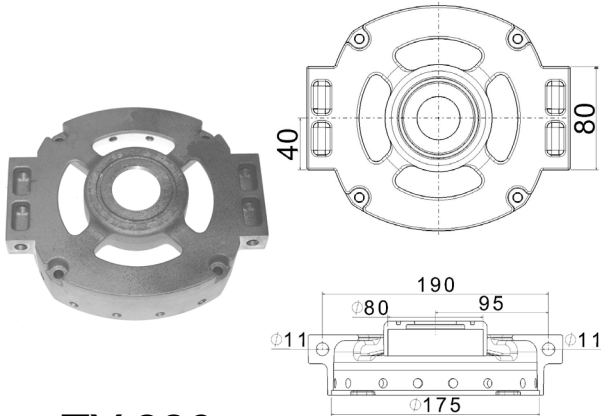
RYA-083 D.E Frame

OE PN./Lester :	10544441
For :	55SI
Mating :	RYA-084
Weight (kg):	1.11
Used on:	
NOTE:	Helicoil



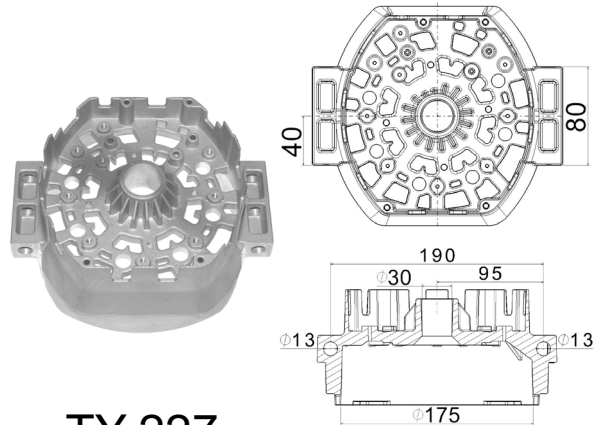
RYA-084 S.R.E Frame

OE PN./Lester :	10532280
For :	55SI
Mating :	RYA-083
Weight (kg):	1.67
Used on:	
NOTE:	



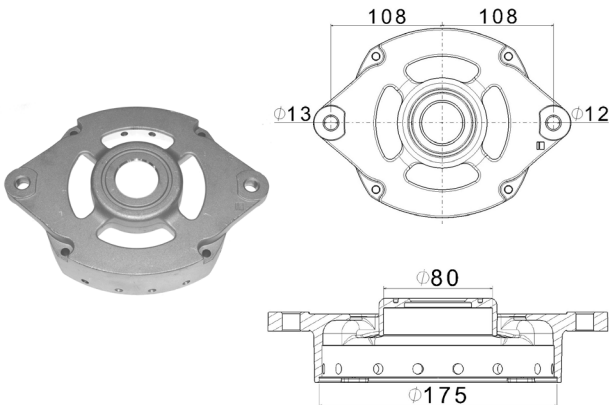
TY-226 D.E Frame

OE PN./Lester :	
For :	Delco 55SI 160~190 Amp 24 Volt
Mating :	TY-227
Weight (kg):	1.07
Used on:	
NOTE:	The same casting as RYA-029



TY-227 Housing-Rect

OE PN./Lester :	
For :	Delco 55SI 160~190 Amp 24 Volt
Mating :	TY-226
Weight (kg):	1.70
Used on:	
NOTE:	The same casting as RYA-030



RYA-097 D.E Frame

OE PN./Lester :	61030790
For :	55SI
Mating :	
Weight (kg):	1.03
Used on:	
NOTE:	The same casting as RYA-083



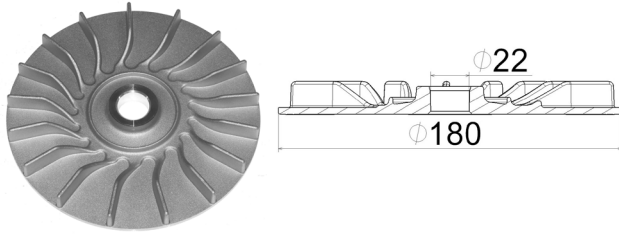
TY-228 Heat Sink

OE PN./Lester :	
For :	Delco 55SI 160~190 Amp 24 Volt
Mating :	55SI SRE Frame
Weight (kg):	0.23
Used on:	
NOTE:	The same casting as RYA-038



DELCO REMY ALTERNATOR

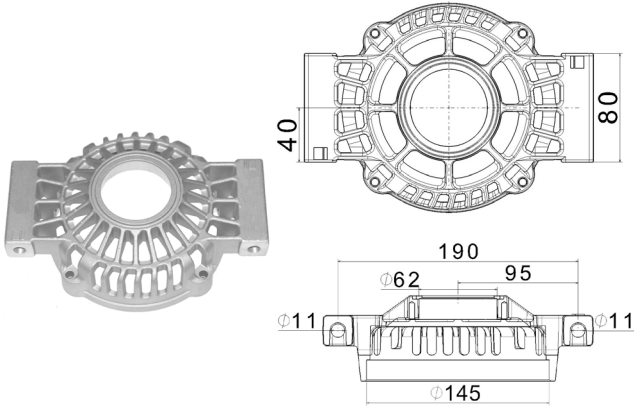
55SI



TH-216

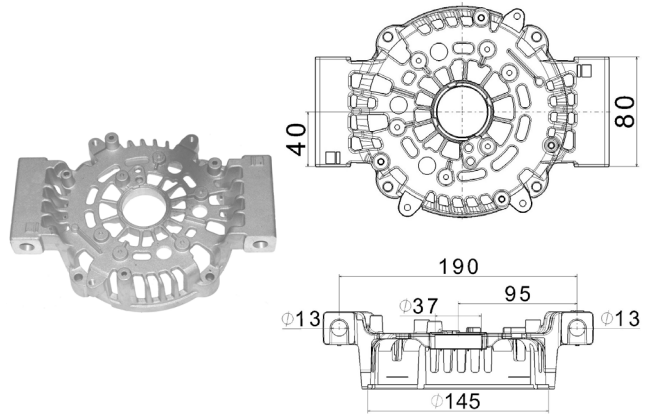
Fan

OE PN./Lester :	
For :	Delco 55SI 275 Amp 12 Volt
Mating :	
Weight (kg):	0.38
Used on:	
NOTE:	



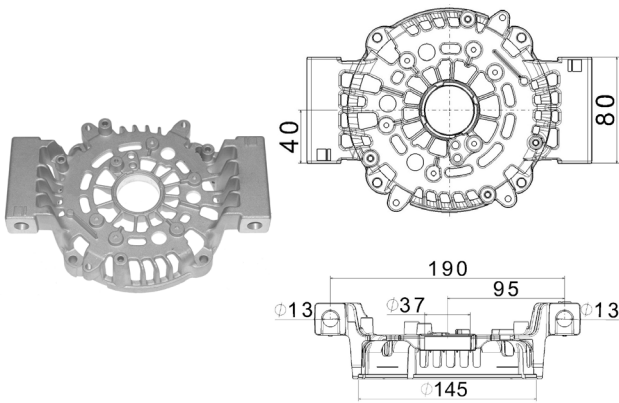
RYA-067 D.E Frame

OE PN./Lester :	10537183
For :	130SI
Mating :	RYA-068;RYA-075
Weight (kg):	0.78
Used on:	
NOTE:	



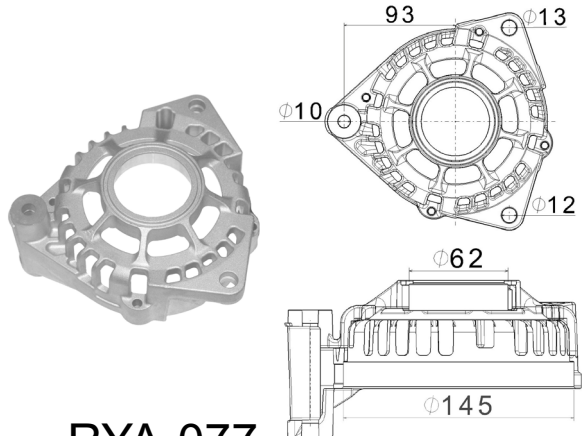
RYA-068 S.R.E Frame

OE PN./Lester :	10537567
For :	130SI
Mating :	RYA-067
Weight (kg):	0.71
Used on:	
NOTE:	



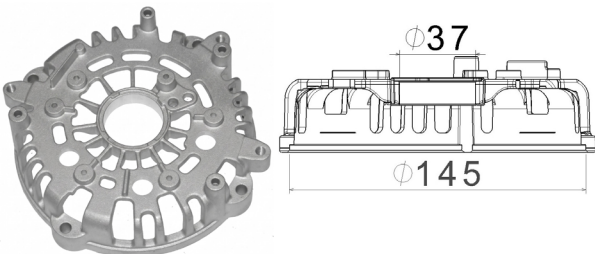
RYA-075 S.R.E Frame

OE PN./Lester :	10542221
For :	130SI
Mating :	RYA-067
Weight (kg):	0.65
Used on:	
NOTE:	



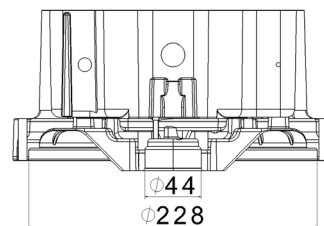
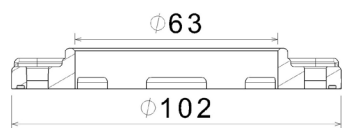
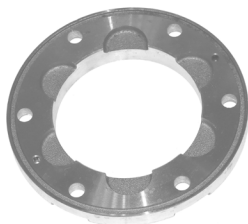
RYA-077 D.E Frame

OE PN./Lester :	10540908
For :	130SI
Mating :	RYA-076
Weight (kg):	0.81
Used on:	
NOTE:	



RYA-076 S.R.E Frame

OE PN./Lester :	10541114
For :	130SI
Mating :	RYA-077
Weight (kg):	0.36
Used on:	
NOTE:	



RYA-021

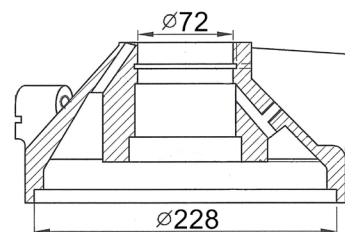
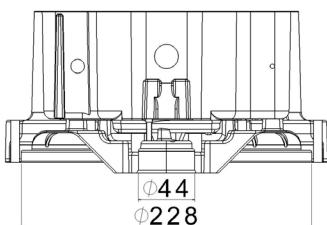
Plate Seal Retainer

OE PN./Lester :	10522539
For :	50DN
Mating :	LK-128
Weight (kg):	0.11
Used on:	
NOTE:	

RYA-513

Frame-Rect End

OE PN./Lester :	10502987
For :	50DN
Mating :	TY-131;TY-132;TY-114
Weight (kg):	3.23
Used on:	
NOTE:	



RYA-514

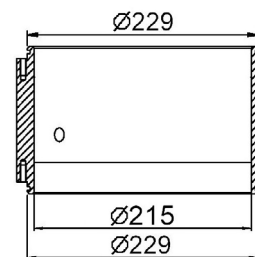
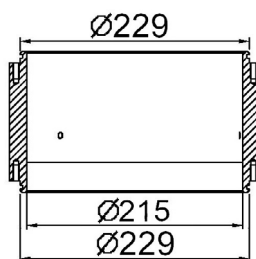
Frame-Rect End

OE PN./Lester :	10471611
For :	50DN
Mating :	TY-131;TY-132;TY-114
Weight (kg):	3.23
Used on:	
NOTE:	

LK-128

D.E Frame

OE PN./Lester :	
For :	50DN
Mating :	RYA-021
Weight (kg):	12.20
Used on:	
NOTE:	



TY-131

Field Housing

OE PN./Lester :	
For :	50DN
Mating :	RYA-513;RYA-514
Weight (kg):	3.20
Used on:	
NOTE:	

TY-132

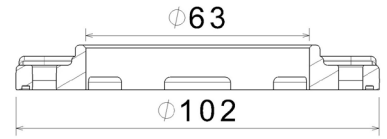
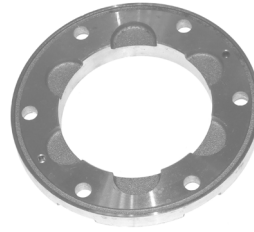
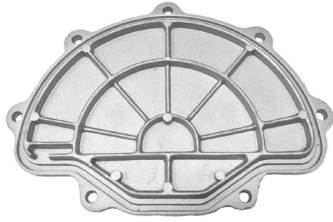
Field Housing

OE PN./Lester :	
For :	50DN
Mating :	RYA-513;RYA-514
Weight (kg):	3.20
Used on:	
NOTE:	



DELCO REMY ALTERNATOR

50DN



TY-114

Cover-Diode End

OE PN./Lester :	
For :	50DN
Mating :	RYA-513;RYA-514
Weight (kg):	0.41
Used on:	
NOTE:	

TY-207

Plate Seal Retainer

OE PN./Lester :	
For :	50DN
Mating :	
Weight (kg):	0.11
Used on:	
NOTE:	The same casting as RYA-021