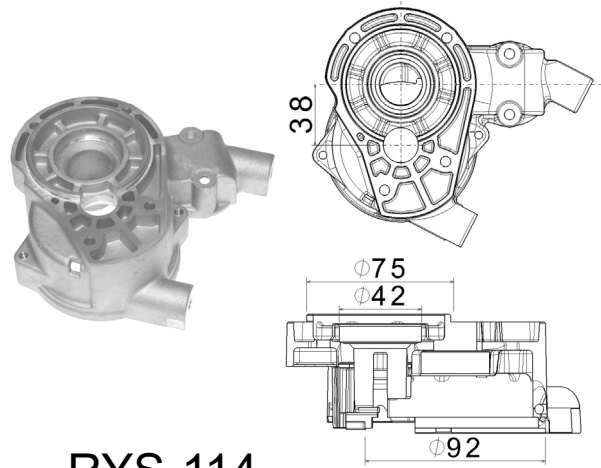


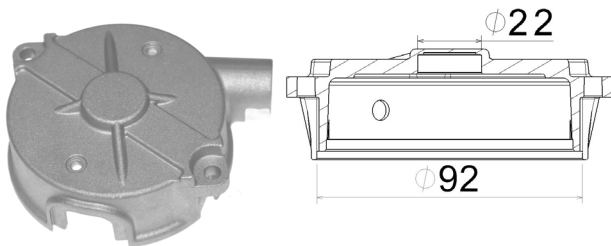
RYS-113 Front Housing

OE PN./Lester :	71004246
For :	26MT
Mating :	RYS-114, RYS-115
Weight (kg):	0.499
Used on:	Chevrolet pickup truck, Diesel 8.3L
NOTE:	



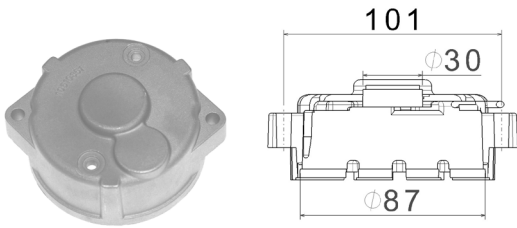
RYS-114 Middle Housing

OE PN./Lester :	61026440
For :	26MT
Mating :	RYS-113, RYS-115
Weight (kg):	0.688
Used on:	Chevrolet pickup truck, Diesel 8.3L
NOTE:	



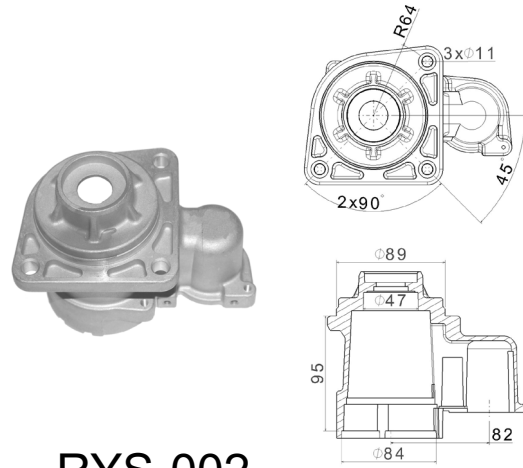
RYS-115 C.E. Frame

OE PN./Lester :	61026437
For :	26MT
Mating :	RYS-113, RYS-114
Weight (kg):	0.184
Used on:	Chevrolet pickup truck, Diesel 8.3L
NOTE:	



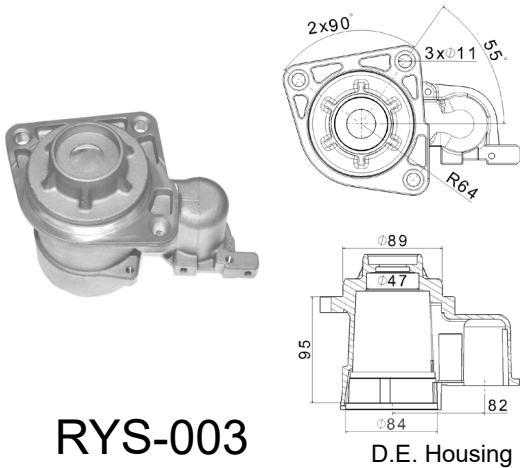
RYS-001 C.E. Housing

OE PN./Lester :	10510850
For :	29MT
Mating :	RYS-002;RYS-006;RYS-017;RYS-021; RYS-029;RYS-030;RYS-056
Weight (kg):	0.20
Used on:	
NOTE:	



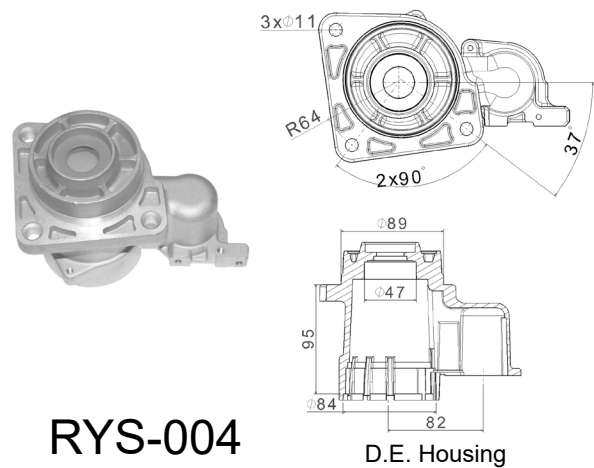
RYS-002 D.E. Housing

OE PN./Lester :	10510825
For :	29MT
Mating :	RYS-001
Weight (kg):	1.03
Used on:	
NOTE:	



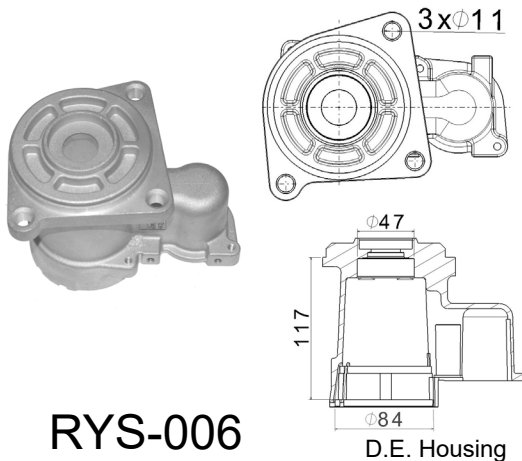
RYS-003 D.E. Housing

OE PN./Lester :	10518560
For :	29MT
Mating :	RYS-007
Weight (kg):	1.06
Used on:	
NOTE:	



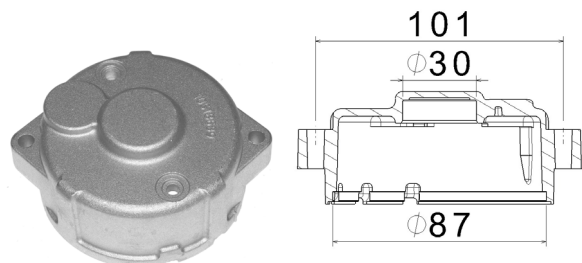
RYS-004 D.E. Housing

OE PN./Lester :	10510205
For :	29MT
Mating :	RYS-007
Weight (kg):	1.12
Used on:	
NOTE:	



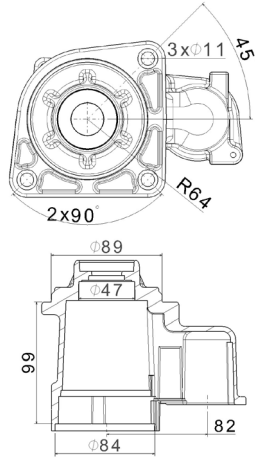
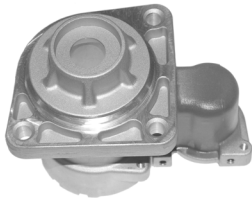
RYS-006 D.E. Housing

OE PN./Lester :	10518774
For :	29MT
Mating :	RYS-001
Weight (kg):	1.08
Used on:	
NOTE:	



RYS-007 C.E. Housing

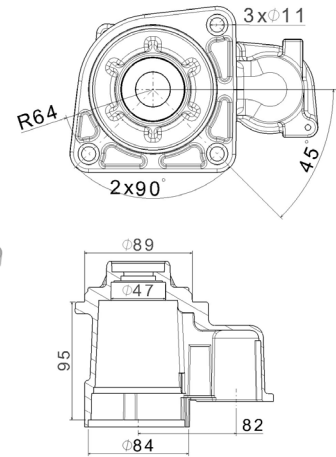
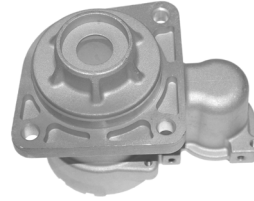
OE PN./Lester :	10518638
For :	29MT
Mating :	RYS-003;RYS-004
Weight (kg):	0.19
Used on:	
NOTE:	



RYS-017

D.E. Housing

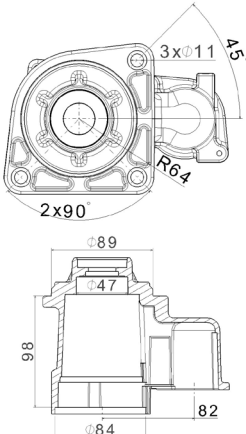
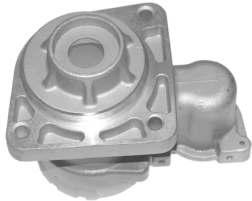
OE PN./Lester :	10519508
For :	29MT
Mating :	RYS-001
Weight (kg):	1.08
Used on:	
NOTE:	



RYS-021

D.E. Housing

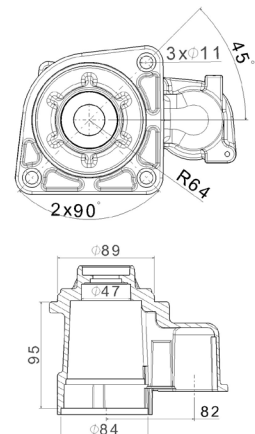
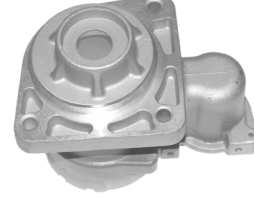
OE PN./Lester :	10513157
For :	29MT
Mating :	RYS-001
Weight (kg):	1.08
Used on:	
NOTE:	The same casting as RYS-017



RYS-029

D.E. Housing

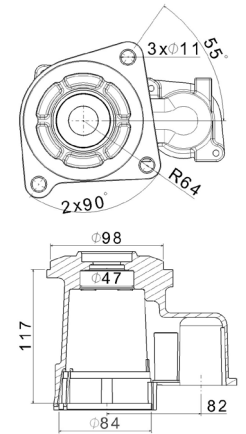
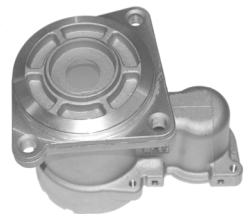
OE PN./Lester :	10523607
For :	29MT
Mating :	RYS-001
Weight (kg):	1.14
Used on:	
NOTE:	



RYS-030

D.E. Housing

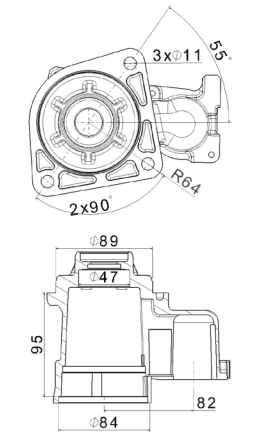
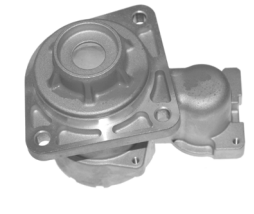
OE PN./Lester :	10515639
For :	29MT
Mating :	RYS-001
Weight (kg):	1.14
Used on:	
NOTE:	



RYS-056

D.E. Housing

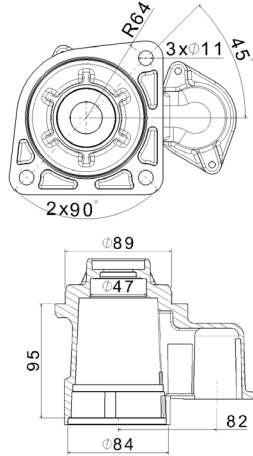
OE PN./Lester :	10532769
For :	29MT
Mating :	RYS-001
Weight (kg):	1.12
Used on:	
NOTE:	The same casting as RYS-006



RYS-058

D.E. Housing

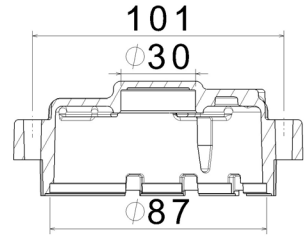
OE PN./Lester :	10535054
For :	29MT
Mating :	RYS-087
Weight (kg):	1.05
Used on:	
NOTE:	



RYS-086

D.E. Housing

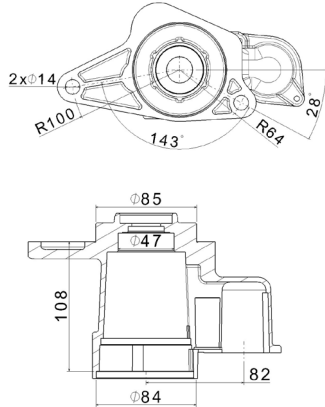
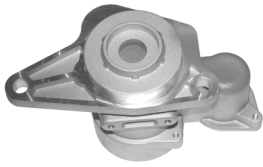
OE PN./Lester :	10545118
For :	29MT
Mating :	RYS-087
Weight (kg):	1.04
Used on:	
NOTE:	



RYS-087

C.E. Housing

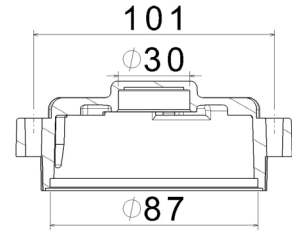
OE PN./Lester :	10544548
For :	29MT
Mating :	RYS-058;RYS-086
Weight (kg):	0.19
Used on:	
NOTE:	



RYS-093

D.E. Housing

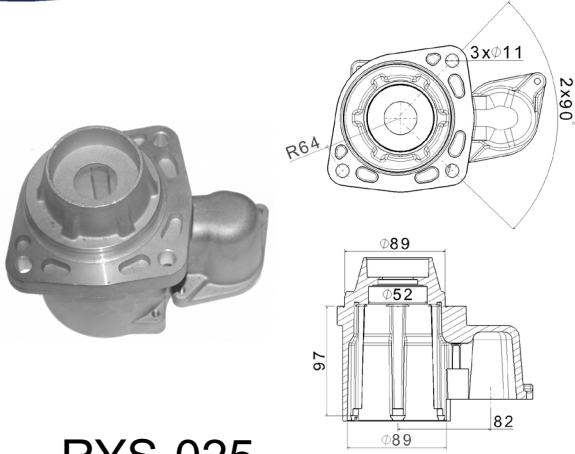
OE PN./Lester :	10530204
For :	29MT
Mating :	RYS-094
Weight (kg):	1.49
Used on:	
NOTE:	



RYS-094

C.E. Housing

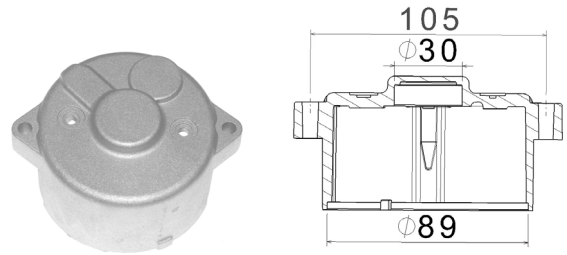
OE PN./Lester :	10530818
For :	29MT
Mating :	RYS-093
Weight (kg):	0.19
Used on:	
NOTE:	



RYS-025

D.E. Housing

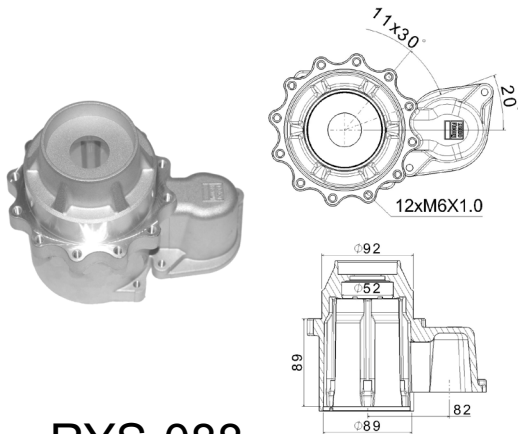
OE PN./Lester :	X10521912
For :	35MT
Mating :	RYS-026;RYS-096
Weight (kg):	1.26
Used on:	
NOTE:	



RYS-026

C.E. Housing

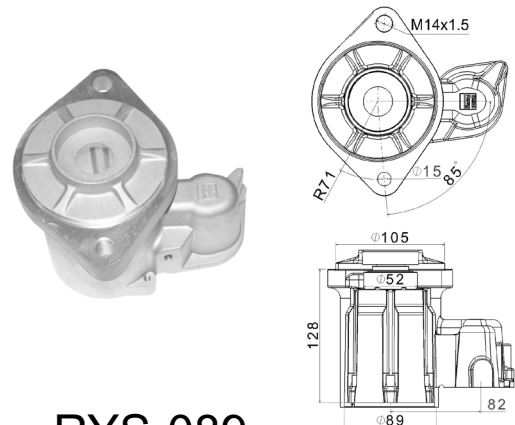
OE PN./Lester :	X10519785
For :	35MT
Mating :	RYS-025;RYS-088;RYS-089;RYS-095
Weight (kg):	0.23
Used on:	
NOTE:	



RYS-088

D.E. Housing

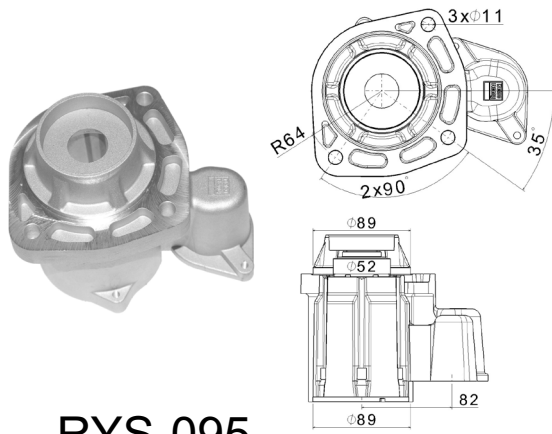
OE PN./Lester :	10544974
For :	35MT
Mating :	RYS-011;RYS-042;RYS-096;RYS-026
Weight (kg):	1.11
Used on:	
NOTE:	



RYS-089

D.E. Housing

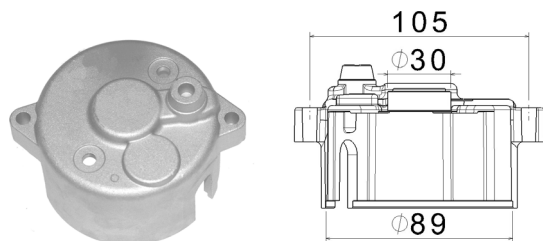
OE PN./Lester :	10537074
For :	35MT
Mating :	RYS-026;RYS-096
Weight (kg):	1.59
Used on:	
NOTE:	



RYS-095

D.E. Housing

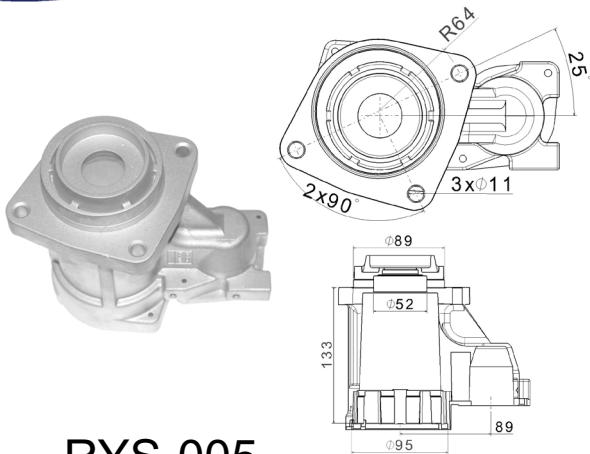
OE PN./Lester :	10546609
For :	35MT
Mating :	RYS-026;RYS-096
Weight (kg):	1.29
Used on:	
NOTE:	



RYS-096

C.E. Housing

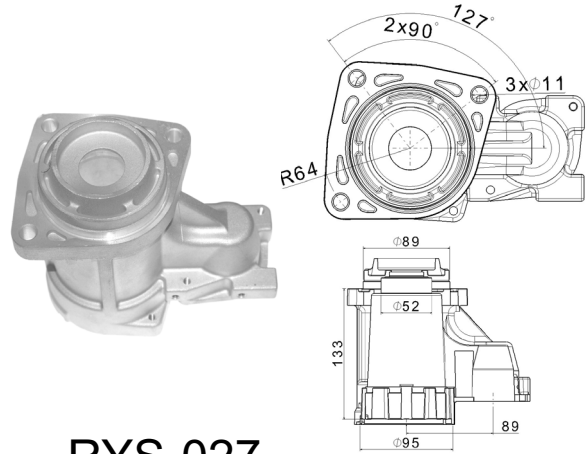
OE PN./Lester :	61000231
For :	35MT
Mating :	RYS-025;RYS-088;RYS-089;RYS-095
Weight (kg):	0.25
Used on:	
NOTE:	



RYS-005

D.E. Housing

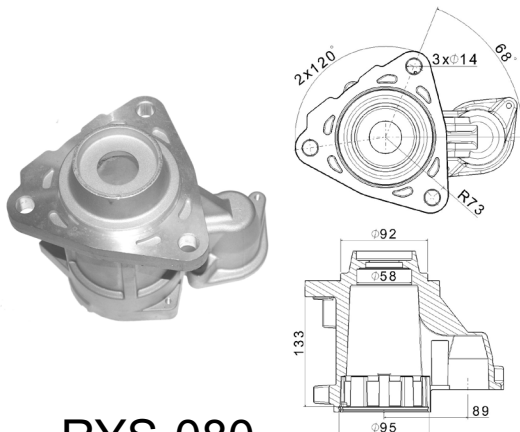
OE PN./Lester :	10517256
For :	38MT
Mating :	RYS-084
Weight (kg):	1.59
Used on:	
NOTE:	



RYS-027

D.E. Housing

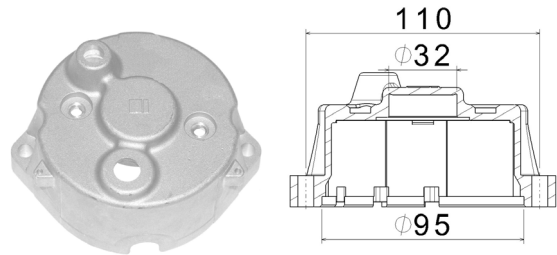
OE PN./Lester :	10518626
For :	38MT
Mating :	RYS-084
Weight (kg):	1.61
Used on:	
NOTE:	



RYS-080

D.E. Housing

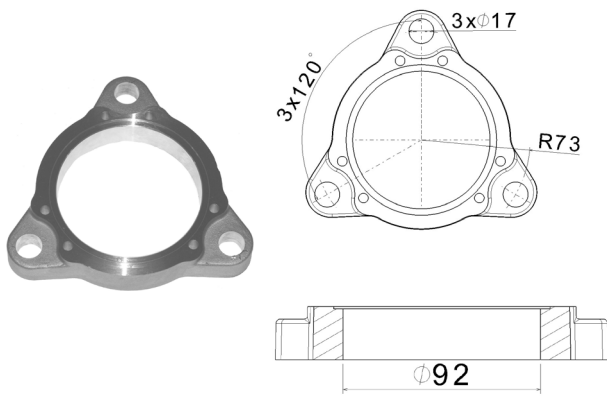
OE PN./Lester :	10537115
For :	38MT
Mating :	RYS-084
Weight (kg):	1.85
Used on:	
NOTE:	



RYS-084

C.E. Frame

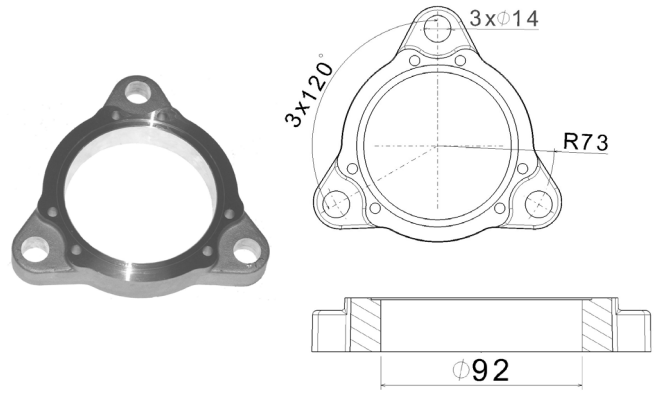
OE PN./Lester :	10542316
For :	38MT
Mating :	RYS-005;RYS-027;RYS-080
Weight (kg):	0.30
Used on:	
NOTE:	



RYS-011

Flange

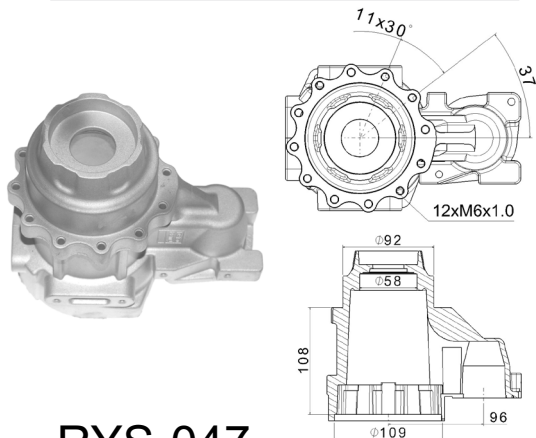
OE PN./Lester :	10518115
For :	39MT
Mating :	RYS-082
Weight (kg):	0.41
Used on:	
NOTE:	



RYS-042

Flange

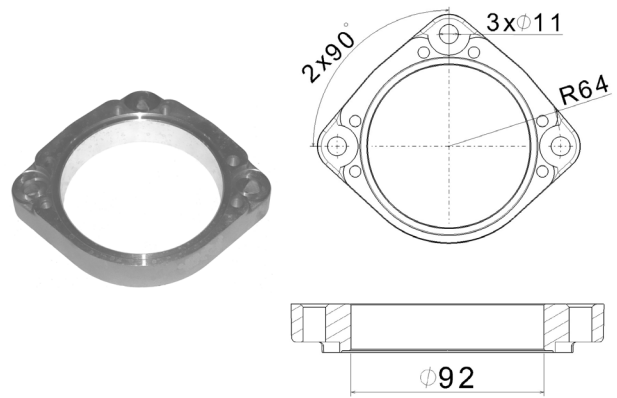
OE PN./Lester :	10525282
For :	39MT
Mating :	RYS-072; RYS-082
Weight (kg):	0.41
Used on:	
NOTE:	



RYS-047

D.E. Housing

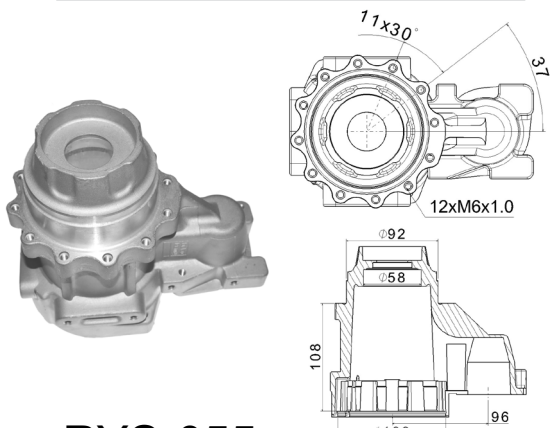
OE PN./Lester :	10528250
For :	39MT
Mating :	RYS-011;RYS-042;RYS-054
Weight (kg):	1.71
Used on:	
NOTE:	



RYS-054

Flange

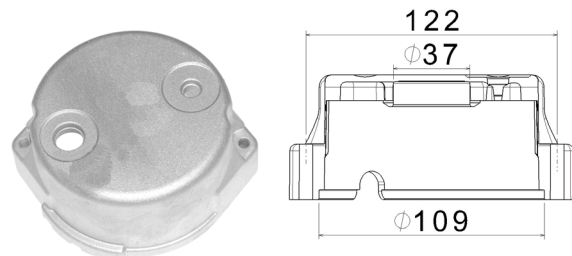
OE PN./Lester :	10529624
For :	39MT
Mating :	RYS-055;RYS-072;RYS-082
Weight (kg):	0.32
Used on:	
NOTE:	



RYS-055

D.E. Housing

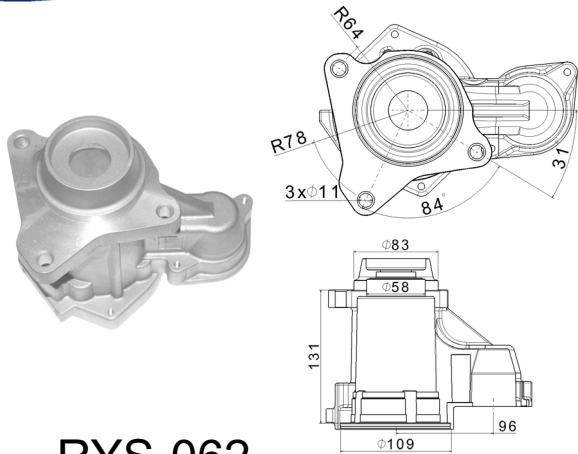
OE PN./Lester :	10529625
For :	39MT
Mating :	RYS-011;RYS-042;RYS-054
Weight (kg):	1.71
Used on:	
NOTE:	The same casting as RYS-012



RYS-061

C.E. Housing

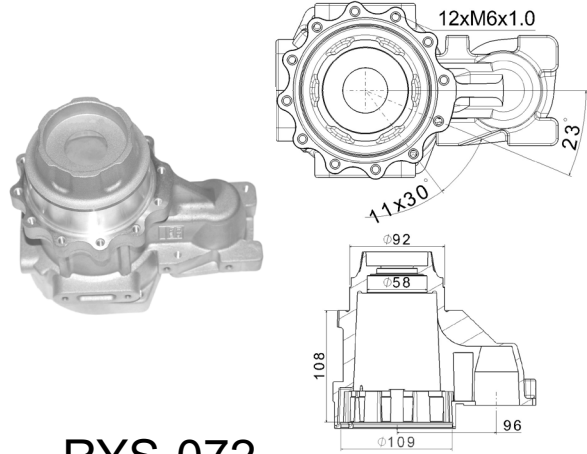
OE PN./Lester :	10533590
For :	39MT
Mating :	39MT D.E.Housing
Weight (kg):	0.43
Used on:	
NOTE:	



RYS-062

D.E. Housing

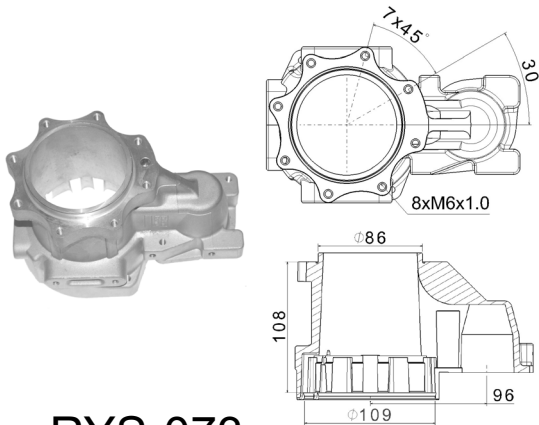
OE PN./Lester :	10533534
For :	39MT
Mating :	RYS-061
Weight (kg):	1.68
Used on:	
NOTE:	



RYS-072

D.E. Housing

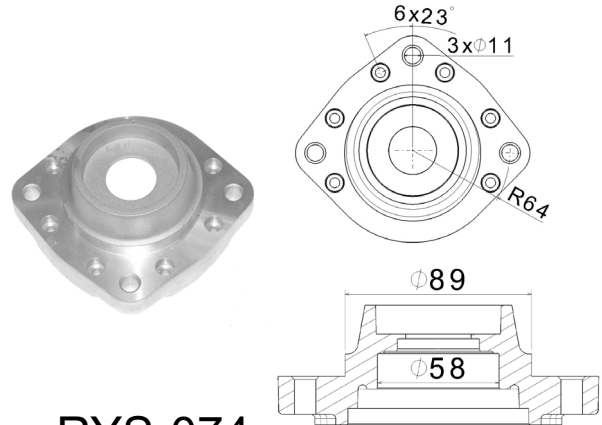
OE PN./Lester :	10533327
For :	39MT
Mating :	RYS-011;RYS-042;RYS-054
Weight (kg):	1.70
Used on:	
NOTE:	



RYS-073

Lever Housing

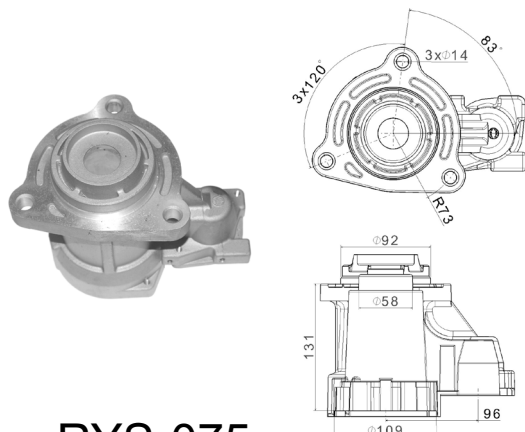
OE PN./Lester :	10537811
For :	39MT
Mating :	RYS-074
Weight (kg):	1.33
Used on:	
NOTE:	



RYS-074

Flange

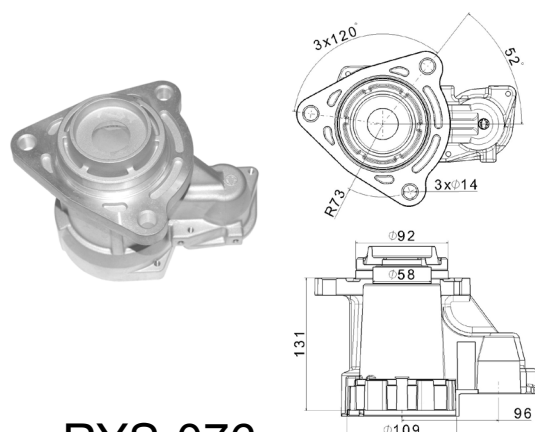
OE PN./Lester :	10537812
For :	39MT
Mating :	RYS-073
Weight (kg):	0.76
Used on:	
NOTE:	



RYS-075

D.E. Housing

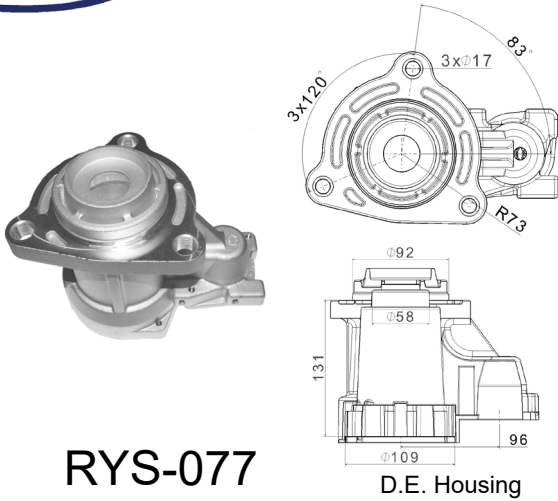
OE PN./Lester :	10537857
For :	39MT
Mating :	RYS-061
Weight (kg):	1.87
Used on:	
NOTE:	The same casting as RYS-033



RYS-076

D.E. Housing

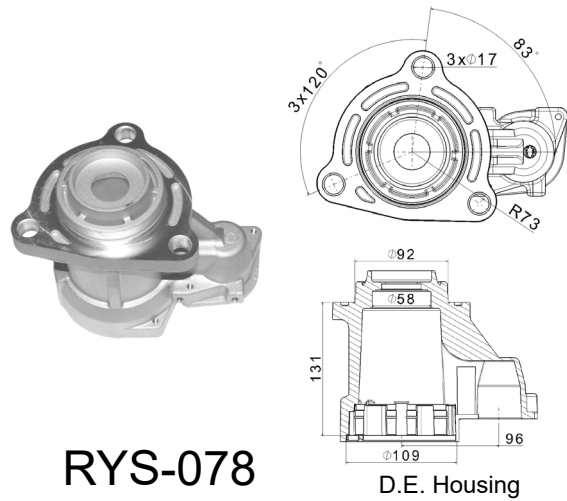
OE PN./Lester :	10537860
For :	39MT
Mating :	RYS-061
Weight (kg):	1.80
Used on:	
NOTE:	The same casting as RYS-046



RYS-077

D.E. Housing

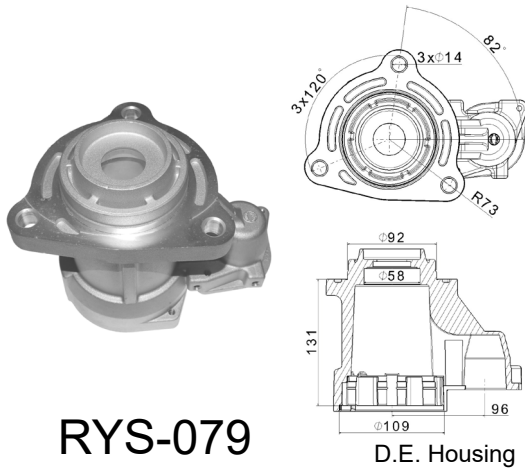
OE PN./Lester :	10537856
For :	39MT
Mating :	RYS-061
Weight (kg):	1.87
Used on:	
NOTE:	The same casting as RYS-016



RYS-078

D.E. Housing

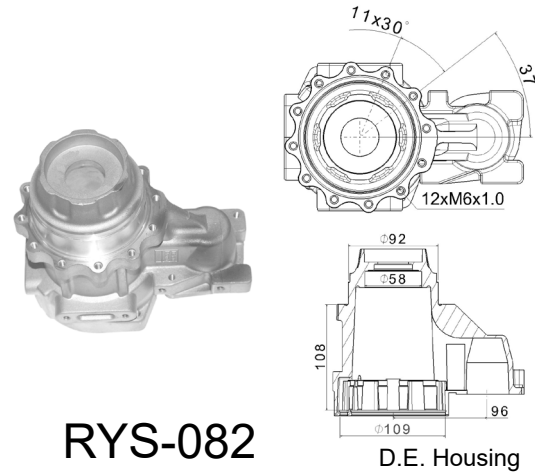
OE PN./Lester :	10538789
For :	39MT
Mating :	RYS-061
Weight (kg):	1.84
Used on:	
NOTE:	The same casting as RYS-038



RYS-079

D.E. Housing

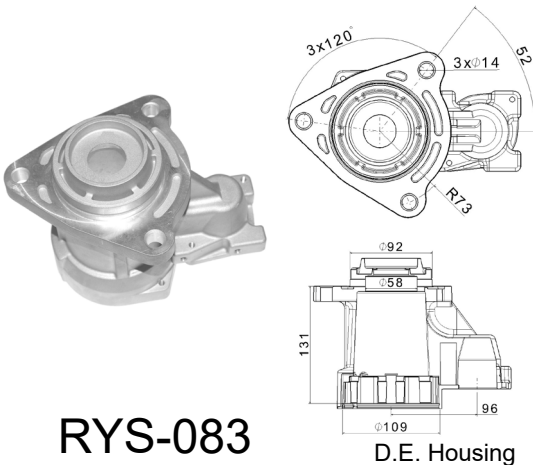
OE PN./Lester :	10538790
For :	39MT
Mating :	RYS-061
Weight (kg):	1.84
Used on:	
NOTE:	The same casting as RYS-039



RYS-082

D.E. Housing

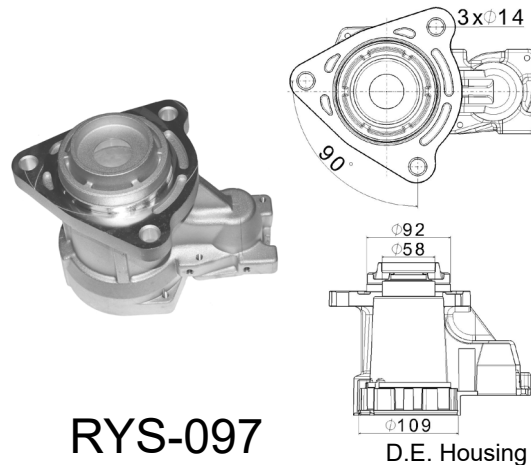
OE PN./Lester :	10541664
For :	39MT
Mating :	RYS-011;RYS-42;RYS-054
Weight (kg):	1.70
Used on:	
NOTE:	The same casting as RYS-055



RYS-083

D.E. Housing

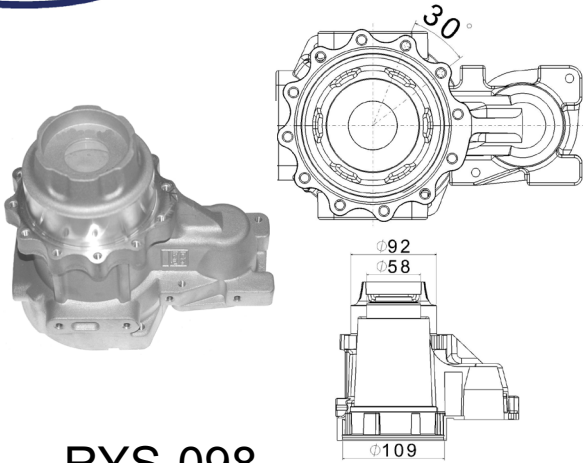
OE PN./Lester :	10539539
For :	39MT
Mating :	RYS-061
Weight (kg):	1.84
Used on:	
NOTE:	



RYS-097

D.E. Housing

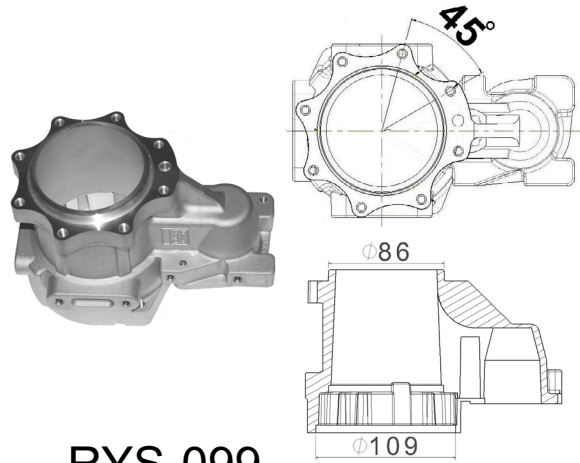
OE PN./Lester :	61001030
For :	39MT
Mating :	
Weight (kg):	1.87
Used on:	
NOTE:	



RYS-098

D.E. Housing

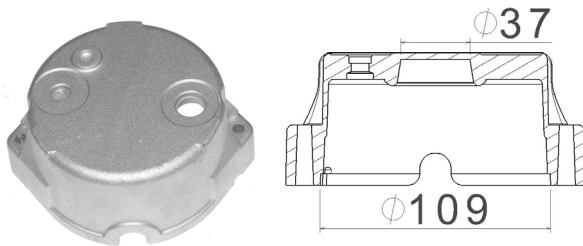
OE PN./Lester :	61000798
For :	39MT
Mating :	
Weight (kg):	1.76
Used on:	
NOTE:	



RYS-099

Lever Housing

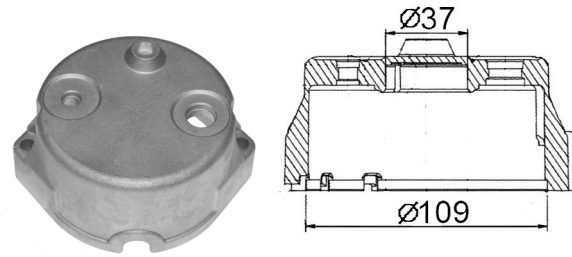
OE PN./Lester :	61006742
For :	39MT
Mating :	RYS-074
Weight (kg):	1.33
Used on:	
NOTE:	



RYS-100

D.E. Housing

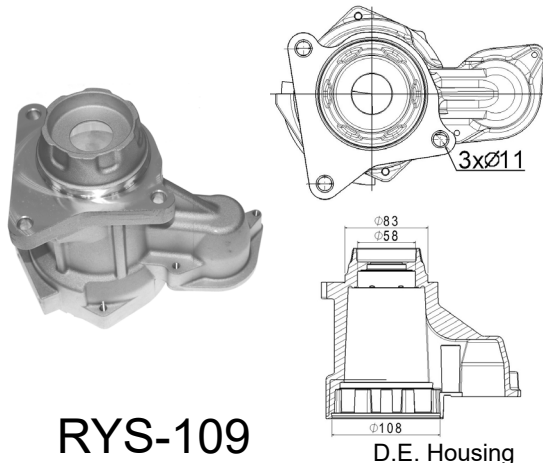
OE PN./Lester :	10544136
For :	39MT
Mating :	
Weight (kg):	0.44
Used on:	
NOTE:	



RYS-107

D.E. Housing

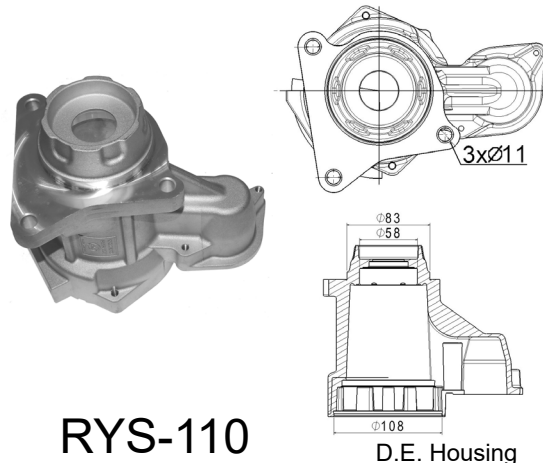
OE PN./Lester :	61014433
For :	39MT
Mating :	
Weight (kg):	0.37
Used on:	
NOTE:	



RYS-109

D.E. Housing

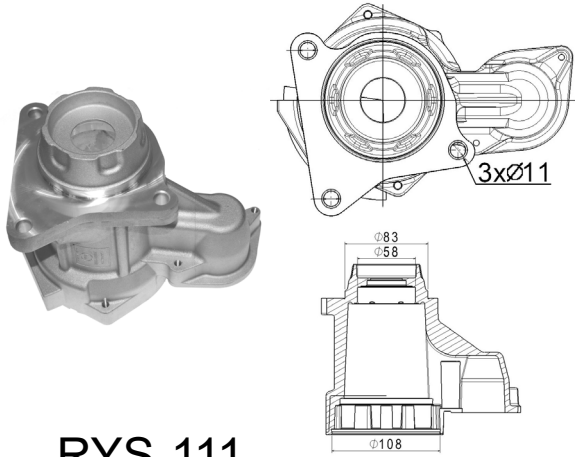
OE PN./Lester :	61015199
For :	39MT
Mating :	
Weight (kg):	1.68
Used on:	
NOTE:	



RYS-110

D.E. Housing

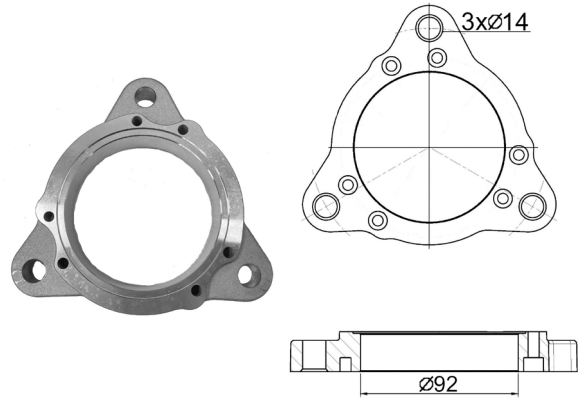
OE PN./Lester :	61015854
For :	39MT
Mating :	
Weight (kg):	1.68
Used on:	
NOTE:	



RYS-111

D.E. Housing

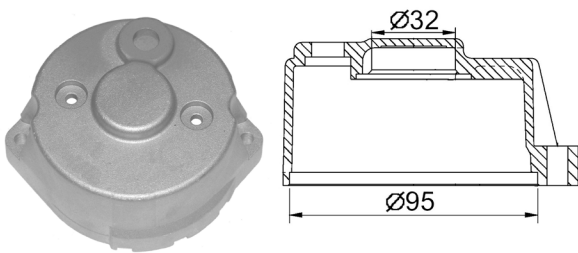
OE PN./Lester :	61015896
For :	39MT
Mating :	
Weight (kg):	1.68
Used on:	
NOTE:	



RYS-112

Flange

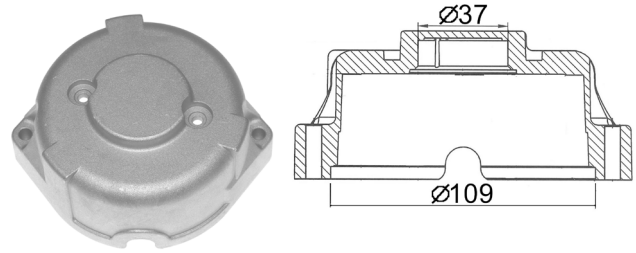
OE PN./Lester :	61015852
For :	39MT
Mating :	
Weight (kg):	0.42
Used on:	
NOTE:	



RYS-028

C.E. Housing

OE PN./Lester :	10511859
For :	39MT
Mating :	
Weight (kg):	0.27
Used on:	
NOTE:	



RYS-116

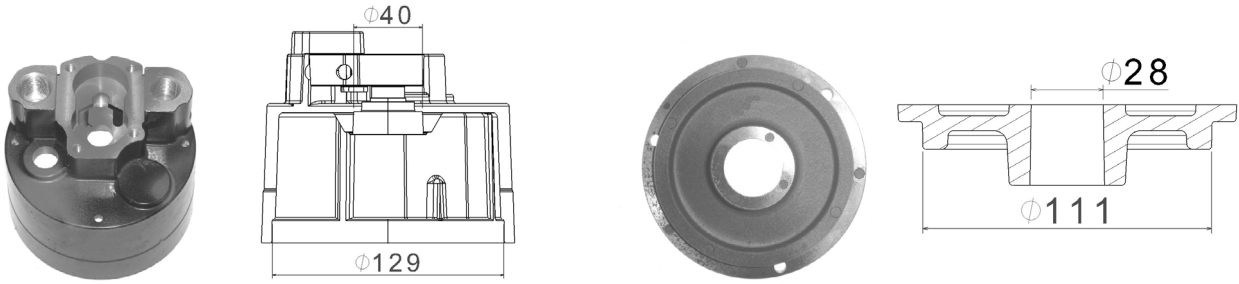
C.E. Housing

OE PN./Lester :	10543089
For :	39MT
Mating :	
Weight (kg):	0.361
Used on:	
NOTE:	



DELCO REMY STARTER

41MT



RYS-049 CE-Pump Housing

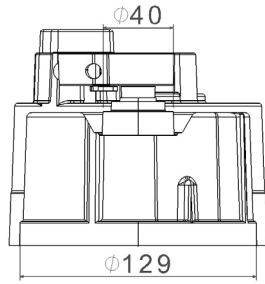
OE PN./Lester :	10512502
For :	41MT
Mating :	
Weight (kg):	1.13
Used on:	
NOTE:	

RYS-050 Housing-End

OE PN./Lester :	10477828
For :	41MT
Mating :	
Weight (kg):	0.38
Used on:	
NOTE:	



DELCO REMY STARTER

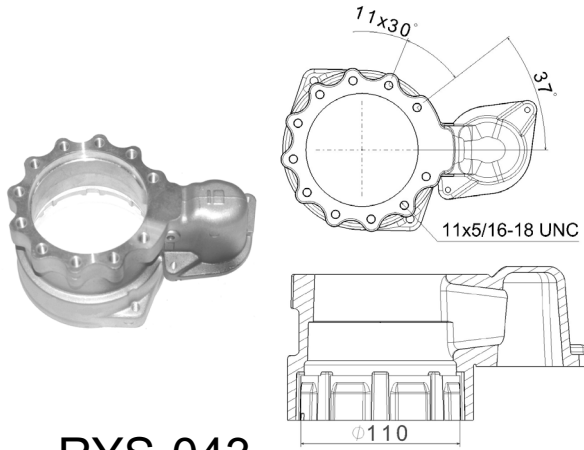


41RM

RYS-057

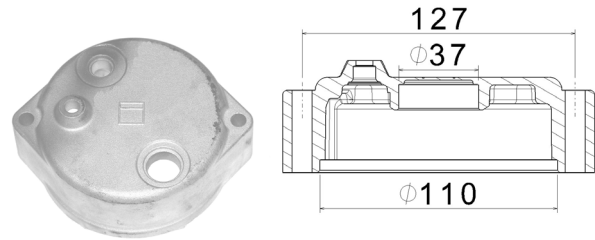
CE-Pump Housing

OE PN./Lester :	10522078
For :	41RM
Mating :	
Weight (kg):	1.13
Used on:	
NOTE:	The same casting as RYS-049



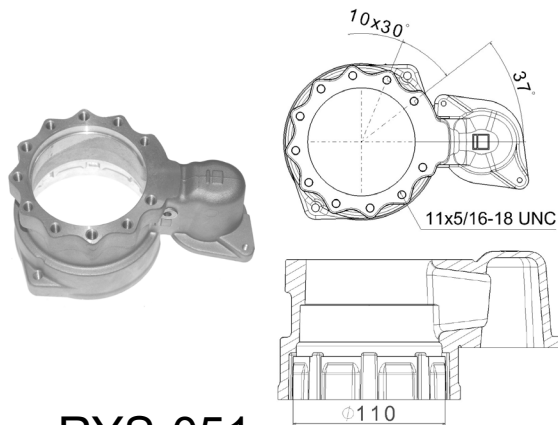
RYS-043 Lever Housing

OE PN./Lester :	10526462
For :	44MT
Mating :	RYS-044;RYS-053;RYS-064;RYS-065
Weight (kg):	0.91
Used on:	
NOTE:	



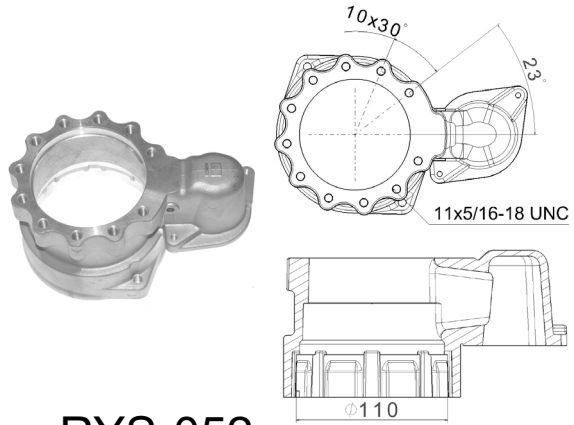
RYS-044 C.E. Housing

OE PN./Lester :	10526459
For :	44MT
Mating :	RYS-043;RYS-051;RYS-052;RYS-063
Weight (kg):	0.45
Used on:	
NOTE:	



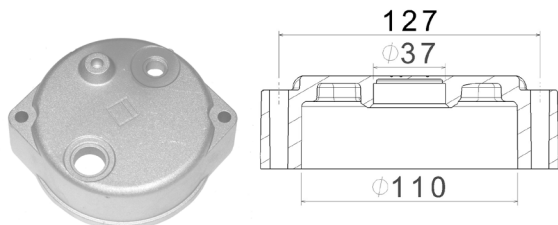
RYS-051 Lever Housing

OE PN./Lester :	10528095
For :	44MT
Mating :	RYS-044;RYS-053;RYS-064;RYS-065
Weight (kg):	0.88
Used on:	
NOTE:	



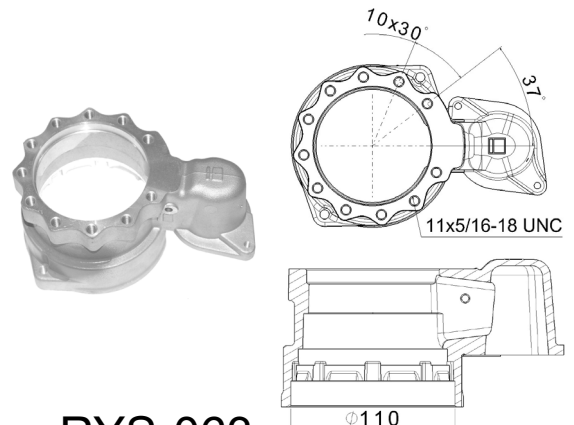
RYS-052 Lever Housing

OE PN./Lester :	10528902
For :	44MT
Mating :	RYS-044;RYS-053;RYS-064;RYS-065
Weight (kg):	0.90
Used on:	
NOTE:	The same casting as RYS-043



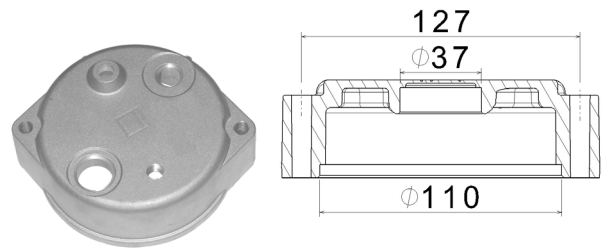
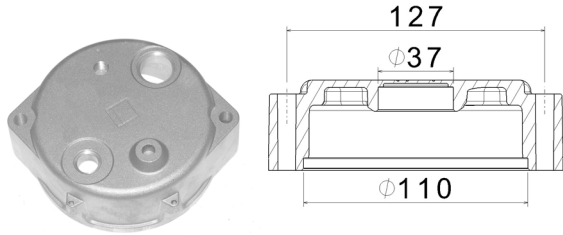
RYS-053 C.E. Housing

OE PN./Lester :	10528097
For :	44MT
Mating :	RYS-043;RYS-051;RYS-052;RYS-063
Weight (kg):	0.47
Used on:	
NOTE:	



RYS-063 Lever Housing

OE PN./Lester :	10530897
For :	44MT
Mating :	RYS-044;RYS-053;RYS-064;RYS-065
Weight (kg):	0.88
Used on:	
NOTE:	The same casting as RYS-051



RYS-064

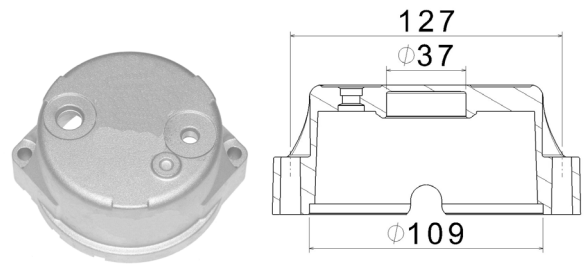
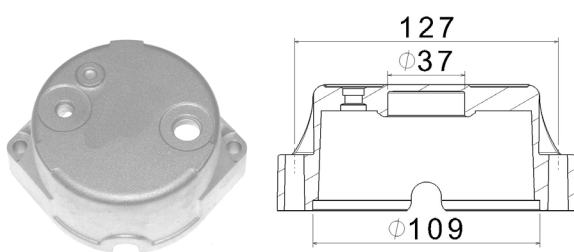
C.E. Housing

OE PN./Lester :	10536208
For :	44MT
Mating :	RYS-043;RYS-051;RYS-052;RYS-063
Weight (kg):	0.47
Used on:	
NOTE:	The same casting as RYS-053

RYS-065

C.E. Housing

OE PN./Lester :	10536365
For :	44MT
Mating :	RYS-043;RYS-051;RYS-052;RYS-063
Weight (kg):	0.47
Used on:	
NOTE:	The same casting as RYS-053



RYS-066

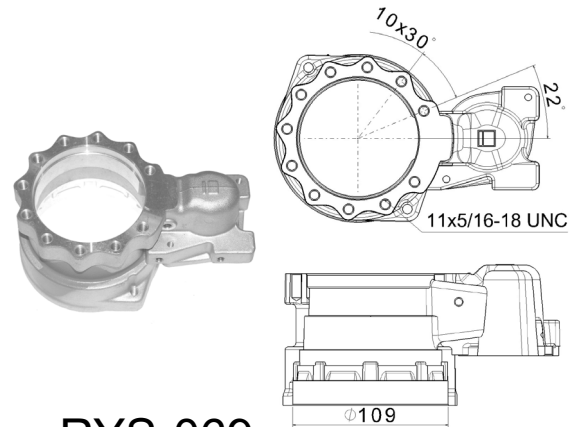
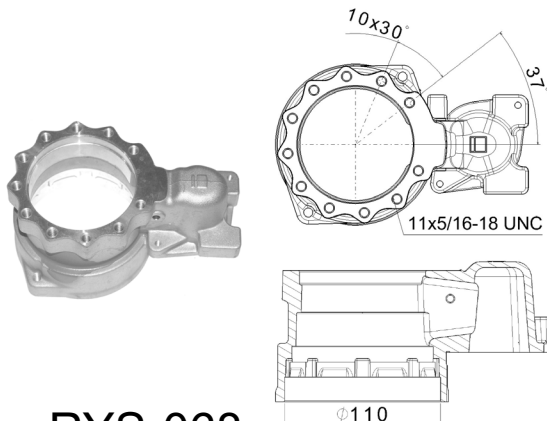
C.E. Housing

OE PN./Lester :	10536046
For :	44MT
Mating :	RYS-068;RYS-069
Weight (kg):	0.46
Used on:	
NOTE:	

RYS-067

C.E. Housing

OE PN./Lester :	10536561
For :	44MT
Mating :	RYS-068;RYS-069
Weight (kg):	0.48
Used on:	
NOTE:	



RYS-068

Lever Housing

OE PN./Lester :	10536483
For :	44MT
Mating :	RYS-066;RYS-067
Weight (kg):	0.99
Used on:	
NOTE:	

RYS-069

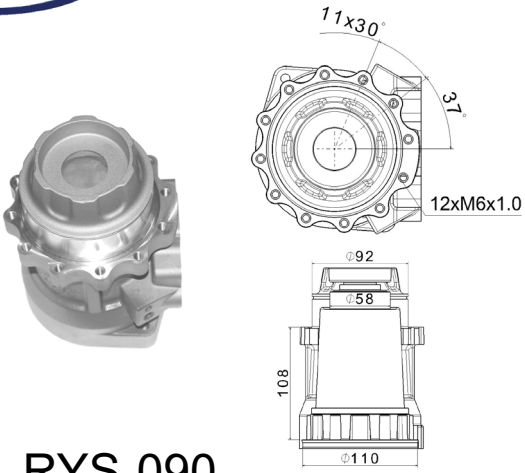
Lever Housing

OE PN./Lester :	10536195
For :	44MT
Mating :	RYS-066;RYS-067
Weight (kg):	1.00
Used on:	
NOTE:	



DELCO REMY STARTER

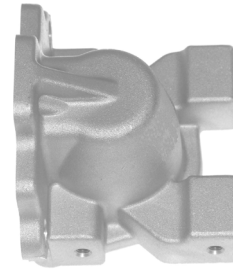
44MT



RYS-090

D.E. Housing

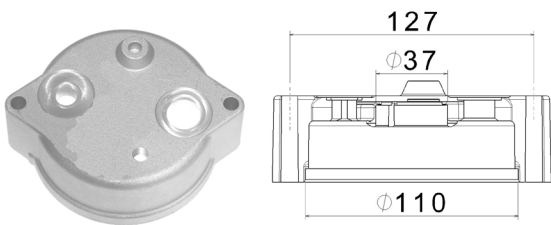
OE PN./Lester :	10542567
For :	44MT
Mating :	RYS-091;RYS-092
Weight (kg):	1.52
Used on:	
NOTE:	



RYS-091

D.E. Housing

OE PN./Lester :	10542571
For :	44MT
Mating :	RYS-090;RYS-092
Weight (kg):	0.41
Used on:	
NOTE:	



RYS-092

C.E. Housing

OE PN./Lester :	10542996
For :	44MT
Mating :	RYS-090;RYS-091
Weight (kg):	0.37
Used on:	
NOTE:	



DELCO REMY STARTER

50MT

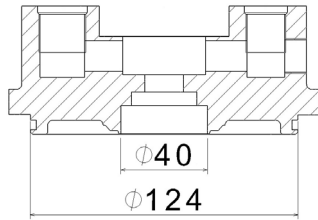


RYS-031-BLK Terminal Plate

OE PN./Lester :	10523571
For :	50MT
Mating :	RYS-048
Weight (kg):	0.16
Used on:	
NOTE:	Delco Remy Solenoid 50MT

RYS-045 Terminal Plate

OE PN./Lester :	10525982
For :	50MT
Mating :	RYS-048
Weight (kg):	0.16
Used on:	
NOTE:	



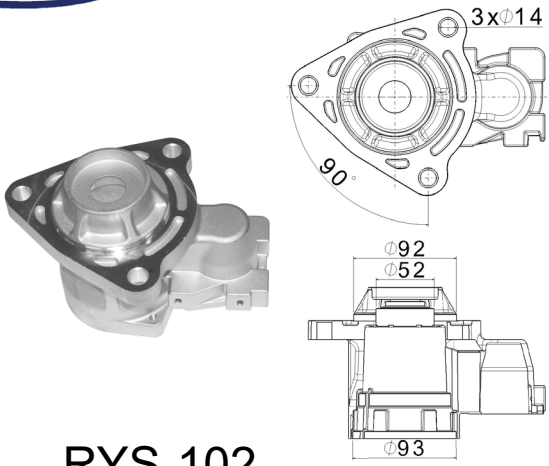
RYS-048 CE-Pump Housing

OE PN./Lester :	10512500
For :	50MT
Mating :	RYS-031;RYS-045
Weight (kg):	1.09
Used on:	
NOTE:	



DELCO REMY STARTER

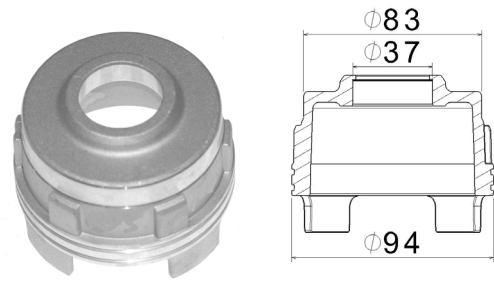
100MT



RYS-102

D.E. Housing

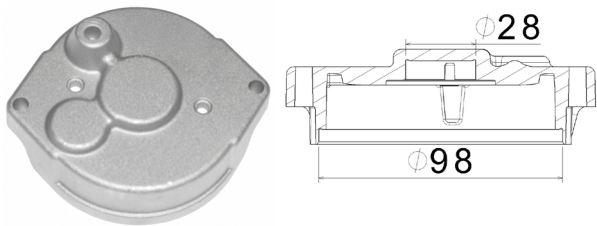
OE PN./Lester :	61002242
For :	100MT
Mating :	
Weight (kg):	1.61
Used on:	
NOTE:	



RYS-103

Clutch Housing

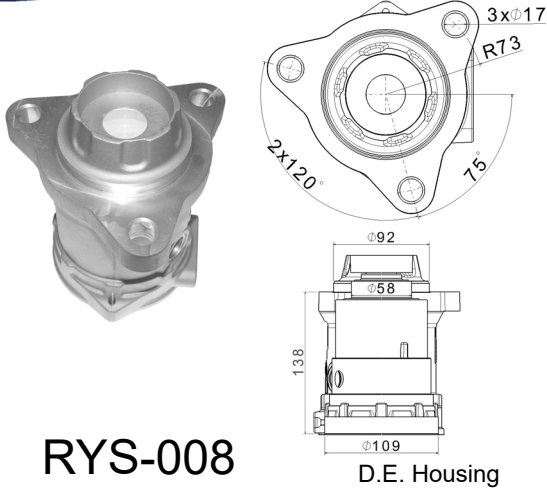
OE PN./Lester :	61003588
For :	100MT
Mating :	
Weight (kg):	0.31
Used on:	
NOTE:	



RYS-104

C.E. Housing

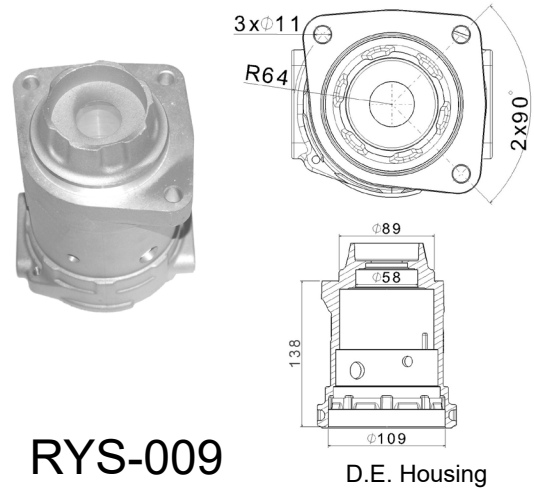
OE PN./Lester :	61007817
For :	100MT
Mating :	
Weight (kg):	0.26
Used on:	
NOTE:	



RYS-008

D.E. Housing

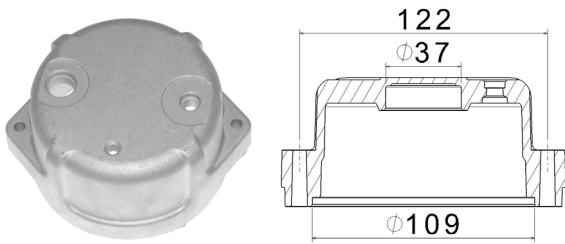
OE PN./Lester :	10519434
For :	ISPG
Mating :	RYS-010;RYS-022;RYS-023
Weight (kg):	1.50
Used on:	
NOTE:	



RYS-009

D.E. Housing

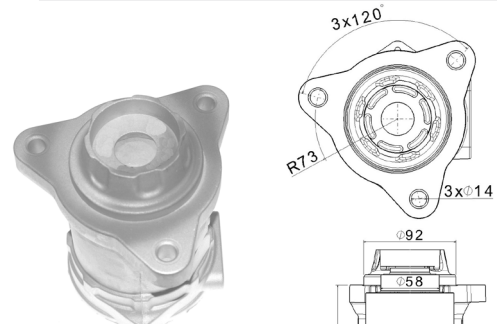
OE PN./Lester :	10517581
For :	ISPG
Mating :	RYS-010;RYS-022;RYS-023
Weight (kg):	1.35
Used on:	
NOTE:	



RYS-010

C.E. Frame

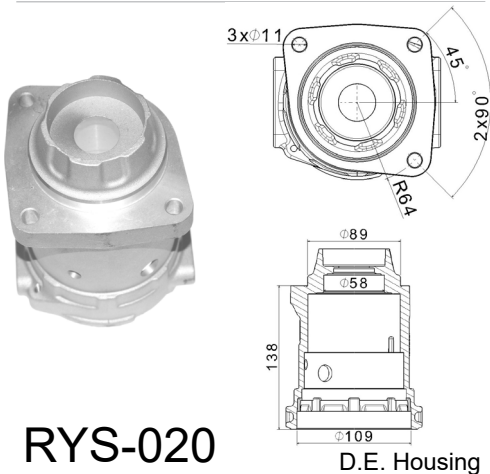
OE PN./Lester :	10518503
For :	ISPG
Mating :	IMT/ISPG D.E.Housing
Weight (kg):	0.41
Used on:	
NOTE:	



RYS-018

D.E. Housing

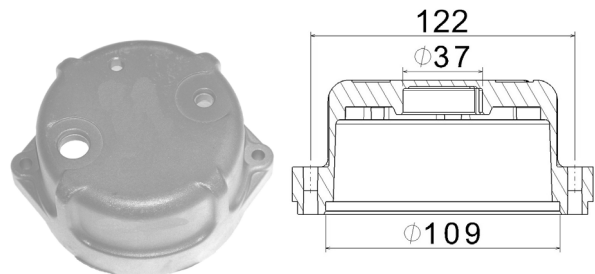
OE PN./Lester :	10517408
For :	ISPG
Mating :	RYS-010;RYS-022;RYS-023
Weight (kg):	1.50
Used on:	
NOTE:	The same casting as RYS-008



RYS-020

D.E. Housing

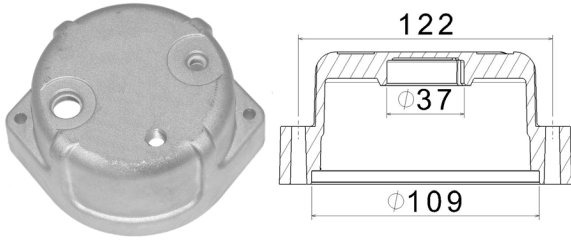
OE PN./Lester :	10518831
For :	ISPG
Mating :	RYS-010;RYS-022;RYS-023
Weight (kg):	1.35
Used on:	
NOTE:	The same casting as RYS-009



RYS-022

C.E. Frame

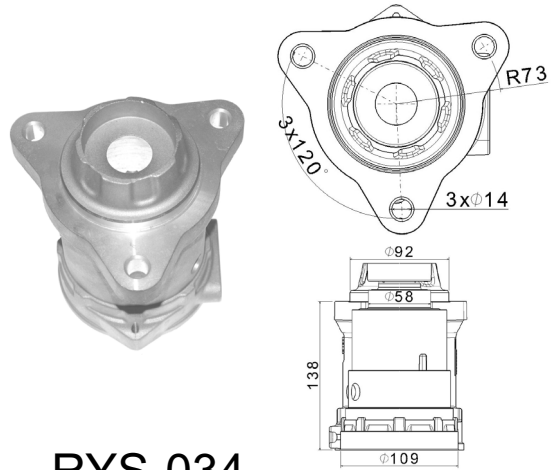
OE PN./Lester :	10512818
For :	ISPG
Mating :	IMT/ISPG D.E.Housing
Weight (kg):	0.46
Used on:	
NOTE:	



RYS-023

C.E. Frame

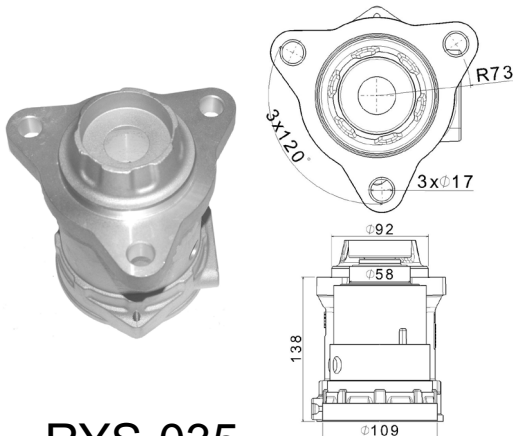
OE PN./Lester :	10520587
For :	ISPG
Mating :	IMT/ISPG D.E.Housing
Weight (kg):	0.42
Used on:	
NOTE:	



RYS-034

D.E. Housing

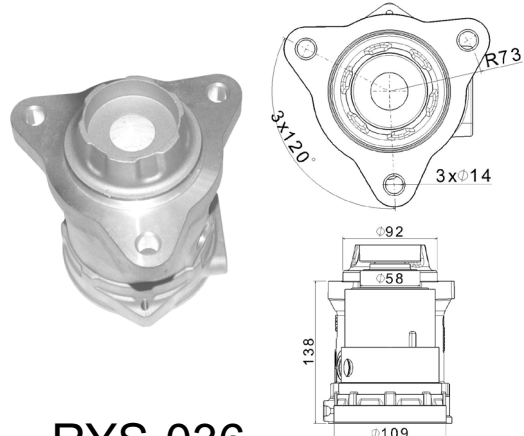
OE PN./Lester :	10523778
For :	IMT
Mating :	RYS-010;RYS-022;RYS-023
Weight (kg):	1.51
Used on:	
NOTE:	



RYS-035

D.E. Housing

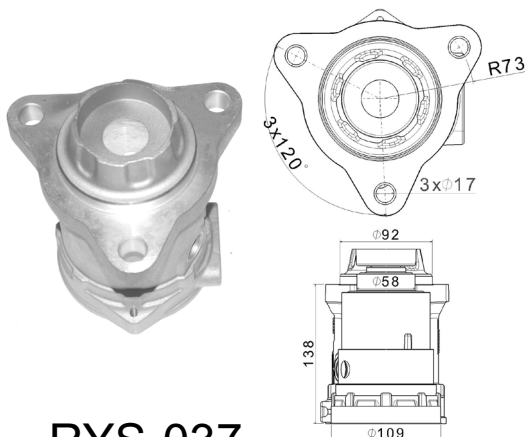
OE PN./Lester :	10524233
For :	IMT
Mating :	RYS-010;RYS-022;RYS-023
Weight (kg):	1.55
Used on:	
NOTE:	



RYS-036

D.E. Housing

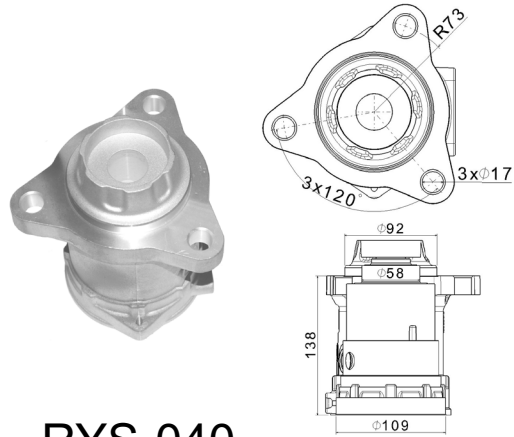
OE PN./Lester :	10524783
For :	IMT
Mating :	RYS-010;RYS-022;RYS-023
Weight (kg):	1.69
Used on:	
NOTE:	



RYS-037

D.E. Housing

OE PN./Lester :	10525068
For :	IMT
Mating :	RYS-010;RYS-022;RYS-023
Weight (kg):	1.69
Used on:	
NOTE:	The same casting as RYS-036



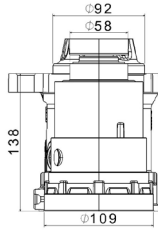
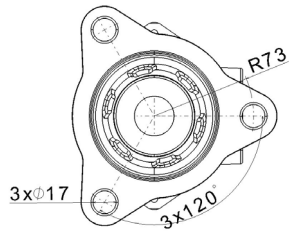
RYS-040

D.E. Housing

OE PN./Lester :	10524912
For :	IMT
Mating :	RYS-010;RYS-022;RYS-023
Weight (kg):	1.67
Used on:	
NOTE:	



DELCO REMY STARTER



RYS-041

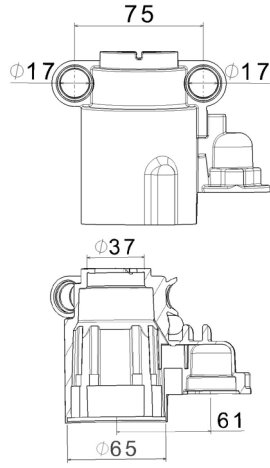
D.E. Housing

OE PN./Lester :	10525112
For :	IMT
Mating :	RYS-010;RYS-022;RYS-023
Weight (kg):	1.67
Used on:	
NOTE:	



DELCO REMY STARTER

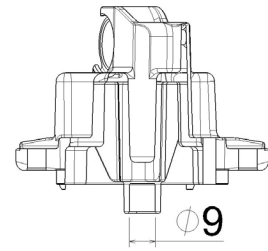
PG260



RYS-059

D.E. Housing

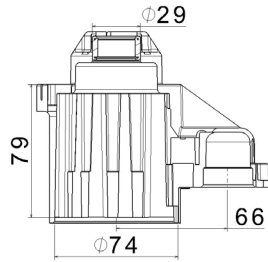
OE PN./Lester :	10522258
For :	PG260C
Mating :	RYS-060
Weight (kg):	0.34
Used on:	
NOTE:	



RYS-060

C.E. Frame

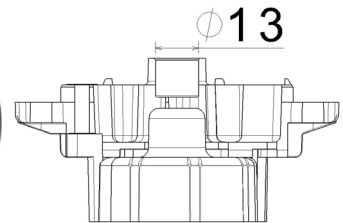
OE PN./Lester :	10522261
For :	PG260C
Mating :	RYS-059
Weight (kg):	0.23
Used on:	
NOTE:	



RYS-506

D.E. Housing

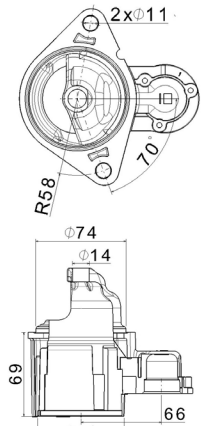
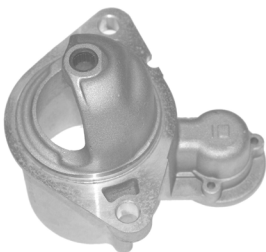
OE PN./Lester :	10485265
For :	PG260G
Mating :	RYS-507
Weight (kg):	0.44
Used on:	
NOTE:	



RYS-507

C.E. Frame

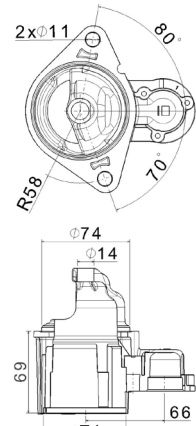
OE PN./Lester :	10503864
For :	PG260G
Mating :	RYS-506
Weight (kg):	0.18
Used on:	
NOTE:	



RYS-013

D.E. Housing

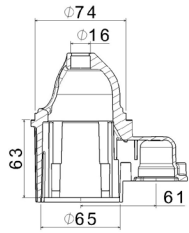
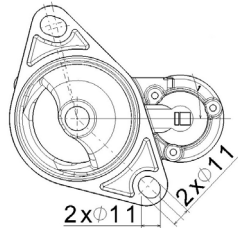
OE PN./Lester :	10518233
For :	PG260
Mating :	
Weight (kg):	0.55
Used on:	
NOTE:	



RYS-014

D.E. Housing

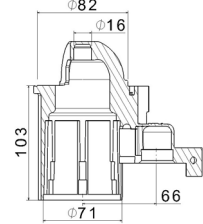
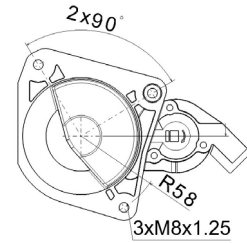
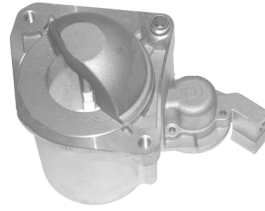
OE PN./Lester :	10518873
For :	PG260
Mating :	
Weight (kg):	0.55
Used on:	
NOTE:	



RYS-015

D.E. Housing

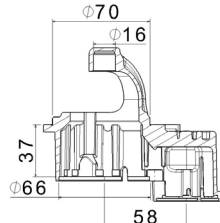
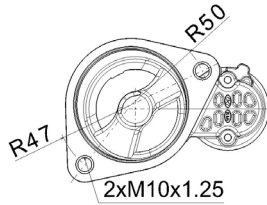
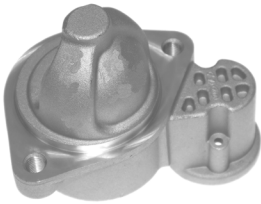
OE PN./Lester :	10518299
For :	PG260E
Mating :	
Weight (kg):	0.46
Used on:	
NOTE:	



RYS-024

D.E. Housing

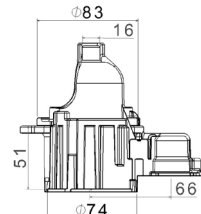
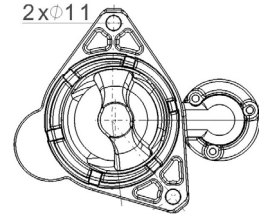
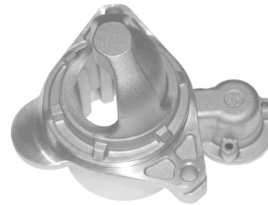
OE PN./Lester :	10510659
For :	PG260
Mating :	
Weight (kg):	0.83
Used on:	
NOTE:	



RYS-085

D.E. Housing

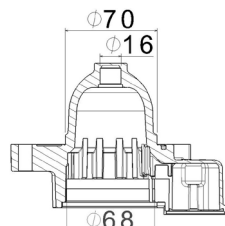
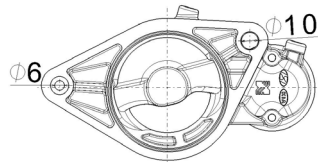
OE PN./Lester :	10543927
For :	PG260D
Mating :	
Weight (kg):	0.37
Used on:	
NOTE:	



RYS-502

D.E. Housing

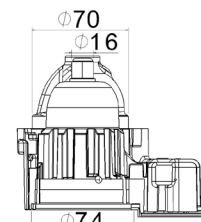
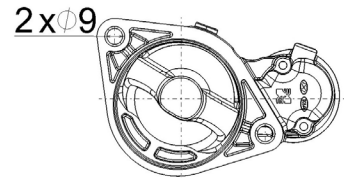
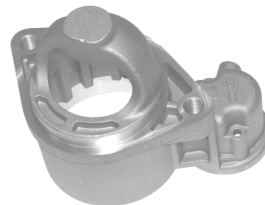
OE PN./Lester :	10510854
For :	PG260H
Mating :	
Weight (kg):	0.48
Used on:	
NOTE:	



RYS-105

D.E. Housing

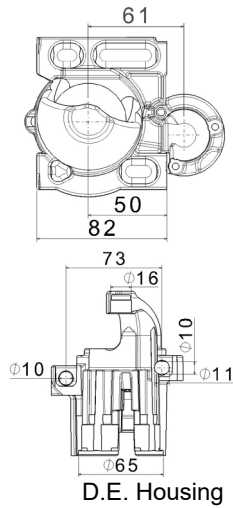
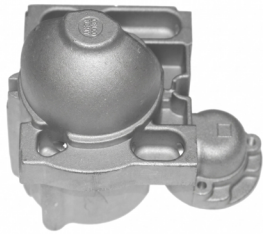
OE PN./Lester :	61003081
For :	PG260N3 LLS
Mating :	
Weight (kg):	0.50
Used on:	
NOTE:	



RYS-106

D.E. Housing

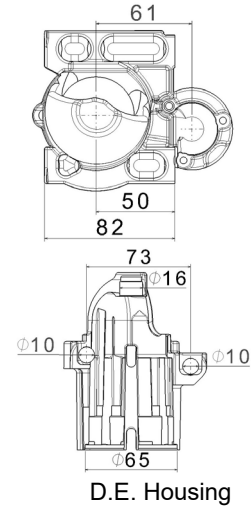
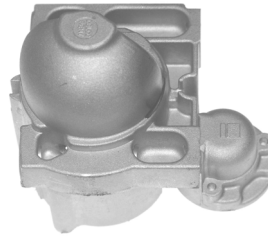
OE PN./Lester :	61003318
For :	PG260N3 LLS
Mating :	
Weight (kg):	0.51
Used on:	
NOTE:	



RYS-500

D.E. Housing

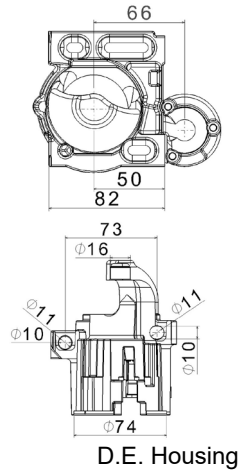
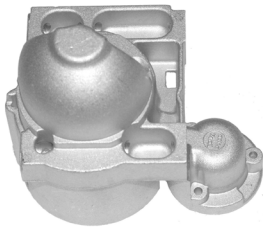
OE PN./Lester :	10525135
For :	PG260D
Mating :	
Weight (kg):	0.56
Used on:	
NOTE:	



RYS-501

D.E. Housing

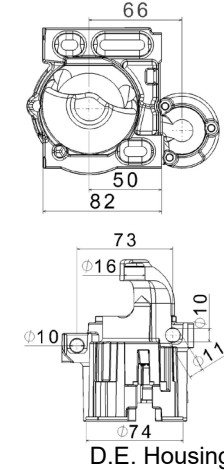
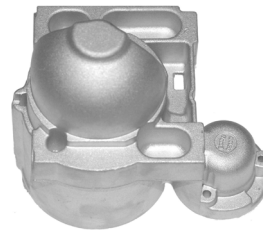
OE PN./Lester :	10502022
For :	PG260D
Mating :	
Weight (kg):	0.56
Used on:	
NOTE:	The same casting as RYS-500



RYS-503

D.E. Housing

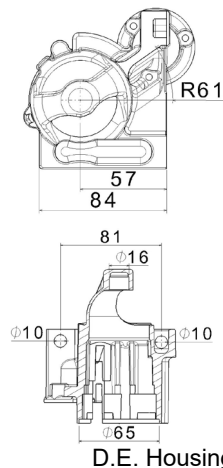
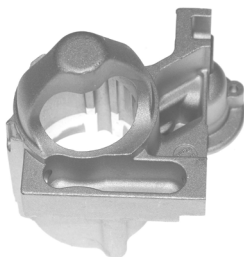
OE PN./Lester :	10511099
For :	PG260H
Mating :	
Weight (kg):	0.60
Used on:	
NOTE:	



RYS-504

D.E. Housing

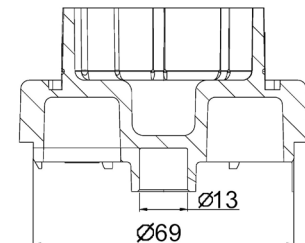
OE PN./Lester :	10525130
For :	PG260D
Mating :	
Weight (kg):	0.60
Used on:	
NOTE:	The same casting as RYS-503



RYS-505

D.E. Housing

OE PN./Lester :	10510923
For :	PG260D
Mating :	
Weight (kg):	0.46
Used on:	
NOTE:	



RYS-108

C.E. Frame

OE PN./Lester :	61019709
For :	PG260G
Mating :	
Weight (kg):	0.18
Used on:	
NOTE:	