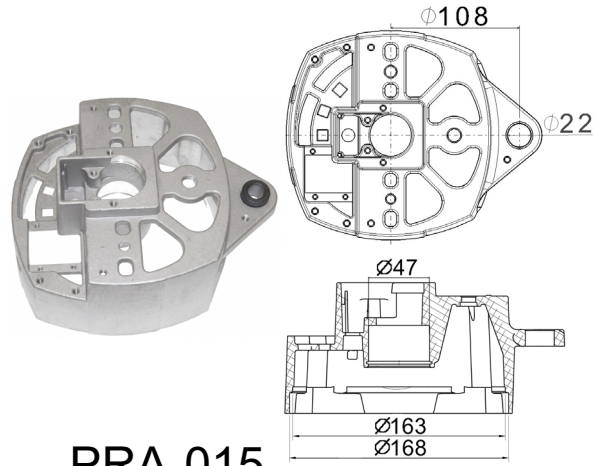


PRA-016

D.E. Frame

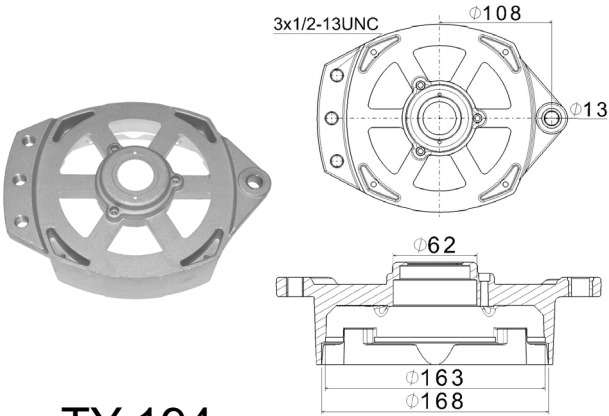
OE PN./Lester :	A015102959
For :	8SC
Mating :	PRA-015
Weight (kg):	1.32
Used on:	
NOTE:	OE:110-258, Lester:8422



PRA-015

S.R.E. Frame

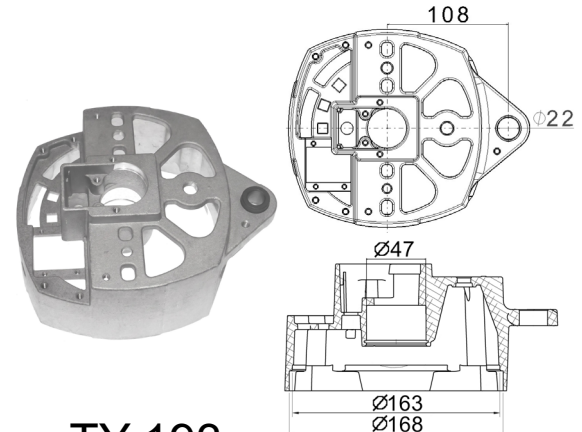
OE PN./Lester :	A012102963
For :	8SC
Mating :	PRA-016
Weight (kg):	1.40
Used on:	
NOTE:	OE:110-258, Lester:8422



TY-194

D.E. Frame

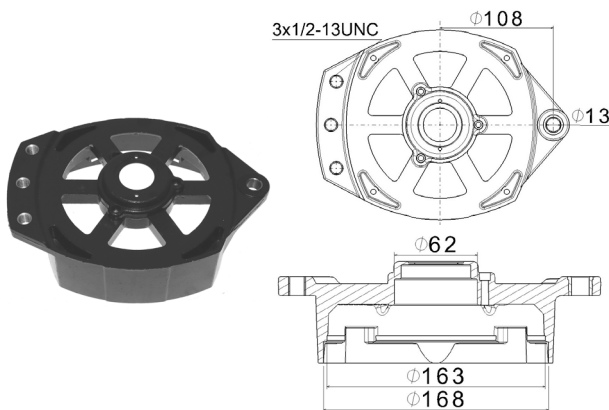
OE PN./Lester :	
For :	8SC
Mating :	TY-193
Weight (kg):	1.32
Used on:	
NOTE:	The same casting as PRA-016



TY-193

S.R.E. Frame

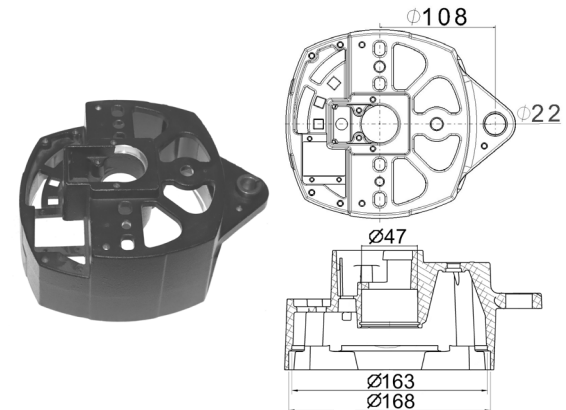
OE PN./Lester :	
For :	8SC
Mating :	TY-194
Weight (kg):	1.40
Used on:	
NOTE:	The same casting as PRA-015



PRA-016-BLK

D.E. Frame

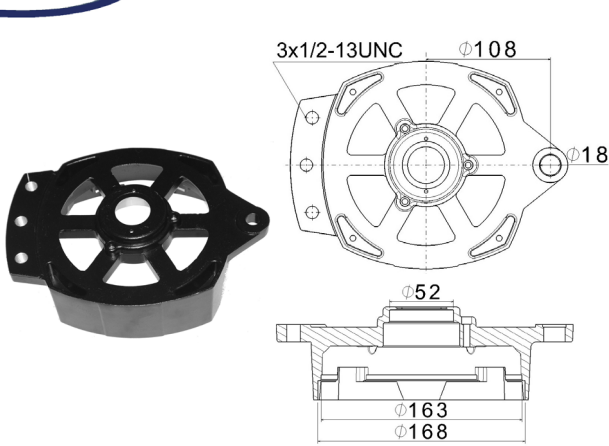
OE PN./Lester :	A015102958
For :	8SC
Mating :	PRA-015-BLK
Weight (kg):	1.32
Used on:	
NOTE:	OE:110-258, Lester:8422



PRA-015-BLK

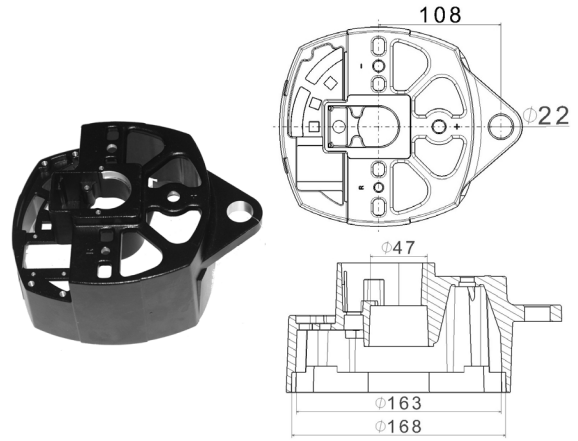
S.R.E. Frame

OE PN./Lester :	A012102962
For :	8SC
Mating :	PRA-016-BLK
Weight (kg):	1.40
Used on:	
NOTE:	OE:110-258, Lester:8422



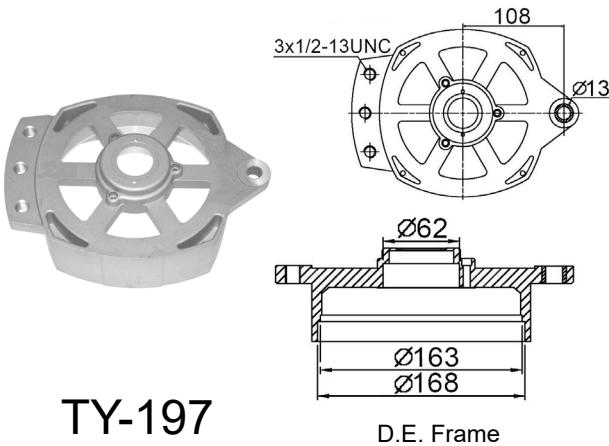
PRA-065-BLK D.E. Frame

OE PN./Lester :	1544372C01
For :	8SC
Mating :	PRA-066
Weight (kg):	1.28
Used on:	
NOTE:	



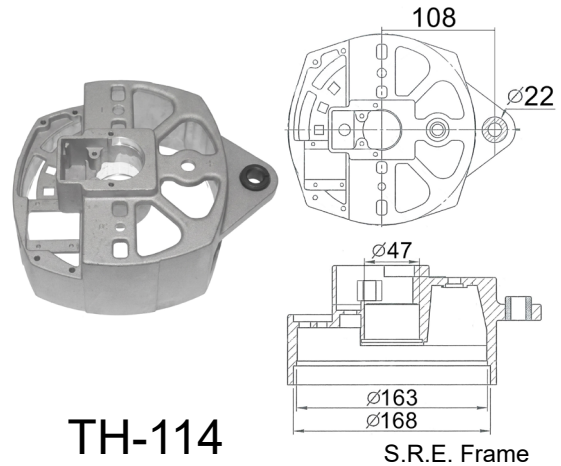
PRA-066-BLK S.R.E. Frame

OE PN./Lester :	1544373C06
For :	8SC
Mating :	PRA-065
Weight (kg):	1.24
Used on:	
NOTE:	



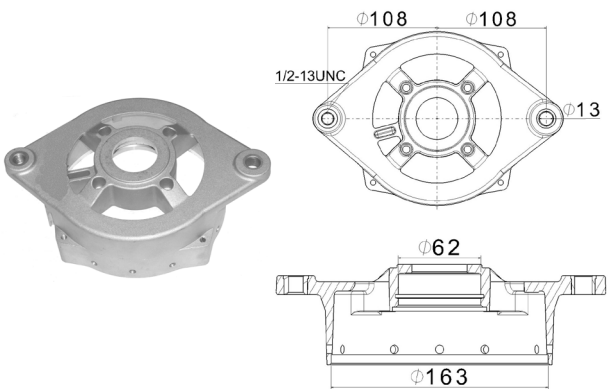
TY-197 D.E. Frame

OE PN./Lester :	
For :	8SC
Mating :	TH-114
Weight (kg):	1.28
Used on:	
NOTE:	The same casting as PRA-004,PRA-065



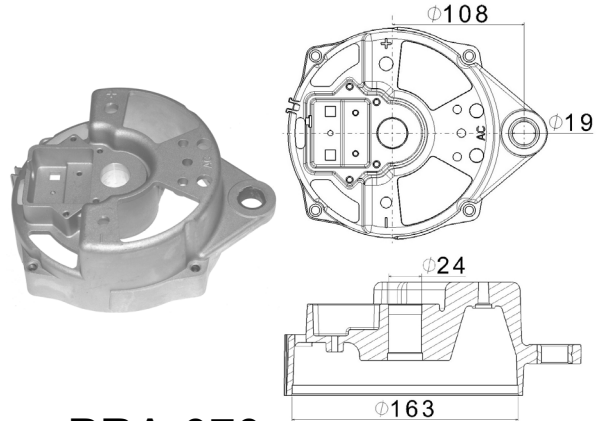
TH-114 S.R.E. Frame

OE PN./Lester :	
For :	8SC
Mating :	TY-197
Weight (kg):	1.24
Used on:	
NOTE:	



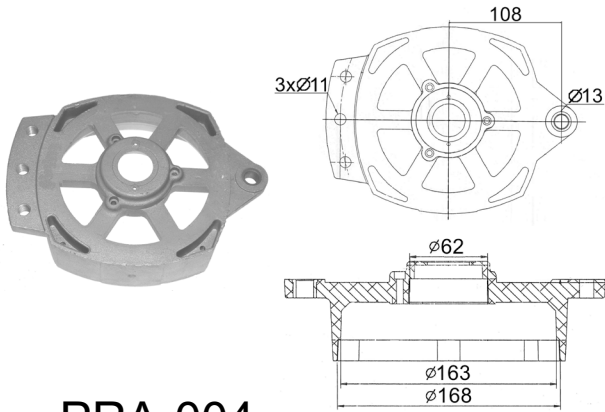
PRA-069 D.E. Frame

OE PN./Lester :	A015102301
For :	8SC
Mating :	PRA-070
Weight (kg):	1.11
Used on:	
NOTE:	



PRA-070 S.R.E. Frame

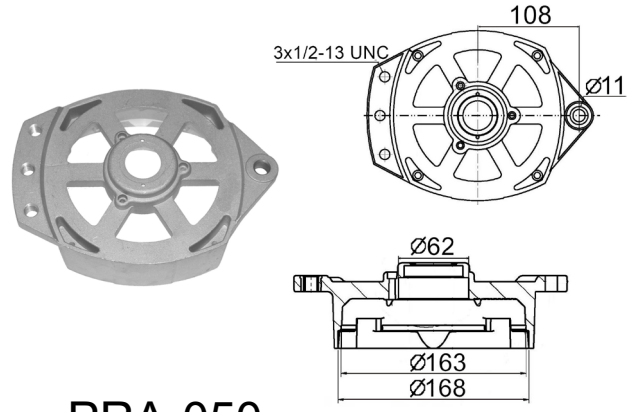
OE PN./Lester :	A012103247
For :	8SC
Mating :	PRA-069
Weight (kg):	1.21
Used on:	
NOTE:	



PRA-004

D.E. Frame

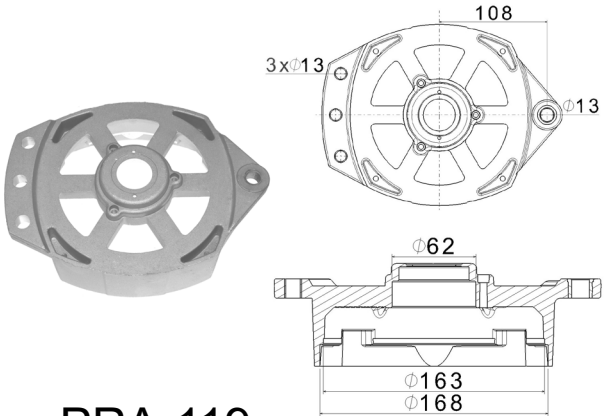
OE PN./Lester :	1544372C50
For :	8SC
Mating :	
Weight (kg):	1.28
Used on:	
NOTE:	



PRA-050

D.E. Frame

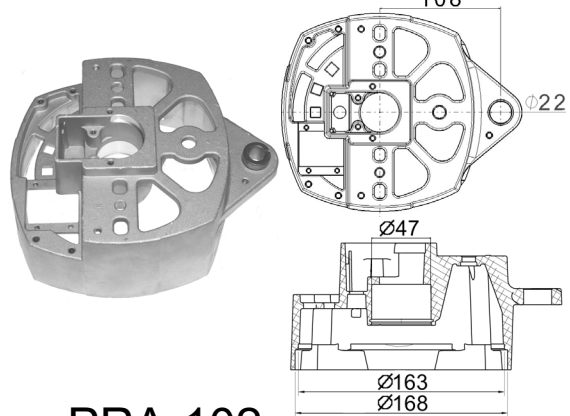
OE PN./Lester :	A960105989
For :	8SC
Mating :	
Weight (kg):	1.33
Used on:	
NOTE:	The same casting as PRA-016



PRA-119

D.E. Frame

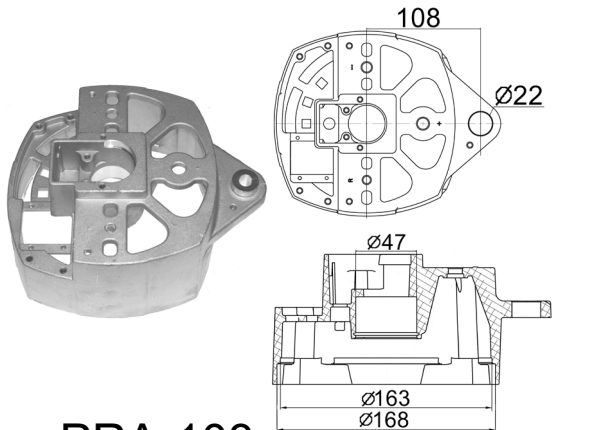
OE PN./Lester :	A015104754
For :	8SC
Mating :	
Weight (kg):	1.32
Used on:	
NOTE:	The same casting as PRA-016



PRA-102

S.R.E. Frame

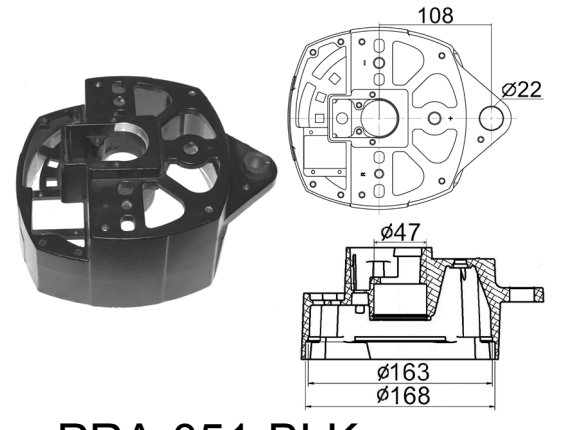
OE PN./Lester :	A012105664
For :	8SC
Mating :	
Weight (kg):	1.40
Used on:	
NOTE:	The same casting as PRA-015



PRA-103

S.R.E. Frame

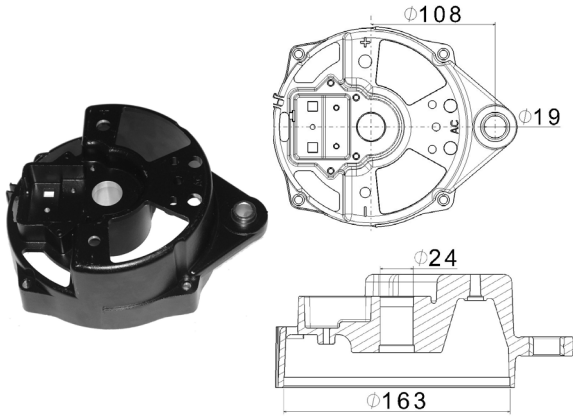
OE PN./Lester :	A012107034
For :	8SC
Mating :	
Weight (kg):	1.40
Used on:	
NOTE:	The same casting as PRA-015



PRA-051-BLK

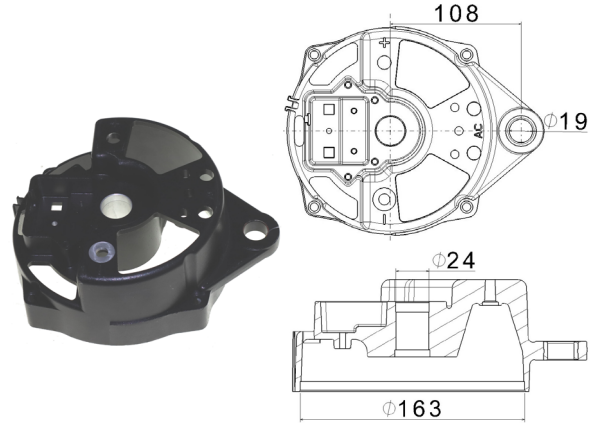
S.R.E. Frame

OE PN./Lester :	A012104338
For :	8SC
Mating :	
Weight (kg):	1.27
Used on:	
NOTE:	



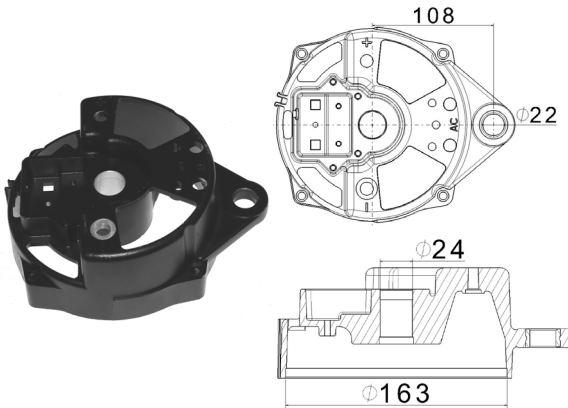
PRA-070-BLK S.R.E. Frame

OE PN./Lester :	A012104270
For :	8SC
Mating :	
Weight (kg):	1.21
Used on:	
NOTE:	



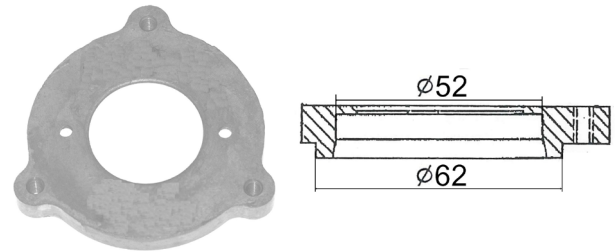
PRA-071-BLK S.R.E. Frame

OE PN./Lester :	A012103729
For :	8SC
Mating :	
Weight (kg):	1.21
Used on:	
NOTE:	The same casting as PRA-070



PRA-072-BLK S.R.E. Frame

OE PN./Lester :	A012106094
For :	8SC
Mating :	
Weight (kg):	1.21
Used on:	
NOTE:	The same casting as PRA-070



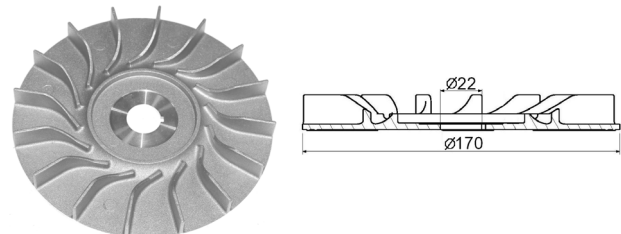
PRA-011 Retainer Bearing

OE PN./Lester :	4244701C50
For :	8SC
Mating :	
Weight (kg):	0.15
Used on:	
NOTE:	



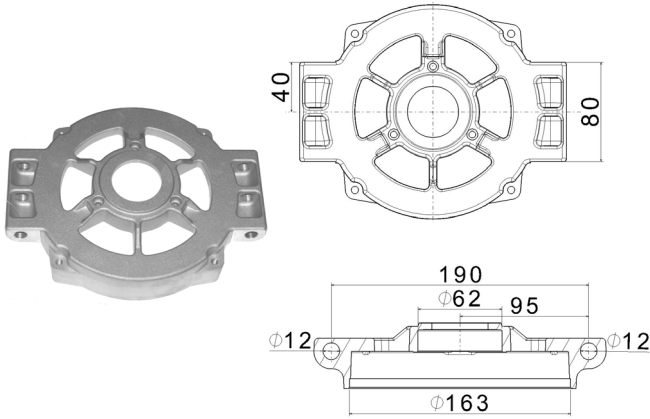
TM-513 Cover

OE PN./Lester :	
For :	8SC
Mating :	VIF-032-X, TM-509, VIR-030, TM-529
Weight (kg):	0.05
Used on:	
NOTE:	



TM-529 Fan

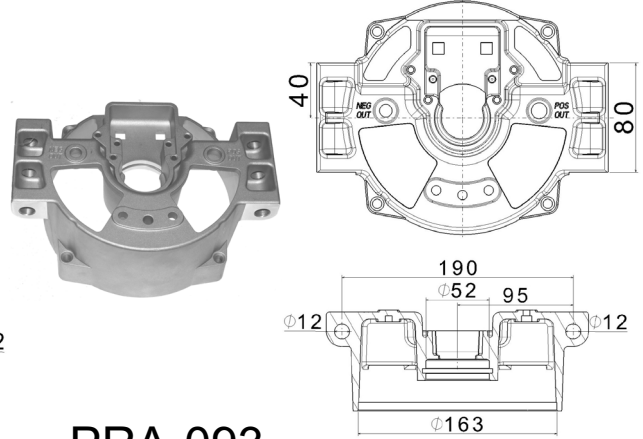
OE PN./Lester :	
For :	8SC
Mating :	VIF-032-X, TM-509, VIR-030, TM-513-99
Weight (kg):	0.30
Used on:	
NOTE:	



PRA-092

D.E. Frame

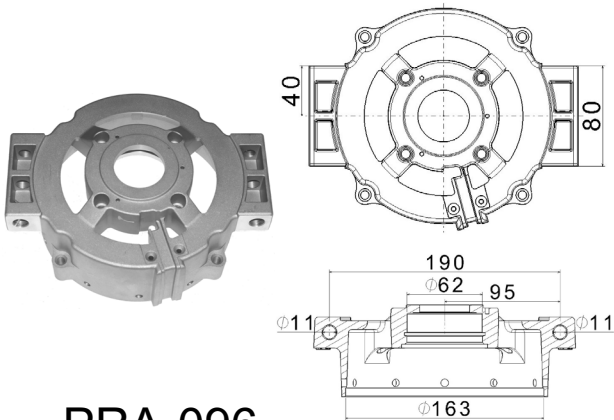
OE PN./Lester :	1571242A01
For :	555/Brushless
Mating :	PRA-093
Weight (kg):	0.80
Used on:	
NOTE:	



PRA-093

S.R.E. Frame

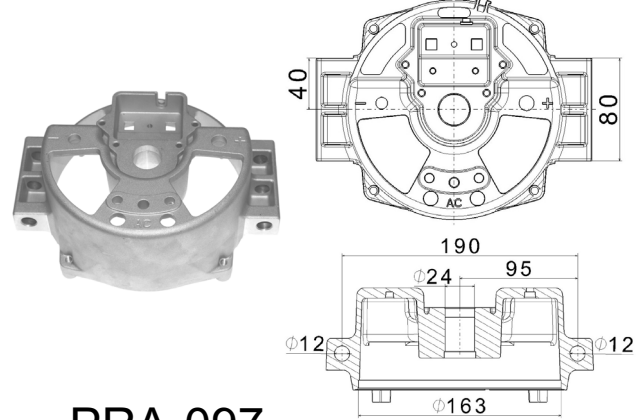
OE PN./Lester :	1571244A01
For :	555/Brushless
Mating :	PRA-092
Weight (kg):	1.20
Used on:	
NOTE:	



PRA-096

D.E. Frame

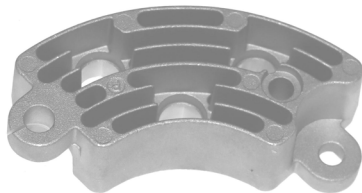
OE PN./Lester :	A015103880/P
For :	Brushless
Mating :	PRA-097
Weight (kg):	1.24
Used on:	
NOTE:	



PRA-097

S.R.E. Frame

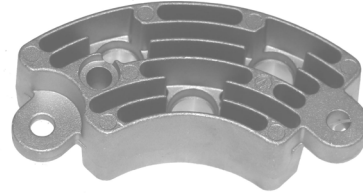
OE PN./Lester :	A012105696/P
For :	Brushless
Mating :	PRA-096
Weight (kg):	1.18
Used on:	
NOTE:	



PRA-098

Positive Rectifier Ring

OE PN./Lester :	A777103198/P
For :	555/Brushless
Mating :	
Weight (kg):	0.13
Used on:	
NOTE:	



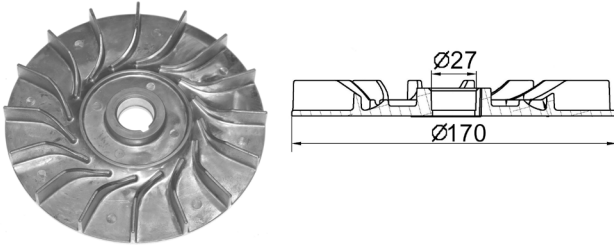
PRA-099

Negative Rectifier Ring

OE PN./Lester :	A777103199/P
For :	555/Brushless
Mating :	
Weight (kg):	0.13
Used on:	
NOTE:	



PRESTOLITE ALTERNATOR

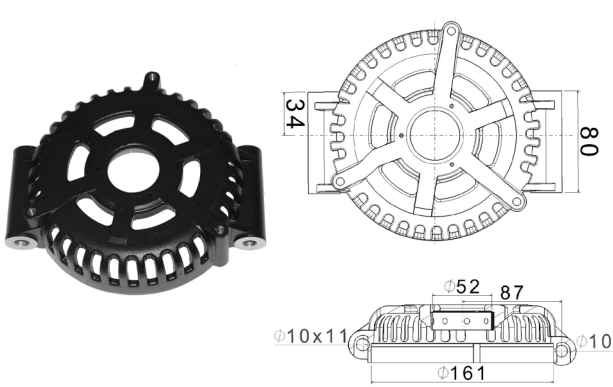


PRA-106-NW

Fan

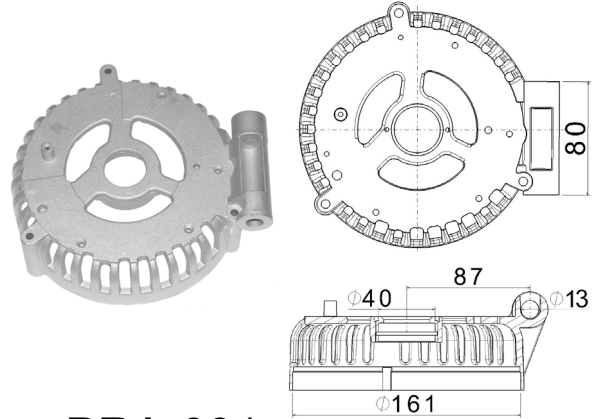
OE PN./Lester :	A041102916
For :	555/Brushless/HAB
Mating :	
Weight (kg):	0.31
Used on:	
NOTE:	

555/Brushless



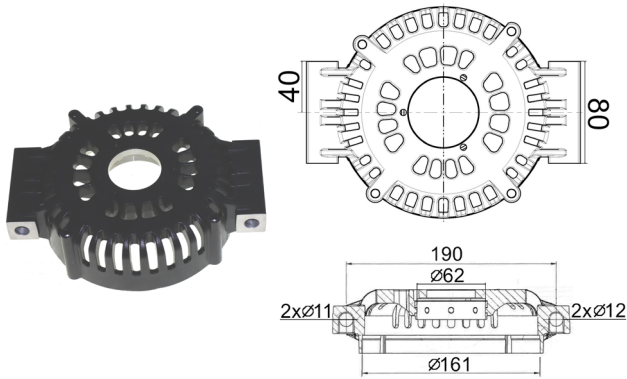
PRA-030-52 D.E. Frame

OE PN./Lester :	A015105149
For :	AVI 160
Mating :	PRA-031
Weight (kg):	0.66
Used on:	
NOTE:	



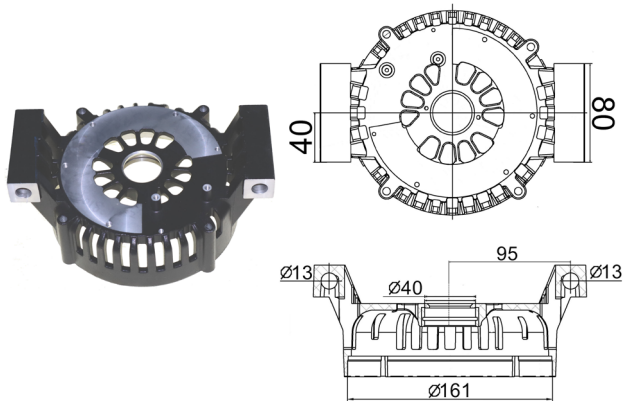
PRA-031 S.R.E Frame

OE PN./Lester :	A012105002
For :	AVI 160
Mating :	PRA-030-52
Weight (kg):	0.57
Used on:	
NOTE:	



PRA-067 D.E. Frame

OE PN./Lester :	A015520290
For :	AVI
Mating :	PRA-068
Weight (kg):	1.01
Used on:	
NOTE:	



PRA-068 S.R.E Frame

OE PN./Lester :	A012520293
For :	AVI
Mating :	PRA-067
Weight (kg):	0.85
Used on:	
NOTE:	



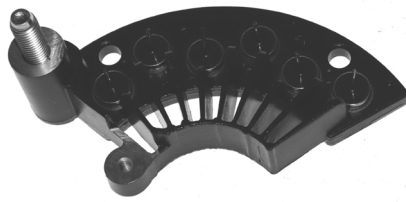
PRA-032-ASSY Heat Sink

OE PN./Lester :	A051105030
For :	AVI
Mating :	
Weight (kg):	0.14
Used on:	
NOTE:	6-Diode Holes Design, Positive



PRA-033-ASSY Heat Sink

OE PN./Lester :	A051105031
For :	AVI
Mating :	
Weight (kg):	0.13
Used on:	
NOTE:	6-Diode Holes Design, Negative



PRA-045-ASSY Heat Sink

OE PN./Lester :	A051520530
For :	AVI
Mating :	
Weight (kg):	0.16
Used on:	
NOTE:	6-Diode Holes Design, Positive



PRA-046-ASSY Heat Sink

OE PN./Lester :	A051520698
For :	AVI
Mating :	
Weight (kg):	0.15
Used on:	
NOTE:	6-Diode Holes Design, Positive



PRA-047-ASSY Heat Sink

OE PN./Lester :	A051520699
For :	AVI
Mating :	
Weight (kg):	0.16
Used on:	
NOTE:	6-Diode Holes Design, Positive



PRA-056-ASSY Heat Sink

OE PN./Lester :	A051106193
For :	AVI
Mating :	
Weight (kg):	0.13
Used on:	
NOTE:	3-Diode Holes Design, Positive



PRA-057-ASSY Heat Sink

OE PN./Lester :	A051106194
For :	AVI
Mating :	
Weight (kg):	0.13
Used on:	
NOTE:	3-Diode Holes Design, Positive



PRA-062-ASSY Heat Sink

OE PN./Lester :	A051521643
For :	AVI
Mating :	
Weight (kg):	0.16
Used on:	
NOTE:	6-Diode Holes Design, Negative, The same casting as PRA-043

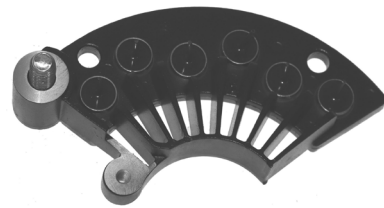


PRA-063-ASSY Heat Sink

OE PN./Lester :	A051106673
For :	AVI
Mating :	
Weight (kg):	0.16
Used on:	
NOTE:	6-Diode Holes Design, Positive, The same casting as PRA-045

PRA-064-ASSY Heat Sink

OE PN./Lester :	A051106674
For :	AVI
Mating :	
Weight (kg):	0.16
Used on:	
NOTE:	6-Diode Holes Design, Negative, The same casting as PRA-062

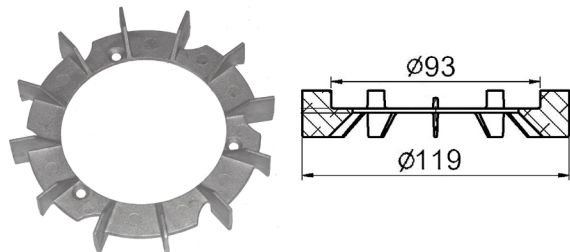


PRA-084-ASSY Heat Sink

OE PN./Lester :	A051106970
For :	AVI
Mating :	
Weight (kg):	0.16
Used on:	
NOTE:	6-Diode Holes Design, Negative, The same casting as PRA-043

PRA-113-ASSY Heat Sink

OE PN./Lester :	A051107322
For :	AVI
Mating :	
Weight (kg):	0.14
Used on:	
NOTE:	6-Diode Holes Design, The same casting as PRA-032

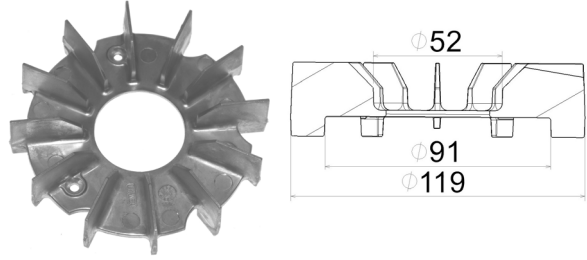
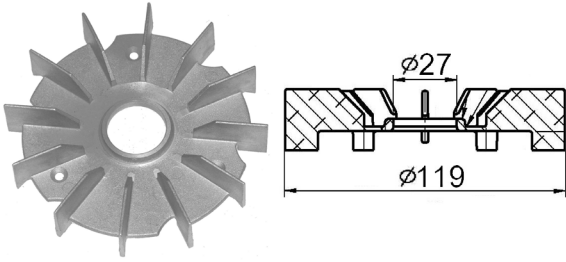


PRA-114-ASSY Heat Sink

OE PN./Lester :	A051107323
For :	AVI
Mating :	
Weight (kg):	0.13
Used on:	
NOTE:	6-Diode Holes Design, The same casting as PRA-033

PRA-028 Fan

OE PN./Lester :	A041105018
For :	AVI
Mating :	
Weight (kg):	0.05
Used on:	
NOTE:	



PRA-029

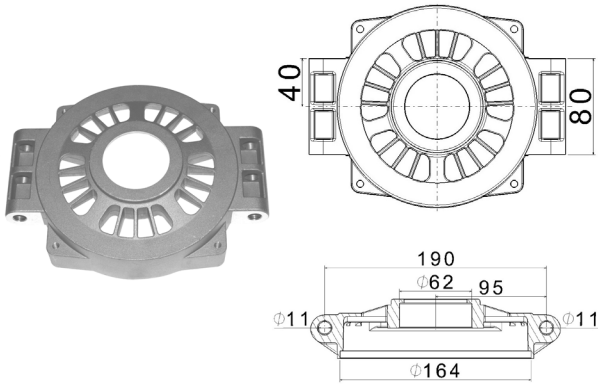
Fan

OE PN./Lester :	A041105019
For :	AVI
Mating :	
Weight (kg):	0.10
Used on:	
NOTE:	

PRA-105-NW

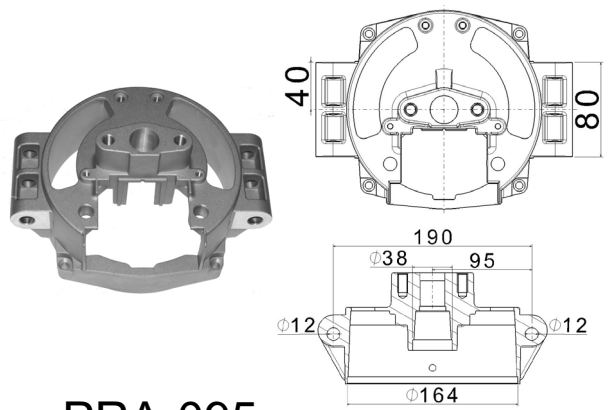
Fan

OE PN./Lester :	A041520306
For :	AVI
Mating :	
Weight (kg):	0.10
Used on:	
NOTE:	



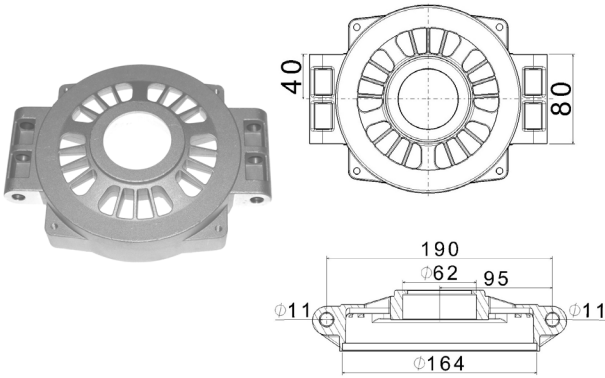
PRA-094 D.E. Frame

OE PN./Lester :	A015102113/P
For :	4000
Mating :	PRA-095
Weight (kg):	0.91
Used on:	
NOTE:	



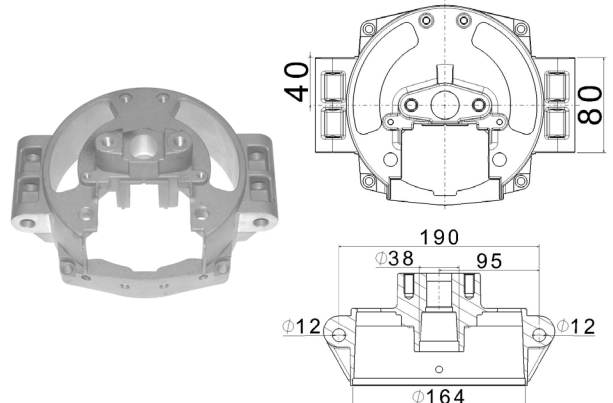
PRA-095 S.R.E. Frame

OE PN./Lester :	A012104837/P
For :	4000
Mating :	PRA-094
Weight (kg):	1.21
Used on:	
NOTE:	



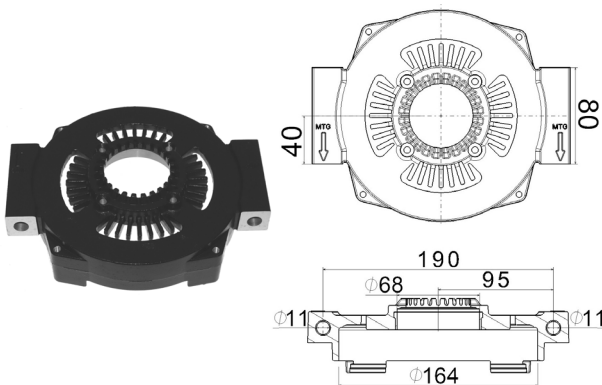
TY-195 D.E. Frame

OE PN./Lester :	
For :	4000
Mating :	TY-196
Weight (kg):	0.92
Used on:	
NOTE:	The same casting as PRA-094



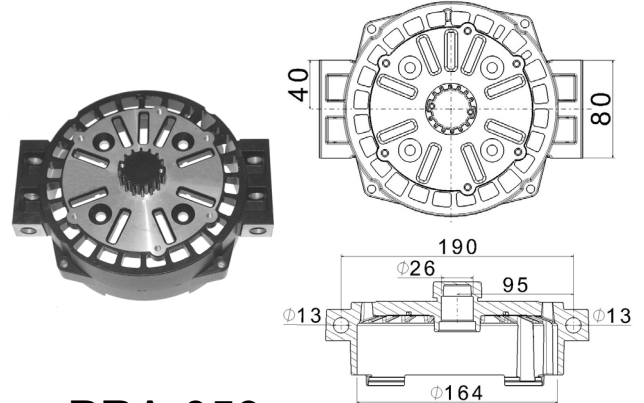
TY-196 S.R.E. Frame

OE PN./Lester :	
For :	4000
Mating :	TY-195
Weight (kg):	1.21
Used on:	
NOTE:	The same casting as PRA-095



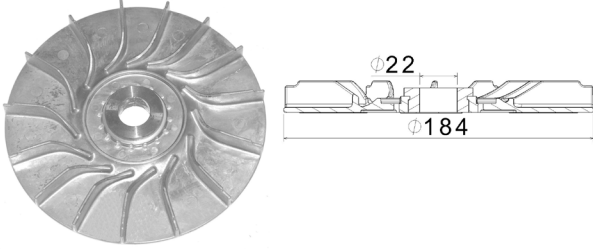
PRA-058 D.E. Frame

OE PN./Lester :	A015520984
For :	BLP 350A
Mating :	PRA-059, PRA-060
Weight (kg):	1.07
Used on:	
NOTE:	



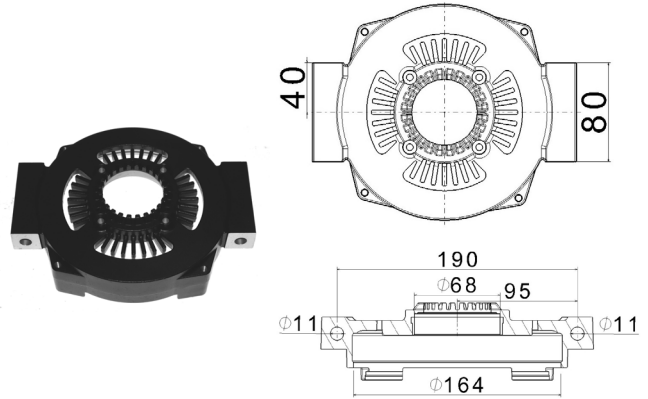
PRA-059 S.R.E. Frame

OE PN./Lester :	A012520986
For :	BLP 350A
Mating :	PRA-058, PRA-060
Weight (kg):	1.14
Used on:	
NOTE:	



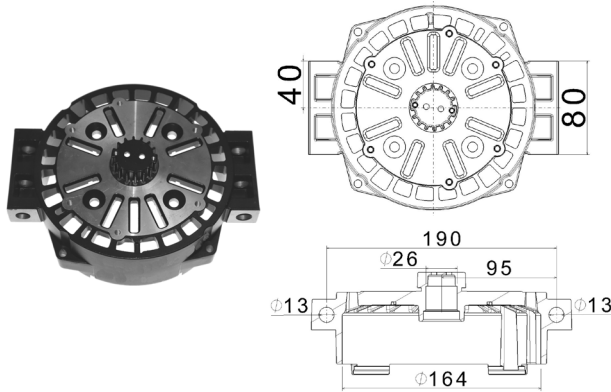
PRA-060 Fan

OE PN./Lester :	A041521350
For :	BLP 350A
Mating :	PRA-058, PRA-059
Weight (kg):	0.41
Used on:	
NOTE:	



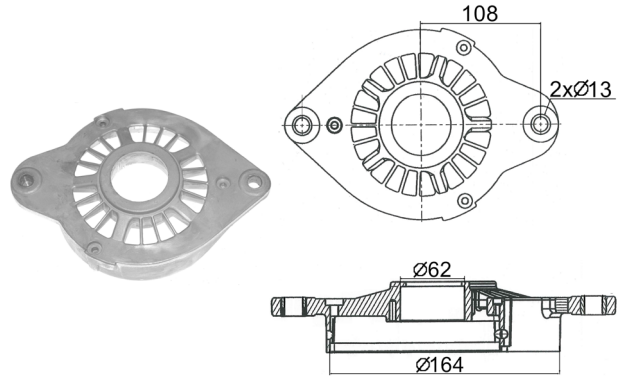
PRA-109-BLK D.E. Frame

OE PN./Lester :	A015107083
For :	BLP 350A
Mating :	PRA-110-BLK
Weight (kg):	1.07
Used on:	
NOTE:	



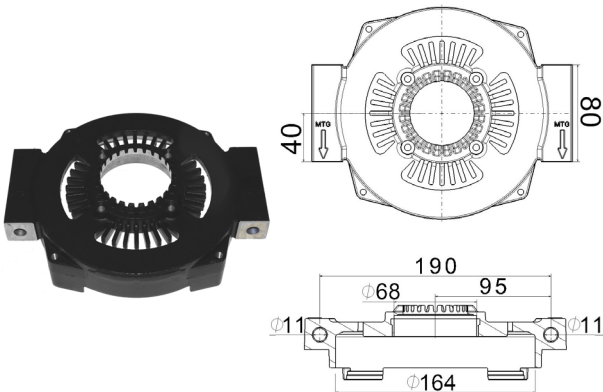
PRA-110-BLK S.R.E. Frame

OE PN./Lester :	A012107084
For :	BLP 350A
Mating :	PRA-109-BLK
Weight (kg):	1.14
Used on:	
NOTE:	



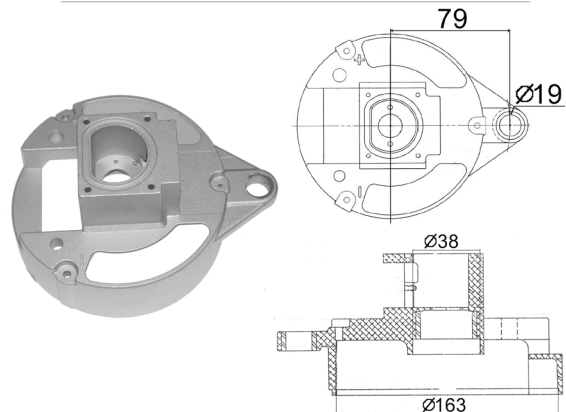
PRA-007 D.E. Frame

OE PN./Lester :	A960095254
For :	BLP-4000
Mating :	
Weight (kg):	0.82
Used on:	
NOTE:	



PRA-112 D.E. Frame

OE PN./Lester :	A015107332
For :	BLP 350A
Mating :	
Weight (kg):	1.06
Used on:	
NOTE:	The same casting as PRA-058



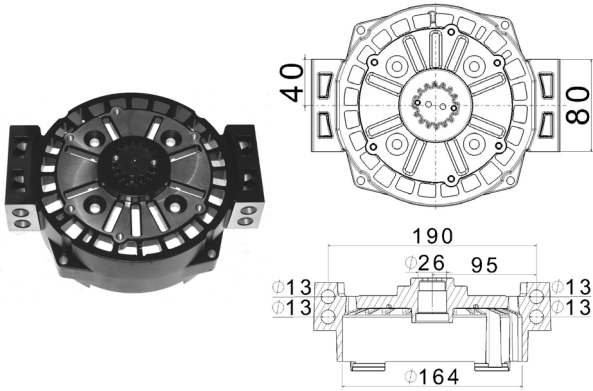
PRA-035-99 S.R.E. Frame

OE PN./Lester :	A959099720
For :	BLP-4000
Mating :	
Weight (kg):	1.01
Used on:	
NOTE:	



PRESTOLITE ALTERNATOR

BLP



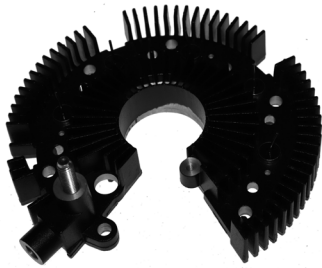
PRA-086-BLK S.R.E. Frame

OE PN./Lester :	A012107023
For :	BLP-4000
Mating :	
Weight (kg):	1.44
Used on:	
NOTE:	



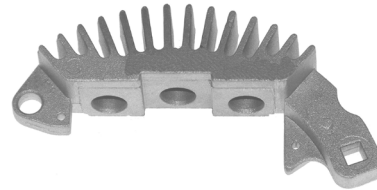
PRA-054-ASSY Heat Sink

OE PN./Lester :	A051521120
For :	BLP 350A
Mating :	
Weight (kg):	0.35
Used on:	
NOTE:	6-Diode Holes Design, Negative



PRA-055-ASSY Heat Sink

OE PN./Lester :	A051521468
For :	BLP 350A
Mating :	
Weight (kg):	0.47
Used on:	
NOTE:	6-Diode Holes Design, Positive



PRA-005 Rectifier Mount

OE PN./Lester :	A967101844
For :	BLP-4000
Mating :	
Weight (kg):	0.11
Used on:	
NOTE:	



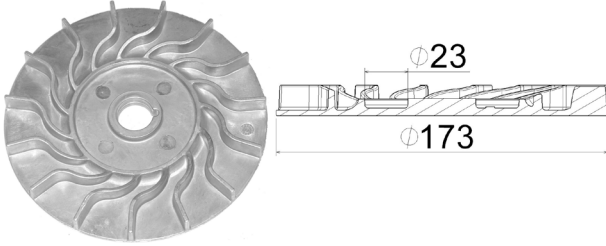
PRA-006 Rectifier Mount

OE PN./Lester :	A967101843
For :	BLP-4000
Mating :	
Weight (kg):	0.12
Used on:	
NOTE:	



PRA-100 Rectifier Ring

OE PN./Lester :	A777104334/P
For :	4000
Mating :	
Weight (kg):	0.50
Used on:	
NOTE:	



PRA-003

Fan

OE PN./Lester :	A041102967
For :	BLP-4000
Mating :	
Weight (kg):	0.30
Used on:	
NOTE:	

PRA-008

Regulator Housing

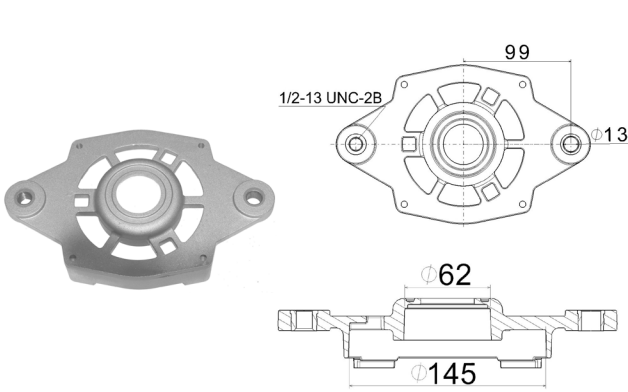
OE PN./Lester :	A967102901
For :	BLP-4000
Mating :	
Weight (kg):	0.08
Used on:	
NOTE:	



PRA-023

Regulator Housing

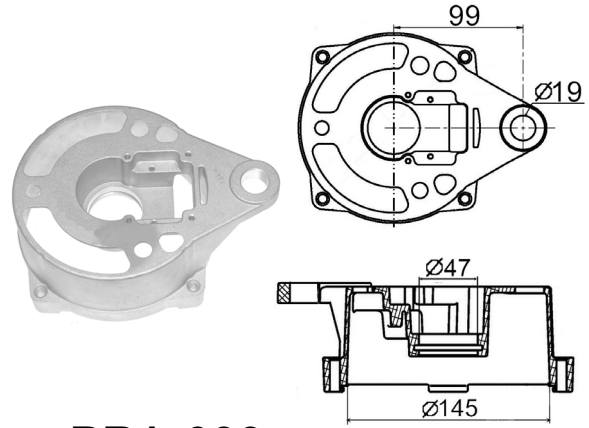
OE PN./Lester :	R967099468
For :	BLP-4000
Mating :	
Weight (kg):	0.10
Used on:	
NOTE:	



PRA-038

D.E. Frame

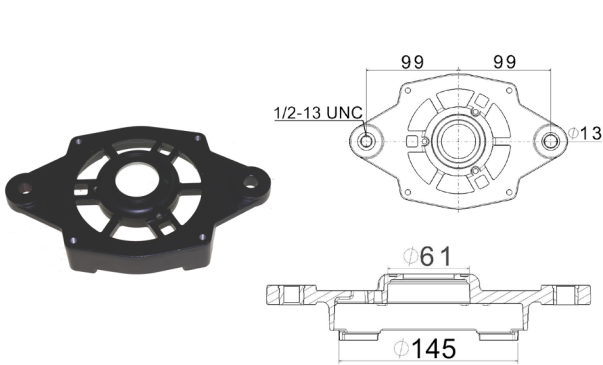
OE PN./Lester :	A015104901
For :	MDA
Mating :	PRA-039
Weight (kg):	0.67
Used on:	
NOTE:	



PRA-039

S.R.E. Frame

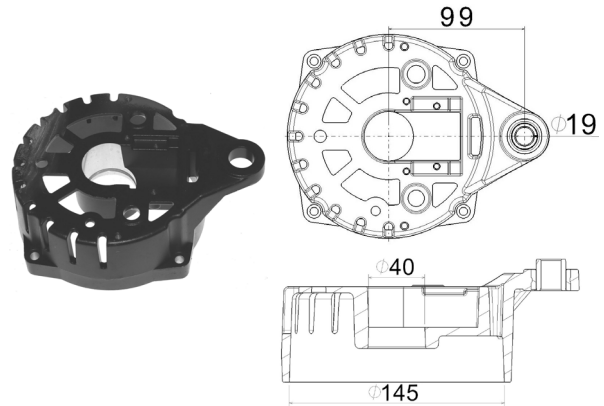
OE PN./Lester :	A012105105
For :	MDA
Mating :	PRA-038
Weight (kg):	0.62
Used on:	
NOTE:	



PRA-075-BLK

D.E. Frame

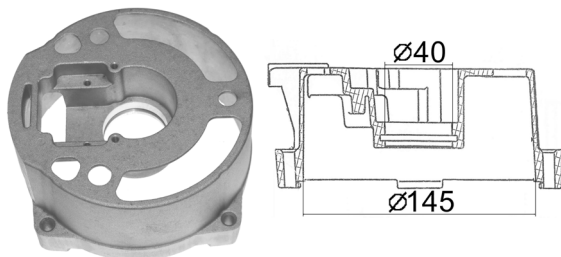
OE PN./Lester :	A015103442
For :	MDA
Mating :	PRA-076-BLK
Weight (kg):	0.59
Used on:	
NOTE:	



PRA-076-BLK

S.R.E. Frame

OE PN./Lester :	A012103439
For :	MDA
Mating :	PRA-075-BLK
Weight (kg):	0.74
Used on:	
NOTE:	



PRA-052

S.R.E. Frame

OE PN./Lester :	A012106007
For :	MDA
Mating :	
Weight (kg):	0.62
Used on:	
NOTE:	



PRA-040

Heat Sink

OE PN./Lester :	A051104969
For :	MDA
Mating :	
Weight (kg):	0.11
Used on:	
NOTE:	



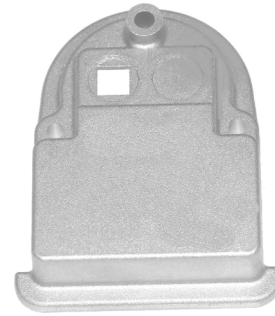
PRESTOLITE ALTERNATOR

MDA



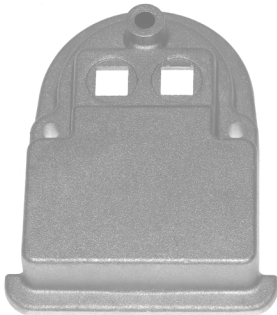
PRA-041 Heat Sink

OE PN./Lester :	A051104970
For :	MDA
Mating :	
Weight (kg):	0.11
Used on:	
NOTE:	



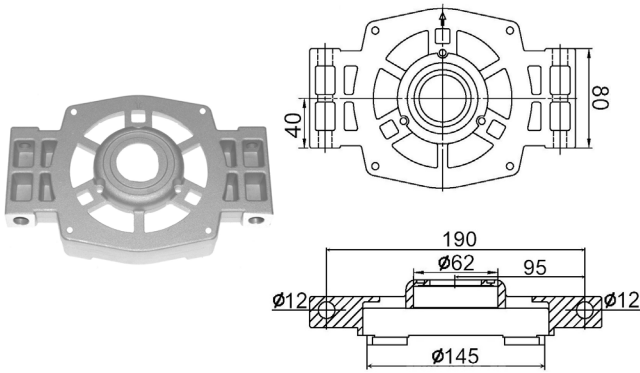
PRA-042-99 Regulator Housing

OE PN./Lester :	R967105102
For :	MDA
Mating :	
Weight (kg):	0.06
Used on:	
NOTE:	



PRA-053 Regulator Housing

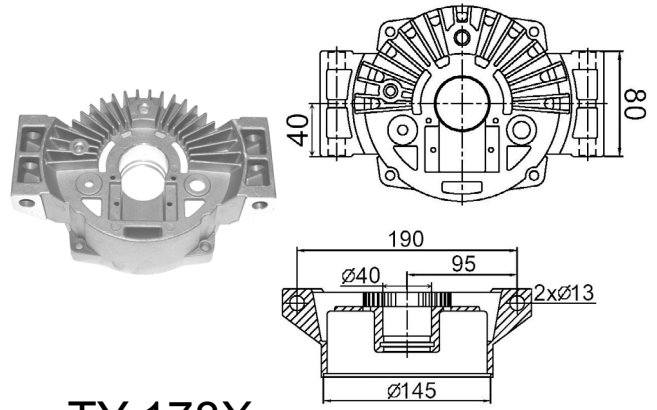
OE PN./Lester :	R028106011
For :	MDA
Mating :	
Weight (kg):	0.06
Used on:	
NOTE:	The same casting as PRA-042



TY-177

D.E. Frame

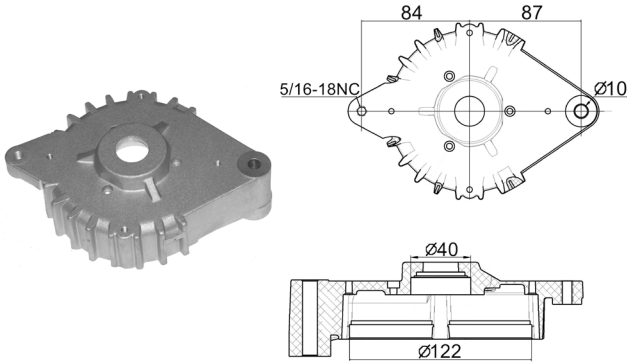
OE PN./Lester :	A015103791
For :	MDP
Mating :	TY-178X
Weight (kg):	0.70
Used on:	
NOTE:	



TY-178X

S.R.E. Frame

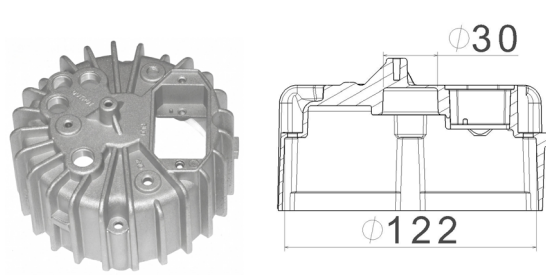
OE PN./Lester :	A012104033/P
For :	MDP
Mating :	TY-177
Weight (kg):	1.15
Used on:	
NOTE:	



PRA-073

D.E. Frame

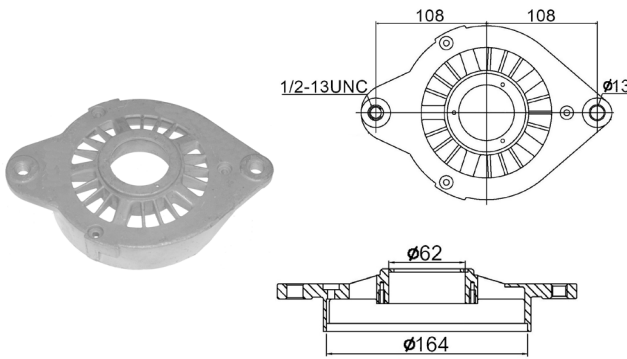
OE PN./Lester :	1544171B02
For :	Motorola 30 Amp 12 Volt
Mating :	PRA-074
Weight (kg):	0.54
Used on:	
NOTE:	Modify by TM-004



PRA-074

S.R.E. Frame

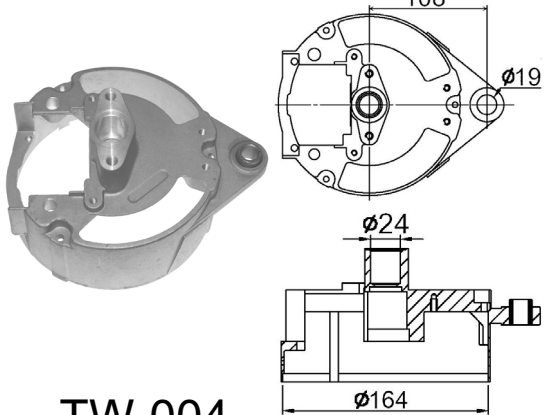
OE PN./Lester :	1544165B05
For :	Motorola 30 Amp 12 Volt
Mating :	PRA-073
Weight (kg):	0.46
Used on:	
NOTE:	Modify by TM-002



TW-003

D.E. Frame

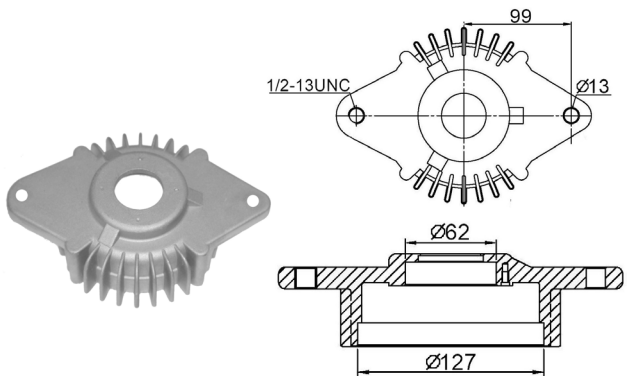
OE PN./Lester :	7083, 7084, 7088, 7720, 7731
For :	Leece-Neville 2300-2800JB 65 Amp 12 Volt
Mating :	TW-004
Weight (kg):	0.91
Used on:	
NOTE:	WAI:21-500



TW-004

S.R.E. Frame

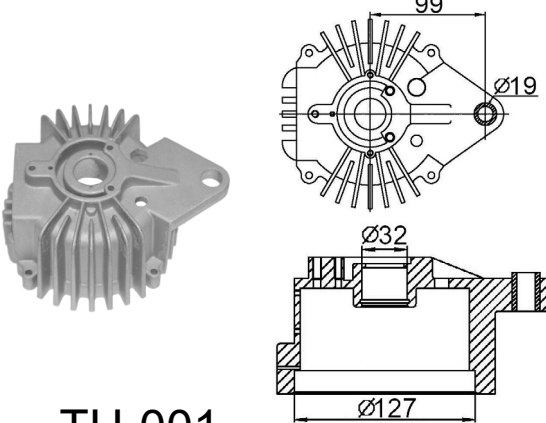
OE PN./Lester :	7602, 7603, 7604, 7606
For :	Leece-Neville 2300-2700JB 65 Amp 12 Volt
Mating :	TW-003
Weight (kg):	0.91
Used on:	
NOTE:	WAI:22-500



TH-002

D.E. Frame

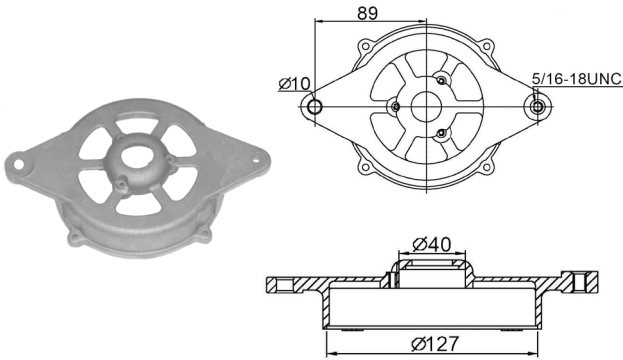
OE PN./Lester :	7305, 7331
For :	ANB 20 Amp 24 Volt
Mating :	TH-001
Weight (kg):	1.094
Used on:	Caterpillar
NOTE:	WAI:21-600



TH-001

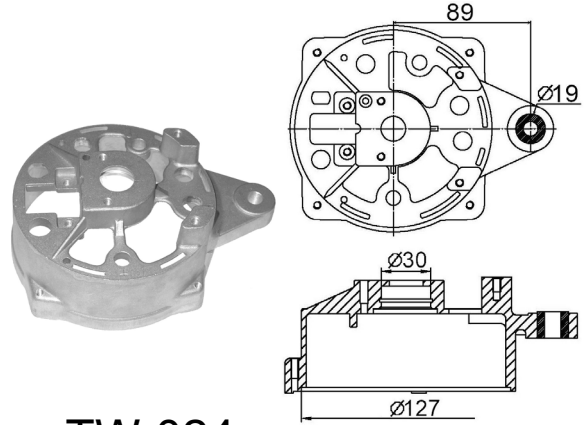
S.R.E. Frame

OE PN./Lester :	7331
For :	ANB 20 Amp 24 Volt
Mating :	TH-002
Weight (kg):	1.244
Used on:	Caterpillar, Case
NOTE:	WAI:22-600



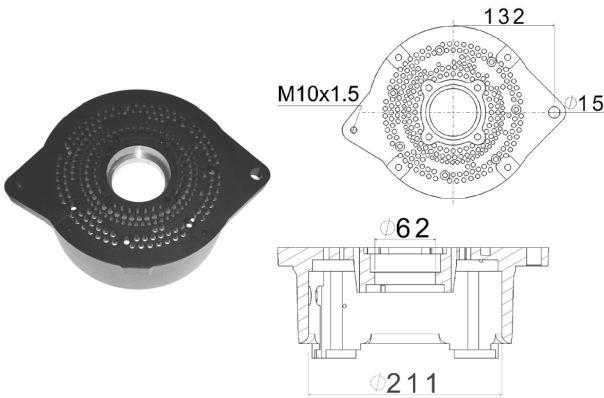
TW-025 D.E. Frame

OE PN./Lester :	7317, 7320
For :	ALK
Mating :	TW-024
Weight (kg):	0.25
Used on:	Industrial, Marine Applications
NOTE:	WAI: 21-601



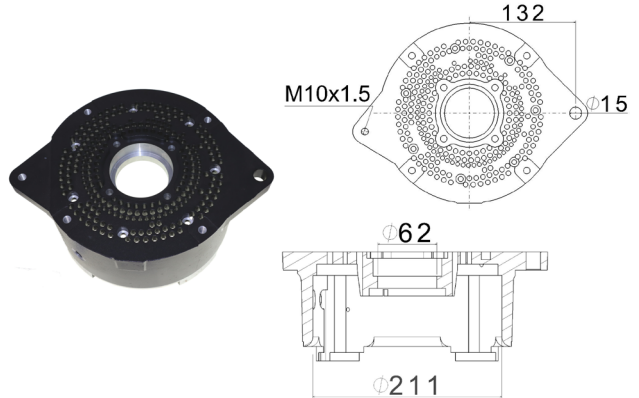
TW-024 S.R.E. Frame

OE PN./Lester :	7317, 7320
For :	ALK
Mating :	TW-025
Weight (kg):	0.38
Used on:	Industrial, Marine Applications
NOTE:	WAI: 22-601



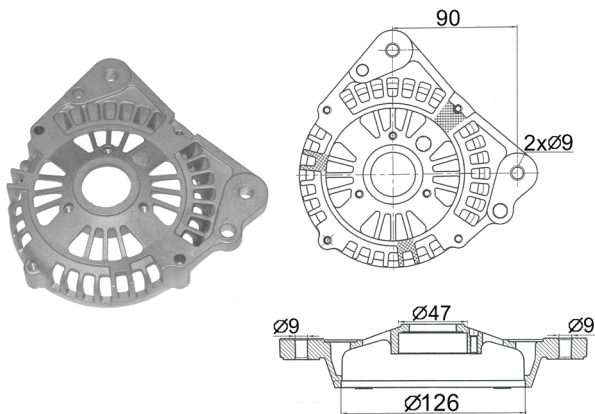
PRA-111-BLK D.E. Frame

OE PN./Lester :	A015107259
For :	AMG
Mating :	
Weight (kg):	3.00
Used on:	
NOTE:	



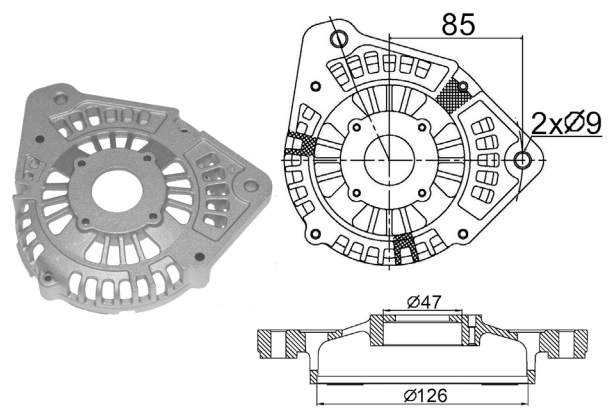
PRA-120-BLK D.E. Frame

OE PN./Lester :	6531-625
For :	AMG
Mating :	
Weight (kg):	3.00
Used on:	
NOTE:	The same casting as PRA-111



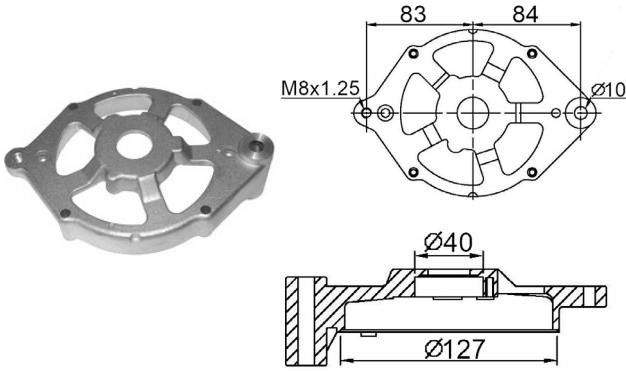
PRA-017 D.E. Frame

OE PN./Lester :	35214056
For :	
Mating :	
Weight (kg):	0.40
Used on:	
NOTE:	



PRA-034 D.E. Frame

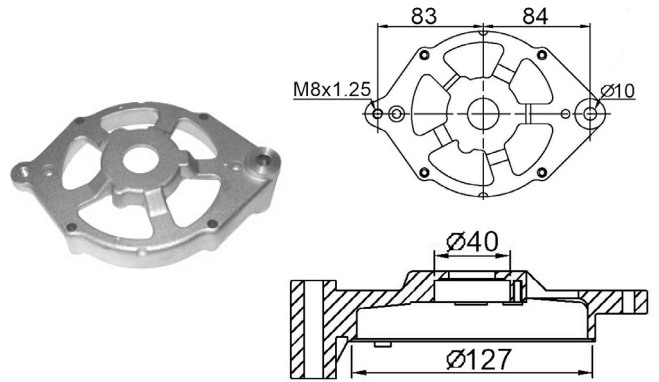
OE PN./Lester :	35215078
For :	
Mating :	
Weight (kg):	0.39
Used on:	
NOTE:	



TH-186

D.E. Frame

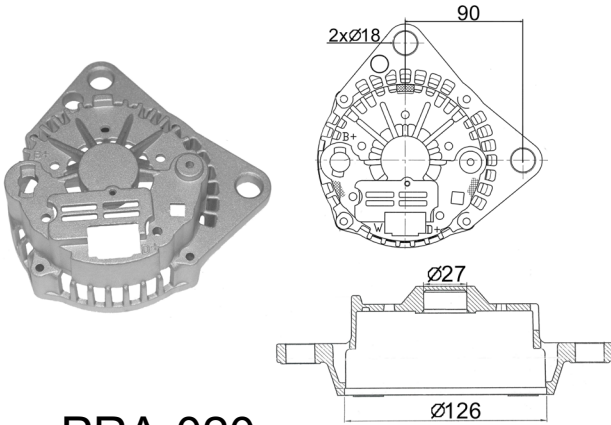
OE PN./Lester :	
For :	
Mating :	
Weight (kg):	0.40
Used on:	
NOTE:	



TH-191

D.E. Frame

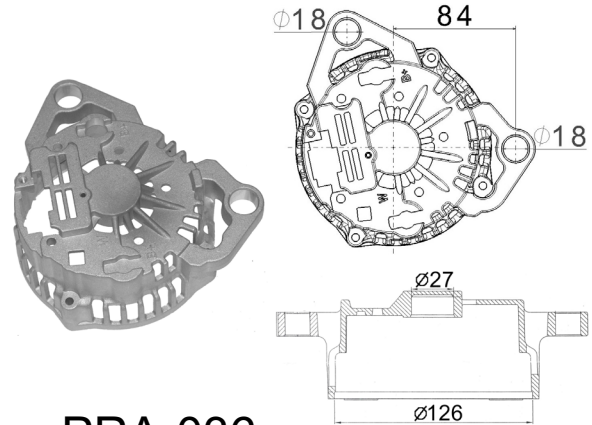
OE PN./Lester :	
For :	
Mating :	
Weight (kg):	0.40
Used on:	
NOTE:	The same casting as TH-186



PRA-020

S.R.E. Frame

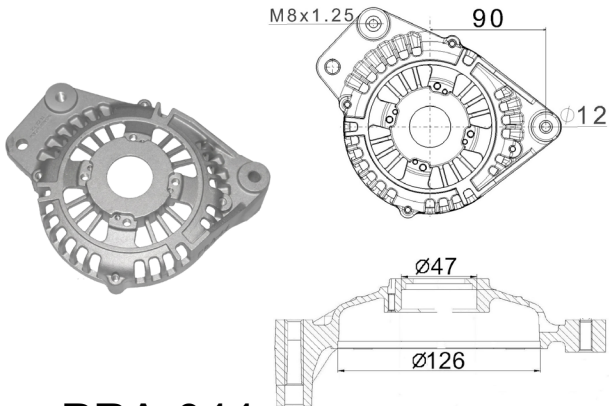
OE PN./Lester :	35214092
For :	
Mating :	
Weight (kg):	0.50
Used on:	
NOTE:	



PRA-036

S.R.E. Frame

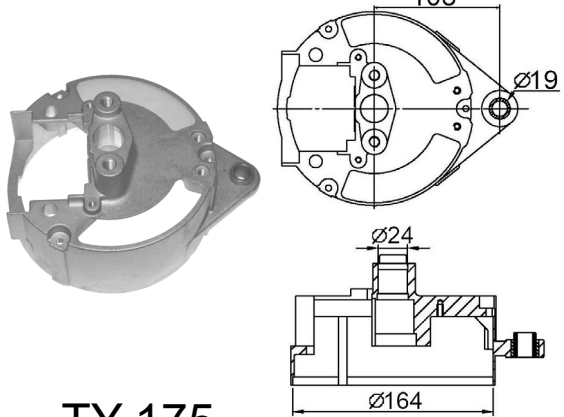
OE PN./Lester :	35215077
For :	
Mating :	
Weight (kg):	0.46
Used on:	
NOTE:	



PRA-044

S.R.E. Frame

OE PN./Lester :	35215713
For :	
Mating :	
Weight (kg):	0.46
Used on:	
NOTE:	



TY-175

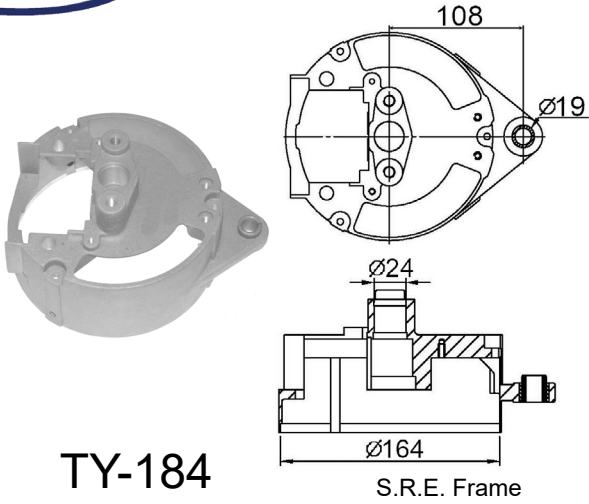
S.R.E. Frame

OE PN./Lester :	
For :	
Mating :	
Weight (kg):	0.904
Used on:	
NOTE:	WAI: 22-503



PRESTOLITE ALTERNATOR

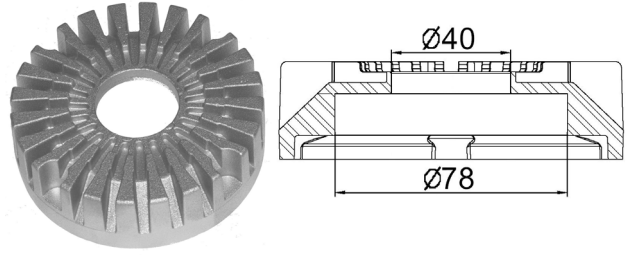
Other



TY-184

S.R.E. Frame

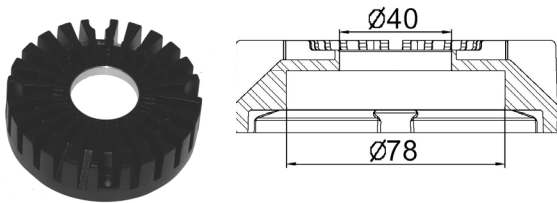
OE PN./Lester :	
For :	
Mating :	
Weight (kg):	
Used on:	
NOTE:	WAI: 22-502



PRA-085

Bearing Heatsink

OE PN./Lester :	6531-419
For :	AB210R
Mating :	
Weight (kg):	0.38
Used on:	
NOTE:	



PRA-085-BLK

Bearing Heatsink

OE PN./Lester :	A059107262
For :	AB210R
Mating :	
Weight (kg):	0.38
Used on:	
NOTE:	



PRA-001

Positive Rect Ring

OE PN./Lester :	A967104046
For :	
Mating :	
Weight (kg):	0.12
Used on:	
NOTE:	



PRA-002

Negative Rect Ring

OE PN./Lester :	A967104045
For :	
Mating :	
Weight (kg):	0.12
Used on:	
NOTE:	



PRA-048

Positive Rectifier Ring

OE PN./Lester :	A051520656
For :	
Mating :	
Weight (kg):	0.10
Used on:	
NOTE:	



PRA-049 Negative Rectifier Ring

OE PN./Lester :	A051520657
For :	
Mating :	
Weight (kg):	0.10
Used on:	
NOTE:	



PRA-024 Portadiodos Anodo

OE PN./Lester :	35213937
For :	
Mating :	
Weight (kg):	0.04
Used on:	
NOTE:	



PRA-025 Portadiodos Anodo

OE PN./Lester :	35213936
For :	
Mating :	
Weight (kg):	0.04
Used on:	
NOTE:	



PRA-026 Portadiodos Anodo

OE PN./Lester :	35214073
For :	
Mating :	
Weight (kg):	0.04
Used on:	
NOTE:	



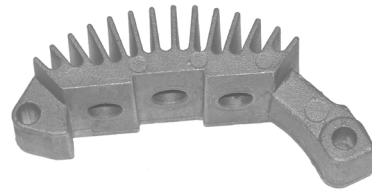
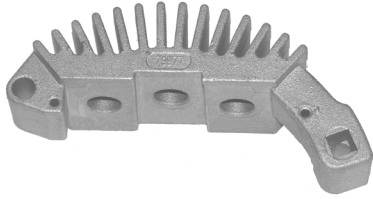
PRA-027 Portadiodos Anodo

OE PN./Lester :	35214071
For :	
Mating :	
Weight (kg):	0.04
Used on:	
NOTE:	



PRA-009 Plate

OE PN./Lester :	6444164B01
For :	
Mating :	
Weight (kg):	0.10
Used on:	
NOTE:	

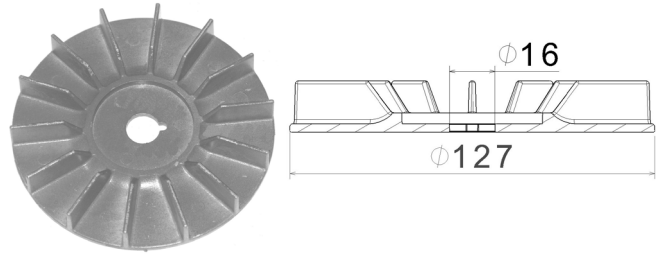
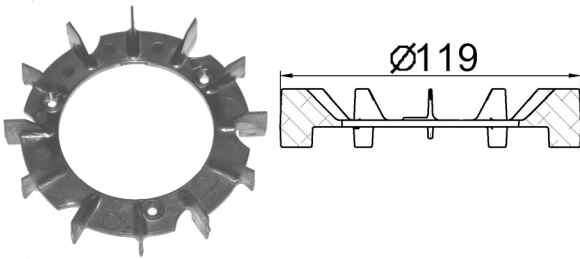


PRA-018 Retainer Mount

OE PN./Lester :	A967079977
For :	
Mating :	
Weight (kg):	0.21
Used on:	
NOTE:	

PRA-019 Retainer Mount

OE PN./Lester :	A967079978
For :	
Mating :	
Weight (kg):	0.21
Used on:	
NOTE:	

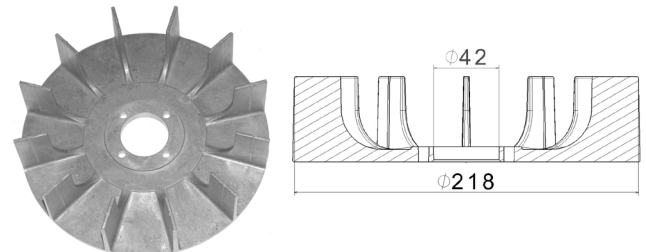
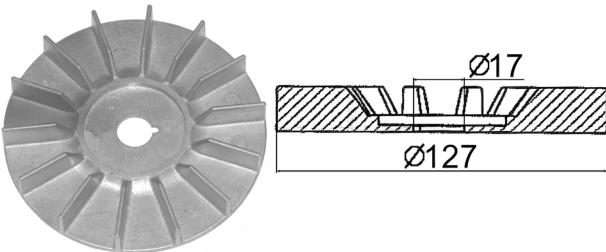


PRA-104-NW Fan

OE PN./Lester :	A041520305
For :	
Mating :	
Weight (kg):	0.05
Used on:	
NOTE:	

PRA-013 Fan

OE PN./Lester :	A041EX99947
For :	
Mating :	
Weight (kg):	0.15
Used on:	
NOTE:	

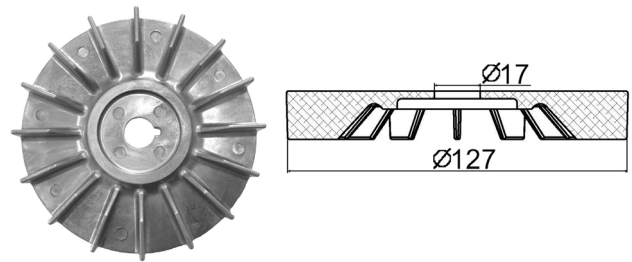
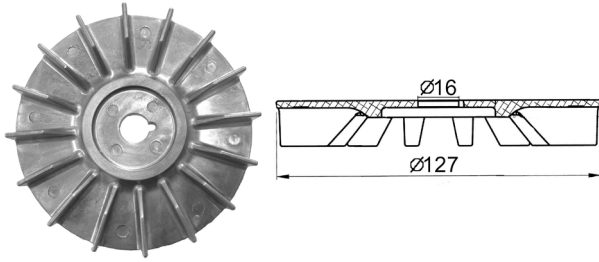


PRA-014 Fan

OE PN./Lester :	A041EX99823
For :	
Mating :	
Weight (kg):	0.15
Used on:	
NOTE:	

PRA-061 Fan

OE PN./Lester :	A041096406
For :	
Mating :	
Weight (kg):	0.82
Used on:	
NOTE:	



PRA-115-NW

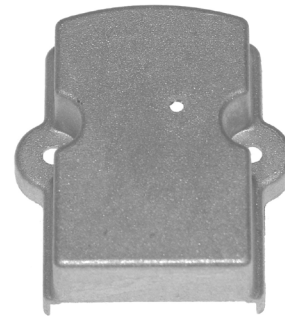
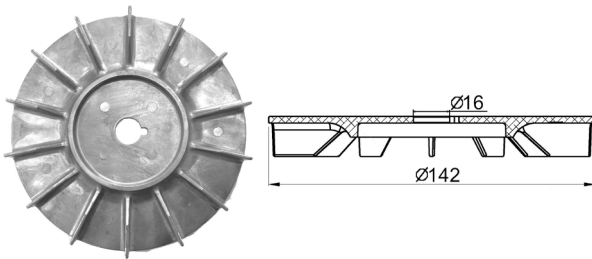
Fan

OE PN./Lester :	A041107365
For :	
Mating :	
Weight (kg):	0.16
Used on:	
NOTE:	

PRA-116-NW

Fan

OE PN./Lester :	A041107374
For :	
Mating :	
Weight (kg):	0.16
Used on:	
NOTE:	The same casting as PRA-115



PRA-117-NW

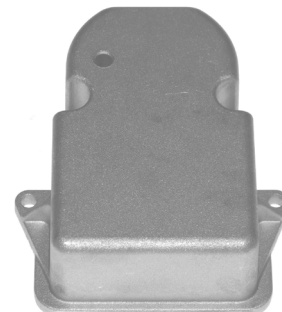
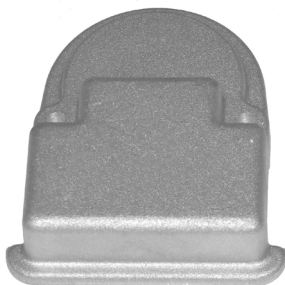
Fan

OE PN./Lester :	A041107372
For :	
Mating :	
Weight (kg):	0.20
Used on:	
NOTE:	

PRA-037

Regulator Box

OE PN./Lester :	35381858
For :	
Mating :	
Weight (kg):	0.03
Used on:	
NOTE:	



PRA-081

Regulator Box

OE PN./Lester :	1570937A55
For :	
Mating :	
Weight (kg):	0.07
Used on:	
NOTE:	

PRA-101-99

Regulator Box

OE PN./Lester :	1544377S54/P
For :	
Mating :	
Weight (kg):	0.13
Used on:	
NOTE:	



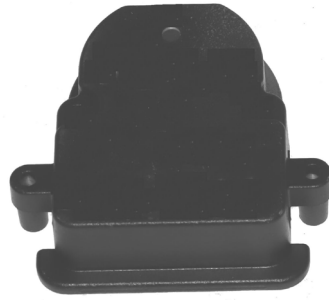
PRESTOLITE ALTERNATOR

Other



PRA-077-BLK Regulator Box

OE PN./Lester :	1571017A07
For :	
Mating :	
Weight (kg):	0.09
Used on:	
NOTE:	



PRA-078-BLK Regulator Box

OE PN./Lester :	1571017A09/P
For :	
Mating :	
Weight (kg):	0.10
Used on:	
NOTE:	The same casting as PRA-077



PRA-079-BLK Regulator Box

OE PN./Lester :	1544544A04
For :	
Mating :	
Weight (kg):	0.05
Used on:	
NOTE:	



PRA-080-BLK Regulator Box

OE PN./Lester :	1544544A02
For :	
Mating :	
Weight (kg):	0.05
Used on:	
NOTE:	



PRA-082-BLK Regulator Box

OE PN./Lester :	1570937A50
For :	
Mating :	
Weight (kg):	0.07
Used on:	
NOTE:	



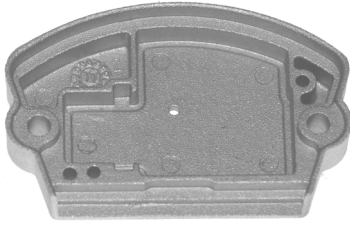
PRA-083-BLK Regulator Box

OE PN./Lester :	1570937A52
For :	
Mating :	
Weight (kg):	0.07
Used on:	
NOTE:	



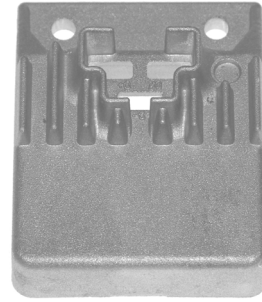
PRESTOLITE ALTERNATOR

Other



PRA-021-99 Caja

OE PN./Lester :	35381714
For :	
Mating :	
Weight (kg):	0.03
Used on:	
NOTE:	



PRA-022-99 Caja

OE PN./Lester :	35381255
For :	
Mating :	
Weight (kg):	0.08
Used on:	
NOTE:	



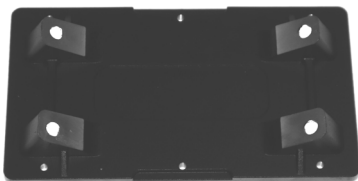
PRA-010 Housing Transformer

OE PN./Lester :	T967097367
For :	
Mating :	
Weight (kg):	0.37
Used on:	
NOTE:	



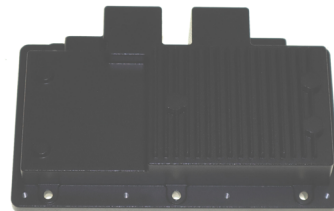
PRA-012 Regulator Housing

OE PN./Lester :	A967102914
For :	
Mating :	
Weight (kg):	0.08
Used on:	
NOTE:	



PRA-107-BLK Regulator Base

OE PN./Lester :	R188107250
For :	
Mating :	PRA-108-BLK
Weight (kg):	0.27
Used on:	
NOTE:	



PRA-108-BLK Regulator Housing

OE PN./Lester :	R961107247
For :	
Mating :	PRA-107-BLK
Weight (kg):	0.38
Used on:	
NOTE:	



PRESTOLITE ALTERNATOR

Other



PRA-118

Alternator Mounting

OE PN./Lester :	6531-622
For :	
Mating :	
Weight (kg):	1.14
Used on:	
NOTE:	