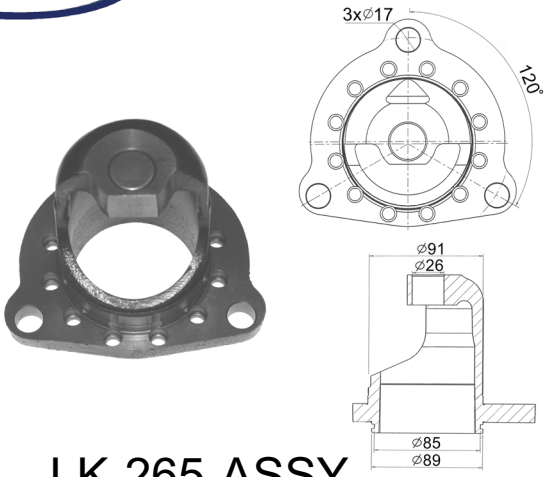




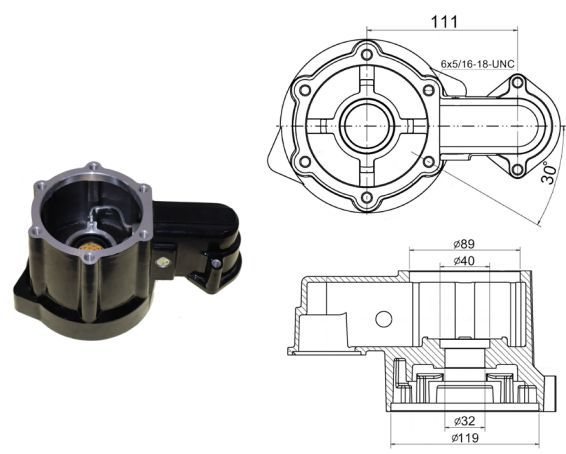
# PRESTOLITE STARTER

IBB



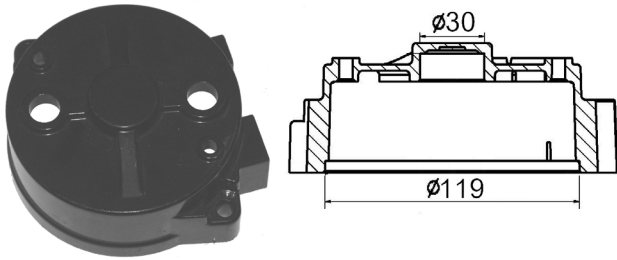
**LK-265-ASSY** Nose Housing

OE PN./Lester :	M014520157
For :	IBB
Mating :	
Weight (kg):	2.97
Used on:	
NOTE:	



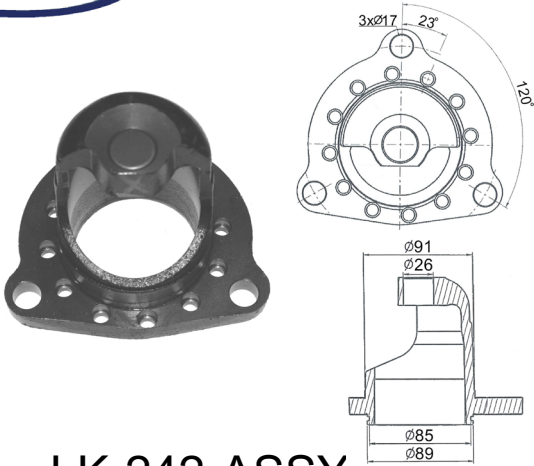
**PRS-033-ASSY** Shift Housing

OE PN./Lester :	M777520151
For :	IBB
Mating :	
Weight (kg):	1.45
Used on:	
NOTE:	



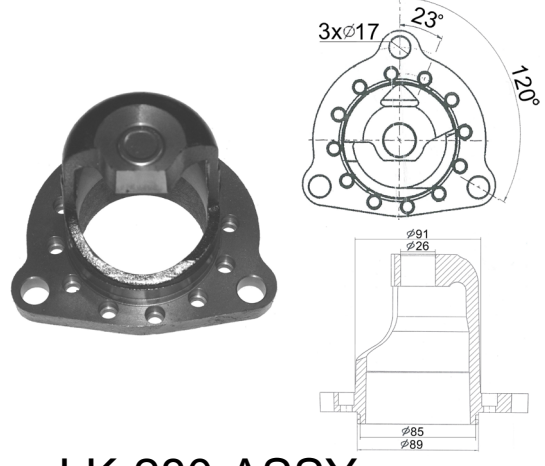
**PRS-027-BLK** C.E. Frame

OE PN./Lester :	M012520149
For :	IBB
Mating :	
Weight (kg):	0.40
Used on:	
NOTE:	



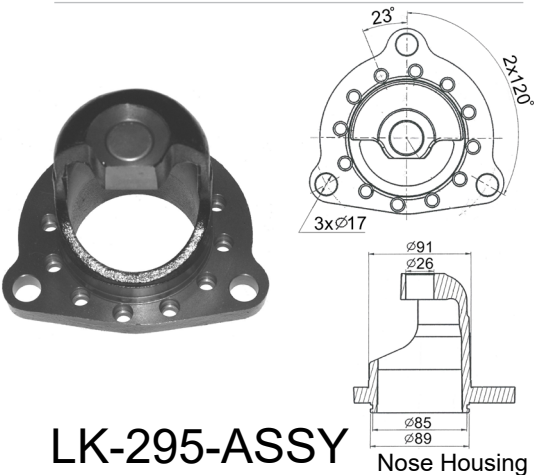
**LK-242-ASSY** Nose Housing

OE PN./Lester :	M014104581
For :	M125
Mating :	TY-182-ASSY
Weight (kg):	3.10
Used on:	
NOTE:	



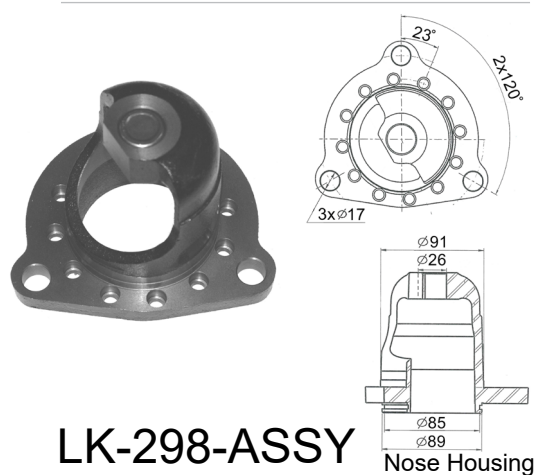
**LK-280-ASSY** Nose Housing

OE PN./Lester :	M005105265
For :	M125
Mating :	
Weight (kg):	3.00
Used on:	
NOTE:	



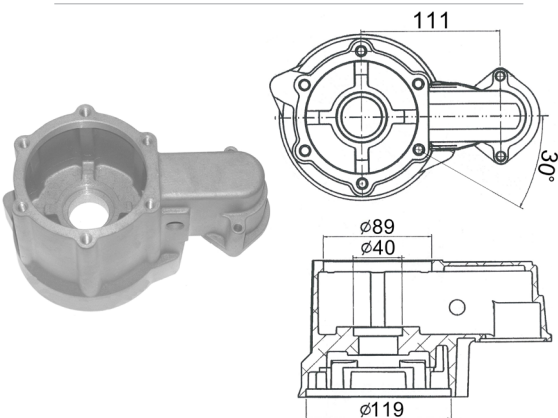
**LK-295-ASSY** Nose Housing

OE PN./Lester :	M014105610
For :	M125
Mating :	
Weight (kg):	2.97
Used on:	
NOTE:	



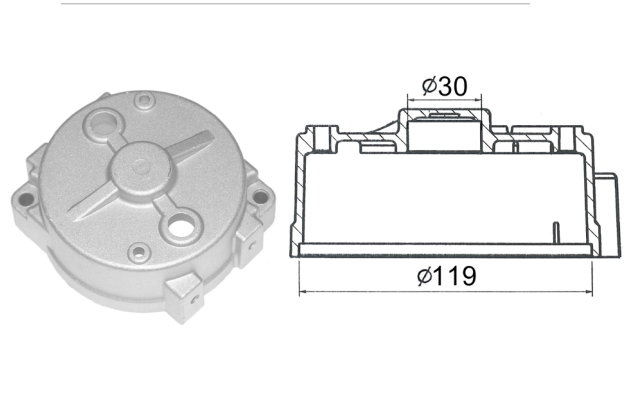
**LK-298-ASSY** Nose Housing

OE PN./Lester :	M014105707
For :	M125
Mating :	
Weight (kg):	3.15
Used on:	
NOTE:	



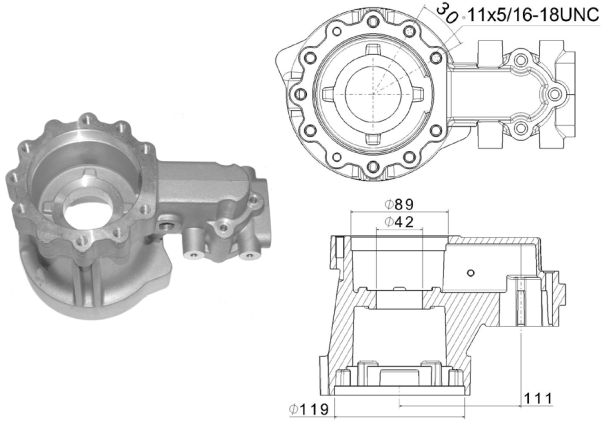
**TY-182-ASSY** Shift Housing

OE PN./Lester :	M777105489
For :	M125
Mating :	TY-181, LK-242-ASSY
Weight (kg):	1.29
Used on:	
NOTE:	



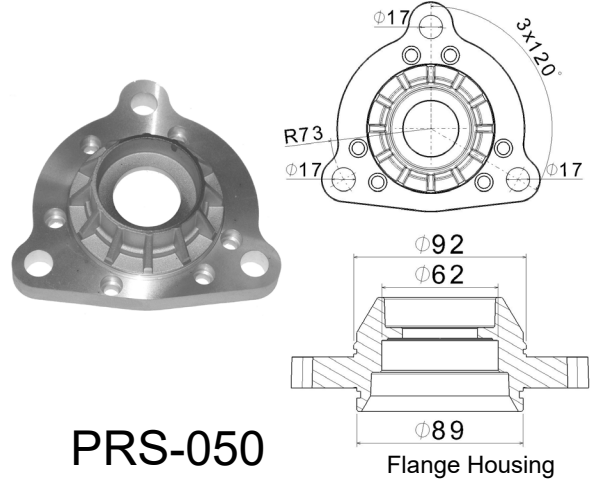
**TY-181** C.E Frame

OE PN./Lester :	M012105498
For :	M125
Mating :	TY-182-ASSY
Weight (kg):	0.39
Used on:	
NOTE:	



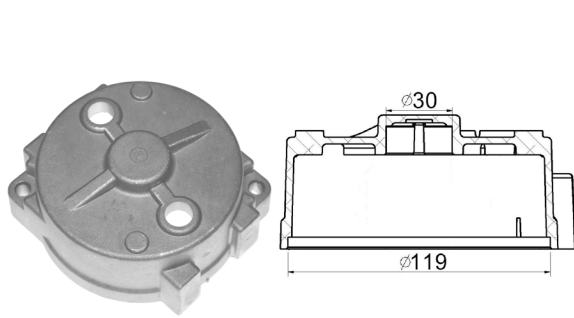
**PRS-052-XX** Shift Housing

OE PN./Lester :	M165106871
For :	M128
Mating :	PRS-050, PRS-051-X
Weight (kg):	1.94
Used on:	
NOTE:	



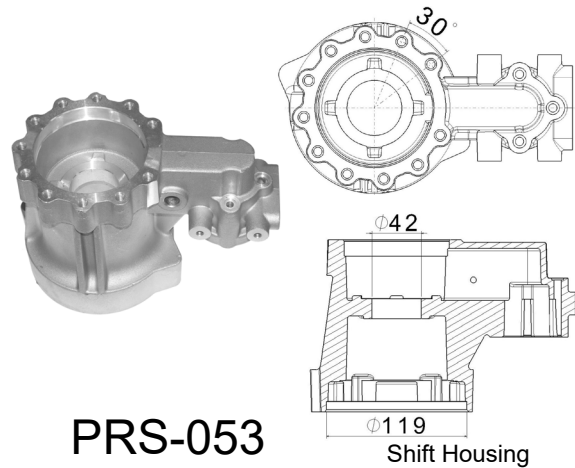
**PRS-050** Flange Housing

OE PN./Lester :	M015106437
For :	M125
Mating :	PRS-051-X, PRS-052-XX
Weight (kg):	0.08
Used on:	
NOTE:	



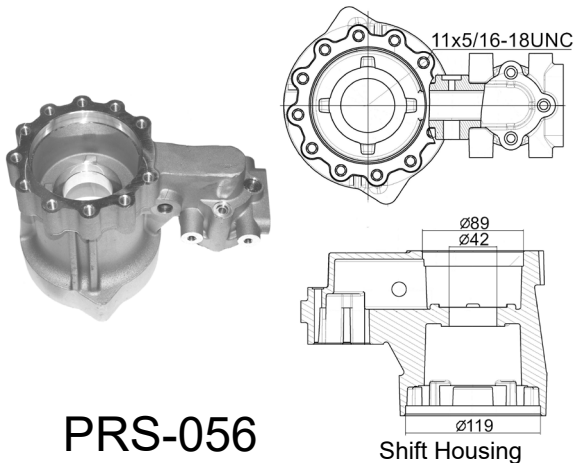
**PRS-051-X** C.E Frame

OE PN./Lester :	M012521586
For :	M125/M128
Mating :	PRS-050, PRS-052-XX
Weight (kg):	0.41
Used on:	
NOTE:	



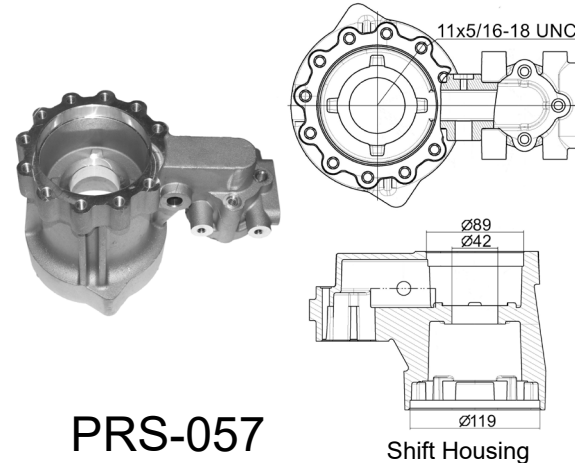
**PRS-053** Shift Housing

OE PN./Lester :	M165106861
For :	M128
Mating :	
Weight (kg):	1.89
Used on:	
NOTE:	



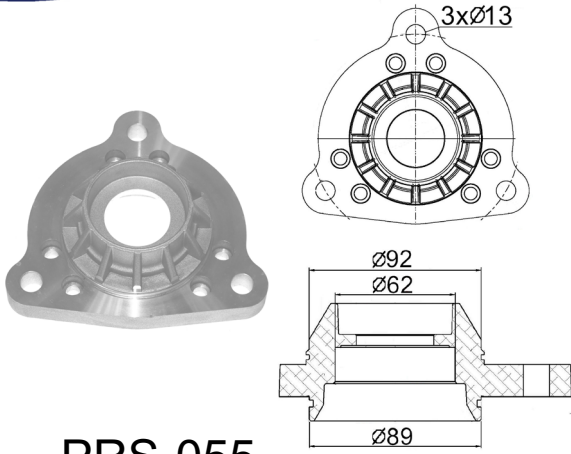
**PRS-056** Shift Housing

OE PN./Lester :	M165107233
For :	M128
Mating :	
Weight (kg):	1.89
Used on:	
NOTE:	



**PRS-057** Shift Housing

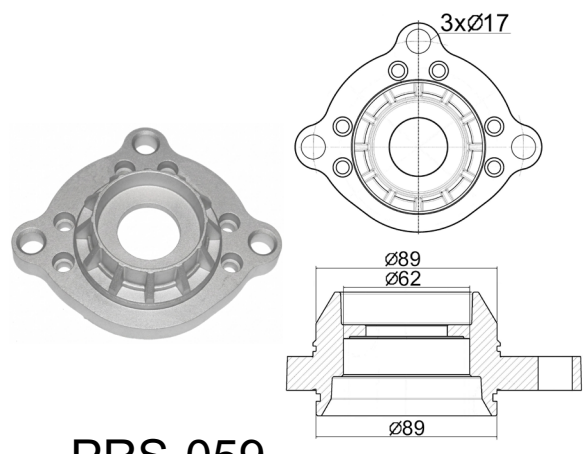
OE PN./Lester :	M165107267
For :	M128
Mating :	
Weight (kg):	1.88
Used on:	
NOTE:	



**PRS-055**

Flange Housing

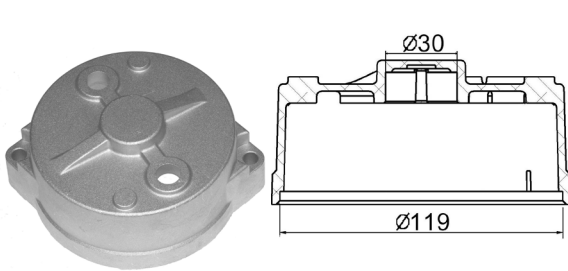
OE PN./Lester :	M015107106
For :	M128
Mating :	
Weight (kg):	0.78
Used on:	
NOTE:	



**PRS-059**

Flange Housing

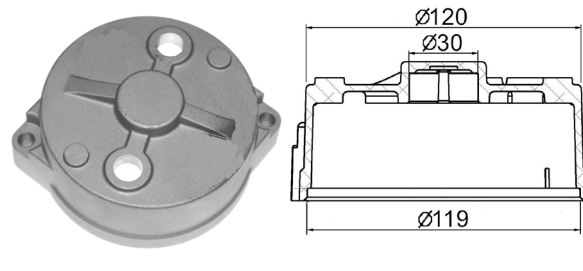
OE PN./Lester :	M015106951
For :	M128
Mating :	
Weight (kg):	0.66
Used on:	
NOTE:	



**PRS-054**

C.E Frame

OE PN./Lester :	M012107040
For :	M128
Mating :	
Weight (kg):	0.31
Used on:	
NOTE:	

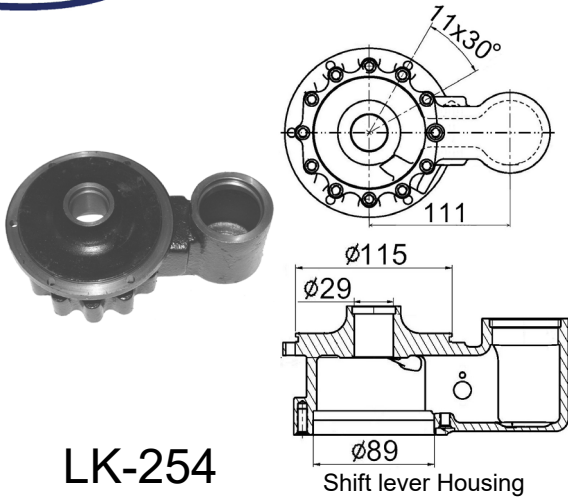


**PRS-058**

C.E Frame

OE PN./Lester :	M012107237
For :	M128
Mating :	
Weight (kg):	0.37
Used on:	
NOTE:	

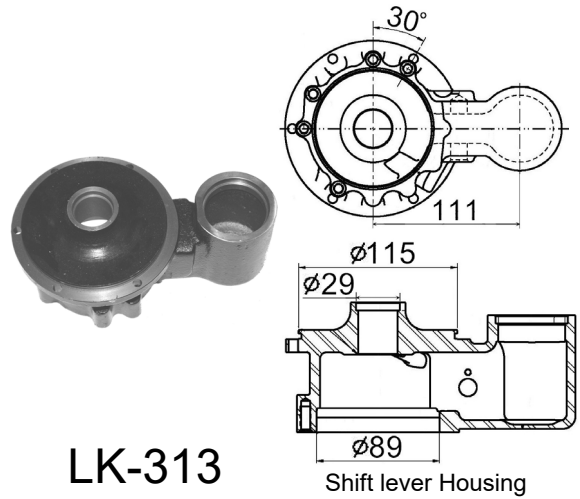
# PRESTOLITE STARTER



**LK-254**

Shift lever Housing

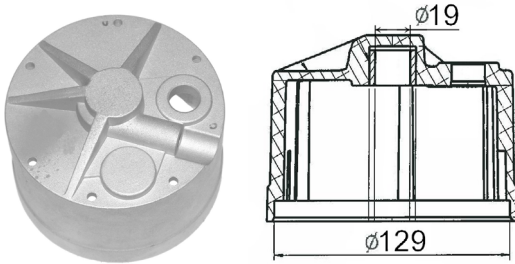
OE PN./Lester :	M165102567
For :	ME
Mating :	
Weight (kg):	4.30
Used on:	
NOTE:	



**LK-313**

Shift lever Housing

OE PN./Lester :	M165225335/P
For :	ME
Mating :	
Weight (kg):	4.30
Used on:	
NOTE:	



**PRS-026**

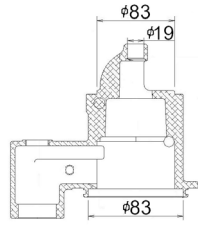
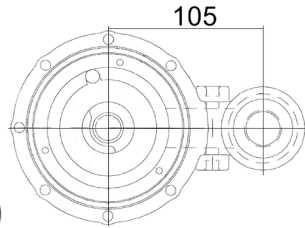
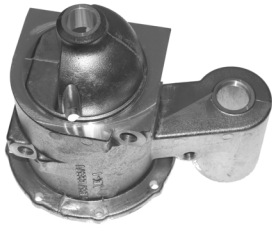
C.E Housing

OE PN./Lester :	M011102559
For :	ME
Mating :	
Weight (kg):	0.78
Used on:	
NOTE:	



# PRESTOLITE STARTER

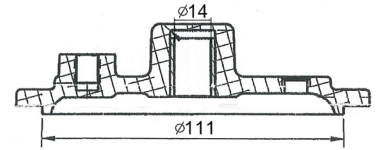
MFY



## PRS-003

D.E. Housing

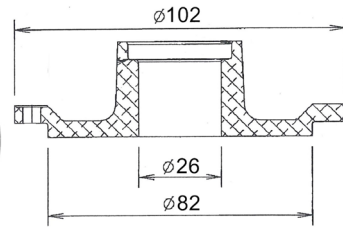
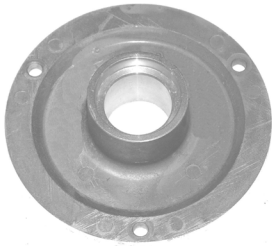
OE PN./Lester :	M014102573/P
For :	MFY
Mating :	
Weight (kg):	1.66
Used on:	
NOTE:	



## PRS-004

Comm Endhead

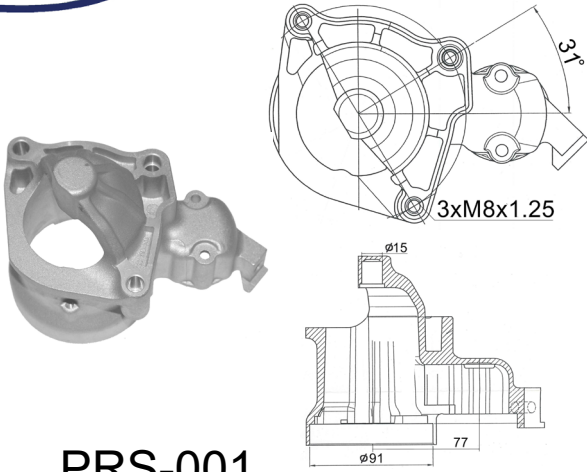
OE PN./Lester :	MFY-102A
For :	MFY
Mating :	
Weight (kg):	0.28
Used on:	
NOTE:	



## PRS-005

Comm Endhead

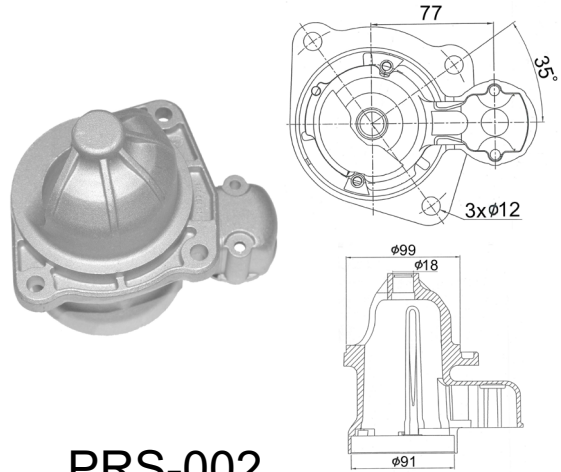
OE PN./Lester :	MFY-130
For :	MFY
Mating :	
Weight (kg):	0.16
Used on:	
NOTE:	



**PRS-001**

D.E. Housing

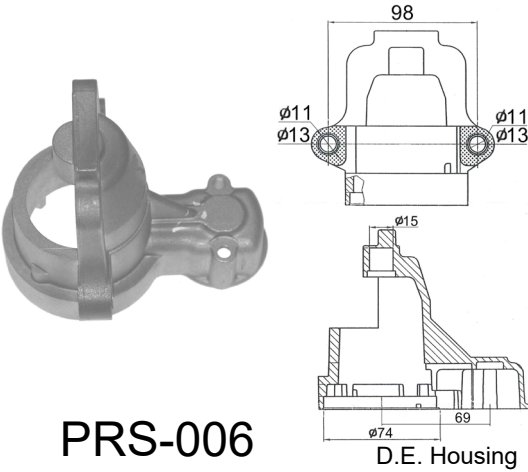
OE PN./Lester :	35262307
For :	
Mating :	
Weight (kg):	0.74
Used on:	
NOTE:	



**PRS-002**

D.E. Housing

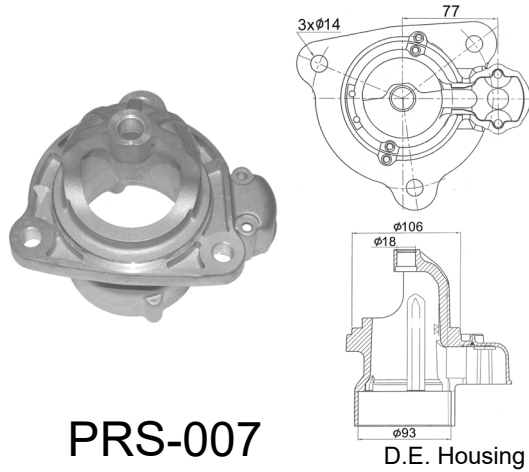
OE PN./Lester :	35262467
For :	
Mating :	
Weight (kg):	0.82
Used on:	
NOTE:	



**PRS-006**

D.E. Housing

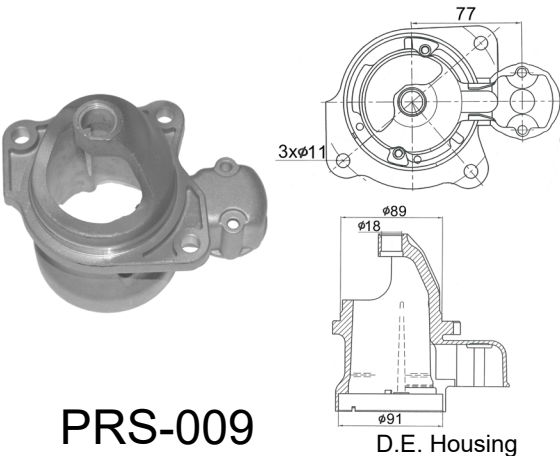
OE PN./Lester :	35262472
For :	
Mating :	
Weight (kg):	0.41
Used on:	
NOTE:	



**PRS-007**

D.E. Housing

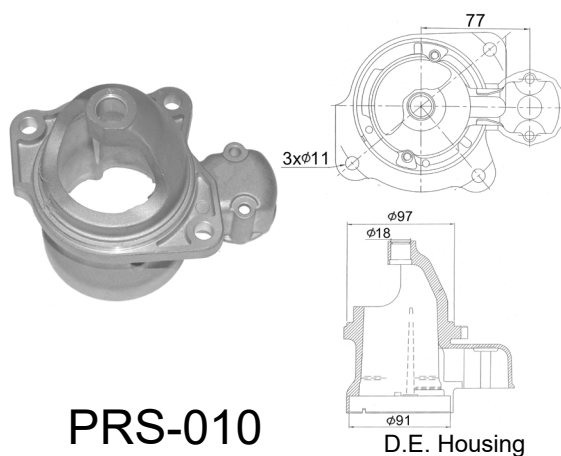
OE PN./Lester :	35262514
For :	
Mating :	
Weight (kg):	1.18
Used on:	
NOTE:	



**PRS-009**

D.E. Housing

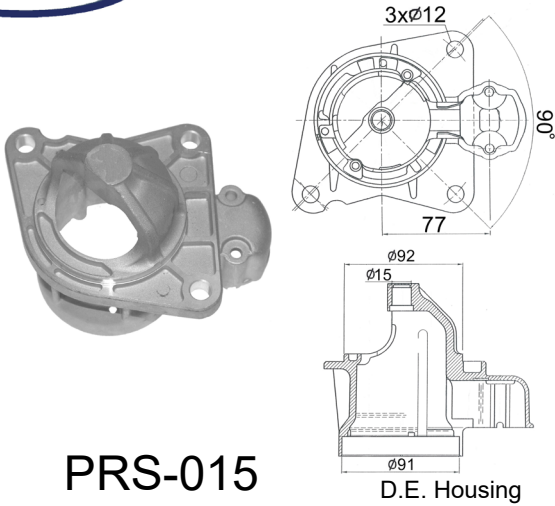
OE PN./Lester :	35262584
For :	
Mating :	
Weight (kg):	0.77
Used on:	
NOTE:	



**PRS-010**

D.E. Housing

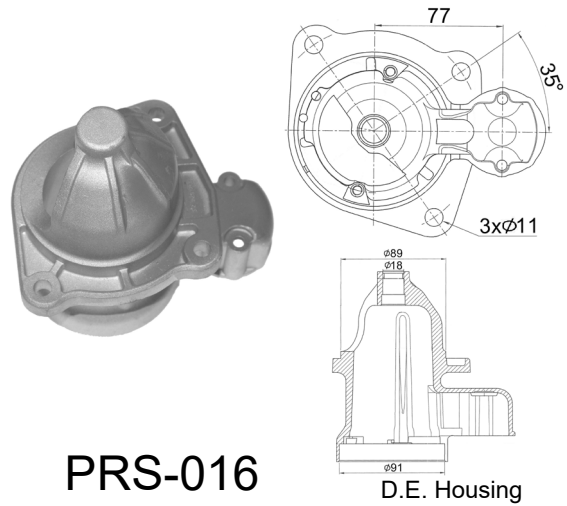
OE PN./Lester :	35262515
For :	
Mating :	
Weight (kg):	0.77
Used on:	
NOTE:	



**PRS-015**

D.E. Housing

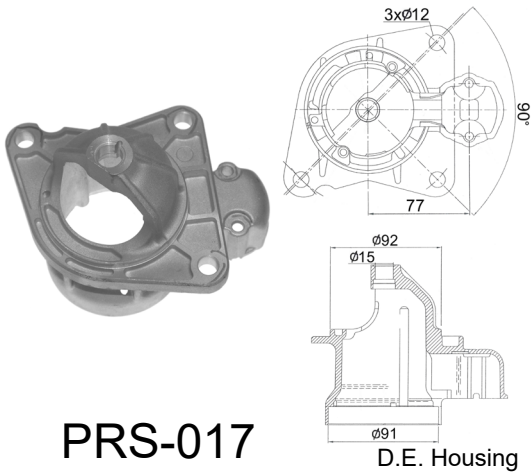
OE PN./Lester :	35262698
For :	
Mating :	
Weight (kg):	0.76
Used on:	
NOTE:	



**PRS-016**

D.E. Housing

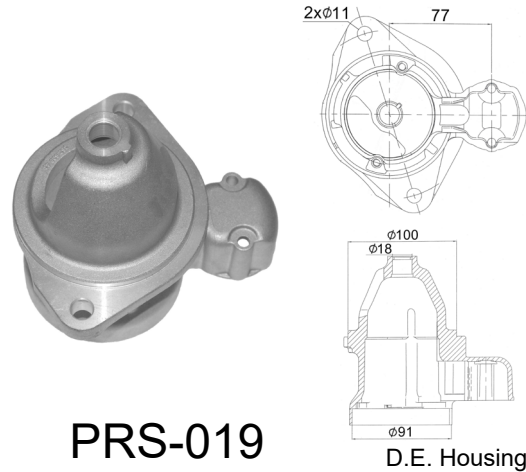
OE PN./Lester :	35262626
For :	
Mating :	
Weight (kg):	0.82
Used on:	
NOTE:	



**PRS-017**

D.E. Housing

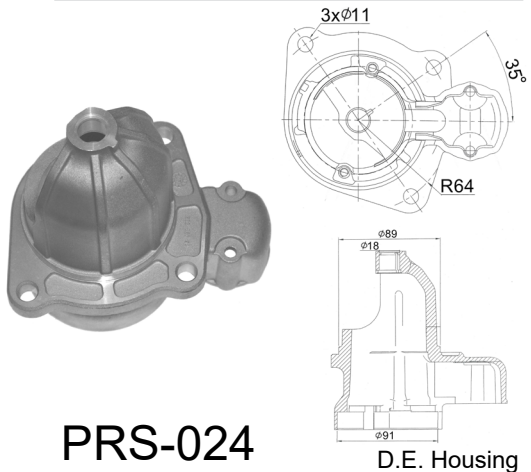
OE PN./Lester :	35262638
For :	
Mating :	
Weight (kg):	0.75
Used on:	
NOTE:	



**PRS-019**

D.E. Housing

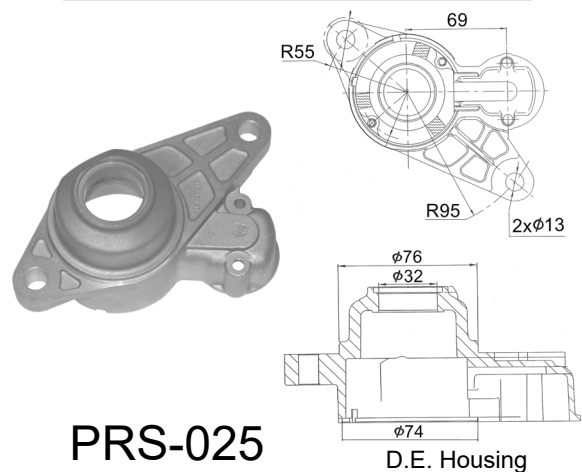
OE PN./Lester :	35262733
For :	
Mating :	
Weight (kg):	0.82
Used on:	
NOTE:	



**PRS-024**

D.E. Housing

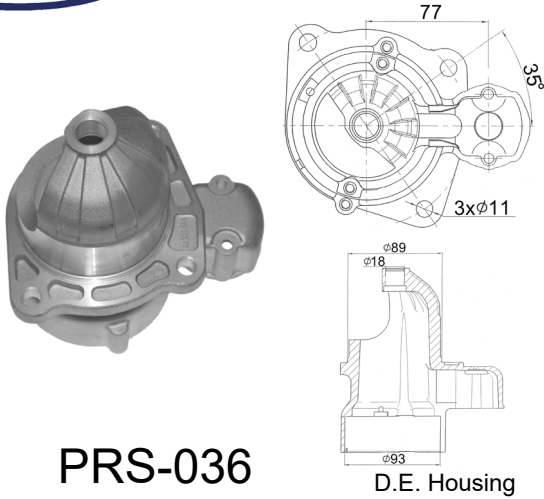
OE PN./Lester :	35262728
For :	
Mating :	
Weight (kg):	0.81
Used on:	
NOTE:	



**PRS-025**

D.E. Housing

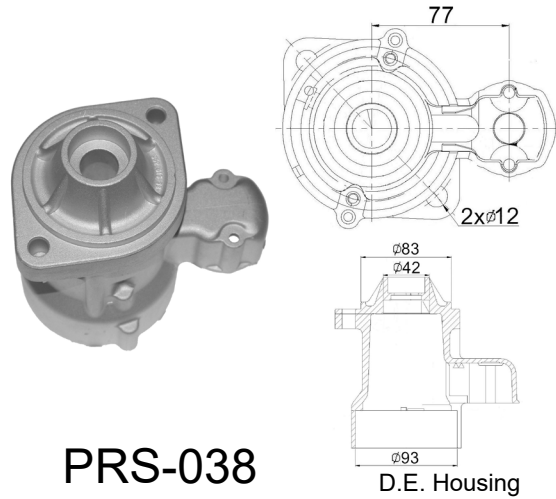
OE PN./Lester :	35262616
For :	
Mating :	
Weight (kg):	0.44
Used on:	
NOTE:	



**PRS-036**

D.E. Housing

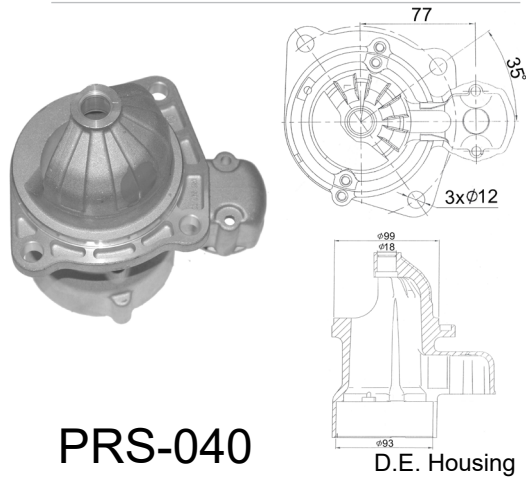
OE PN./Lester :	35262823
For :	
Mating :	
Weight (kg):	0.92
Used on:	
NOTE:	



**PRS-038**

D.E. Housing

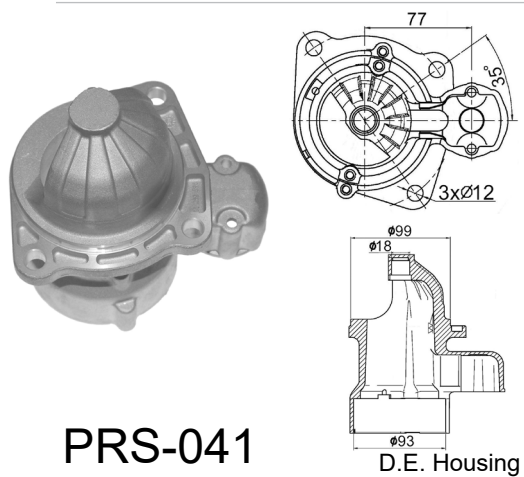
OE PN./Lester :	35262903
For :	
Mating :	
Weight (kg):	0.81
Used on:	
NOTE:	



**PRS-040**

D.E. Housing

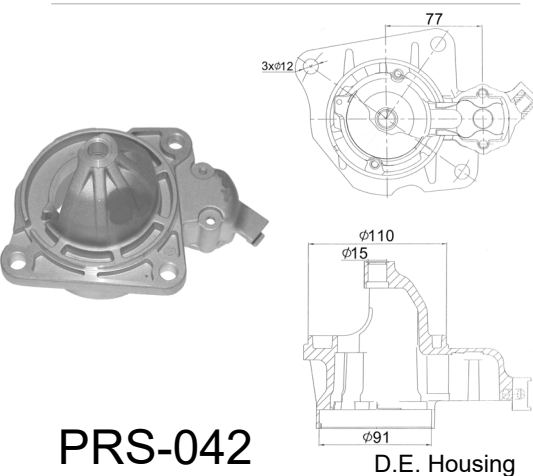
OE PN./Lester :	35262888
For :	
Mating :	
Weight (kg):	0.92
Used on:	
NOTE:	



**PRS-041**

D.E. Housing

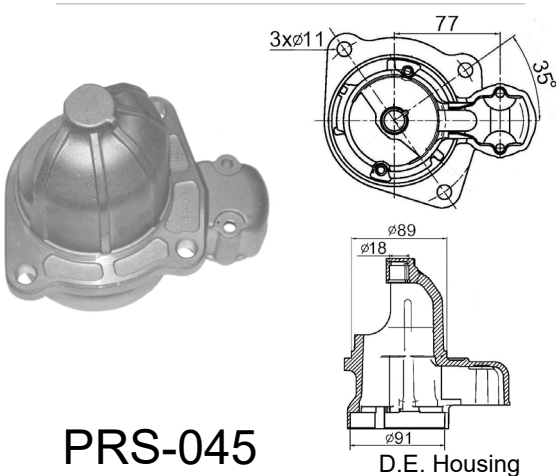
OE PN./Lester :	35262969
For :	
Mating :	
Weight (kg):	0.92
Used on:	
NOTE:	



**PRS-042**

D.E. Housing

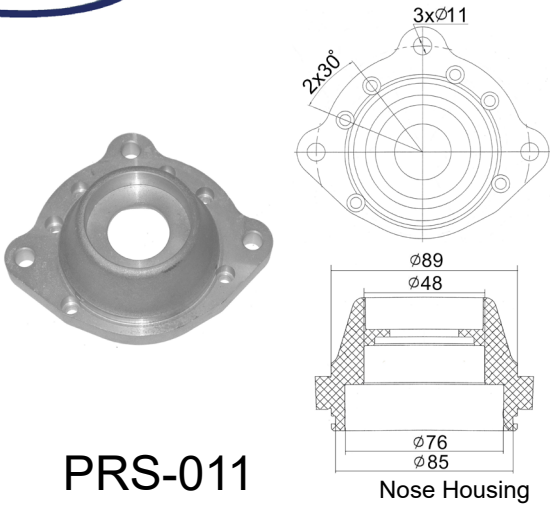
OE PN./Lester :	35262884
For :	
Mating :	
Weight (kg):	0.78
Used on:	
NOTE:	



**PRS-045**

D.E. Housing

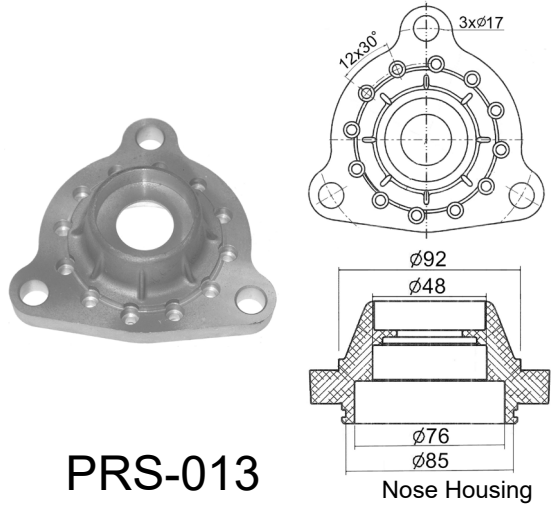
OE PN./Lester :	35262982
For :	
Mating :	
Weight (kg):	0.78
Used on:	
NOTE:	The same casting as PRS-024



**PRS-011**

Nose Housing

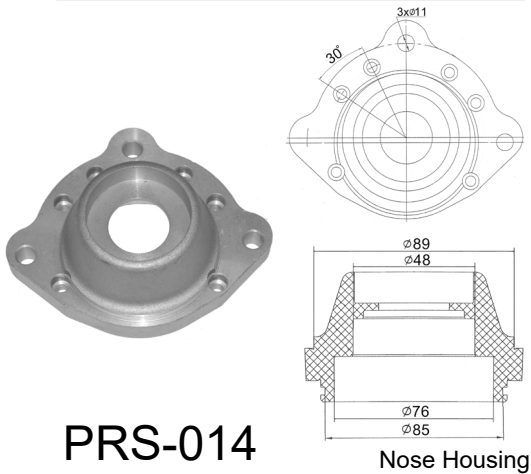
OE PN./Lester :	M005104608
For :	
Mating :	
Weight (kg):	0.55
Used on:	
NOTE:	



**PRS-013**

Nose Housing

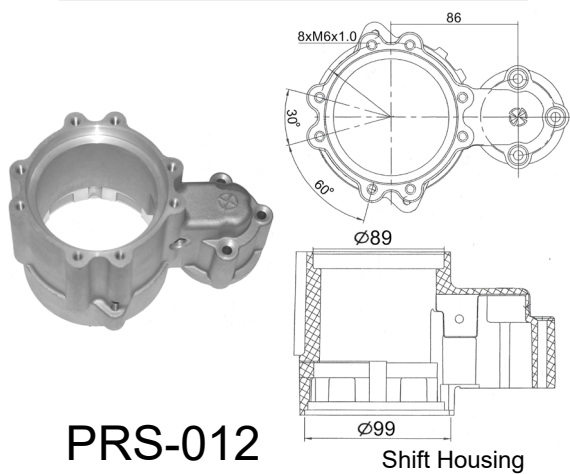
OE PN./Lester :	M005104603
For :	
Mating :	
Weight (kg):	0.65
Used on:	
NOTE:	



**PRS-014**

Nose Housing

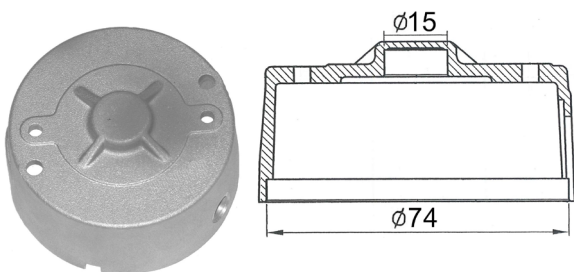
OE PN./Lester :	M005104609
For :	
Mating :	
Weight (kg):	0.55
Used on:	
NOTE:	



**PRS-012**

Shift Housing

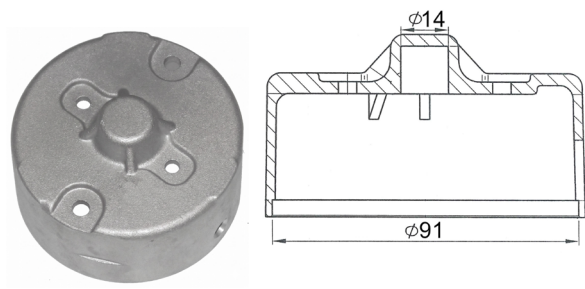
OE PN./Lester :	M165104601
For :	
Mating :	
Weight (kg):	1.13
Used on:	
NOTE:	



**PRS-008**

C.E. Frame

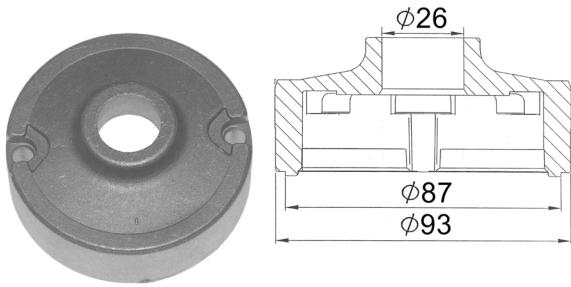
OE PN./Lester :	35262627
For :	
Mating :	
Weight (kg):	0.09
Used on:	
NOTE:	



**PRS-020**

C.E. Frame

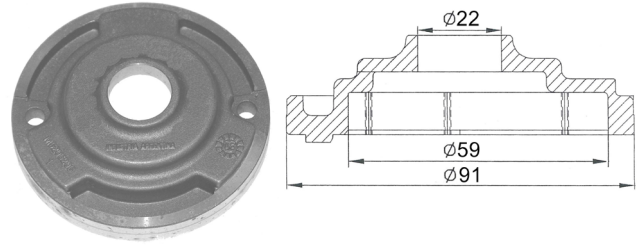
OE PN./Lester :	35262712
For :	
Mating :	
Weight (kg):	0.16
Used on:	
NOTE:	



## PRS-022

C.E. Frame

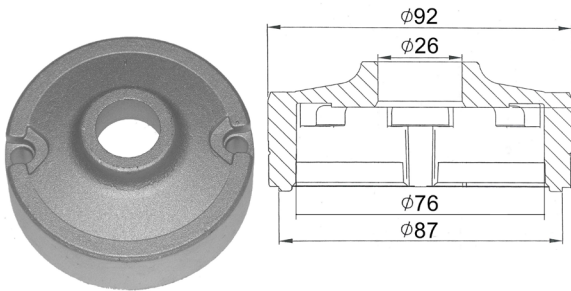
OE PN./Lester :	35262714
For :	
Mating :	
Weight (kg):	0.25
Used on:	
NOTE:	



## PRS-023

C.E. Frame

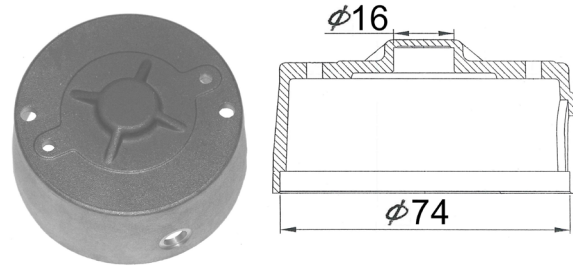
OE PN./Lester :	35262724
For :	
Mating :	
Weight (kg):	0.12
Used on:	
NOTE:	



## PRS-030

C.E. Frame

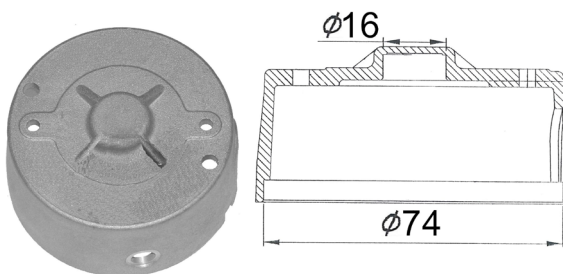
OE PN./Lester :	35262715
For :	
Mating :	
Weight (kg):	0.24
Used on:	
NOTE:	The same casting as PRS-022



## PRS-031

C.E. Frame

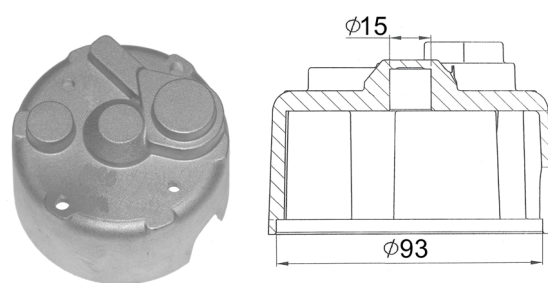
OE PN./Lester :	35262739
For :	
Mating :	
Weight (kg):	0.09
Used on:	
NOTE:	



## PRS-032

C.E. Frame

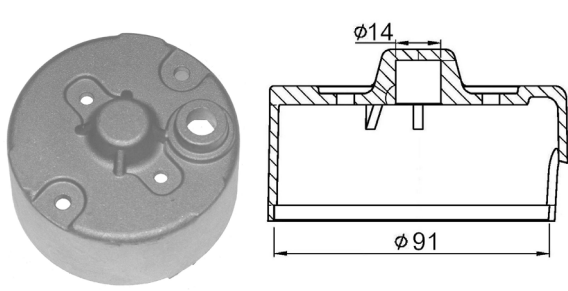
OE PN./Lester :	35262742
For :	
Mating :	
Weight (kg):	0.09
Used on:	
NOTE:	The same casting as PRS-031



## PRS-037

C.E. Frame

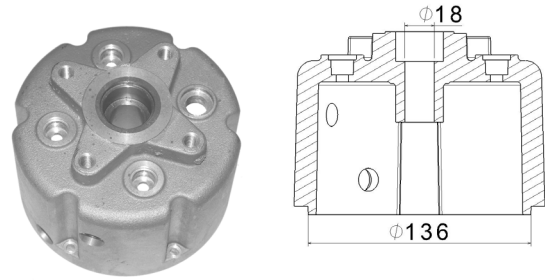
OE PN./Lester :	35262873
For :	
Mating :	
Weight (kg):	0.23
Used on:	
NOTE:	



## PRS-046

C.E. Frame

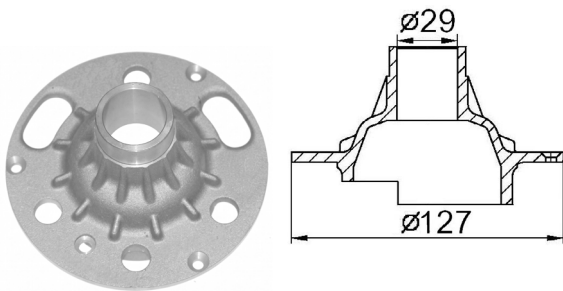
OE PN./Lester :	35262735
For :	
Mating :	
Weight (kg):	0.17
Used on:	
NOTE:	



## PRS-034

End Shield

OE PN./Lester :	6366-77
For :	
Mating :	
Weight (kg):	1.69
Used on:	
NOTE:	



## PRS-035

Center Bearing

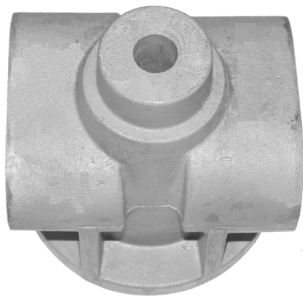
OE PN./Lester :	6366-85
For :	
Mating :	
Weight (kg):	0.26
Used on:	
NOTE:	



## PRS-048

End-Cover

OE PN./Lester :	526-721
For :	
Mating :	
Weight (kg):	0.69
Used on:	
NOTE:	



## PRS-049

Starter Housing

OE PN./Lester :	526-113
For :	
Mating :	
Weight (kg):	2.69
Used on:	
NOTE:	